

Please open all cartons immediately to ensure all material is on-site and undamaged.  
Any claims must be filed within 15 days of receipt of product.

### Please read all assembly and installation instructions of Feelux products

1. Before attempting to install or use fixture, read and understand the following installation instructions and safety labels.
2. If you have any questions, please contact Feelux Lighting Technical Support at:
  - a. 678 668 7005 ext. 113 or techsupport@feeluxlighting.com
3. Feelux product must be installed by a licensed electrician in accordance with all National and Local Electrical and Construction Codes and Regulations.
4. Verify electrical plan.
5. Ensure the main power supply is off before installing or wiring fixtures.
6. Do not install a fixture if the unit, lens, housing or power cables are damaged.
7. Fixtures have no serviceable parts.
8. Do not use a fixture or driver for any voltage for which it is not rated.
9. Do not exceed the specified voltage, current or wattage for any fixture or driver
10. Feelux Lighting FLX Stix complies with Part 15 of the FCC rules. Class B Digital Apparatus complies with Canadian ICES-003.
11. Confirm that Driver/Transformer is compatible with fixtures and proposed dimming control system.
12. IMPORTANT NOTE-FLX STIX MonoRail REQUIRES BREAK IN MONORAIL AND A POWER FEED AFTER 96W LOAD ON RAIL

### Feelux Lighting MonoRail Installation Instructions

1. Feelux FLX Stix MonoRail product requires a power feed for every 96W.
  - a. Side Feed units can be used for continuous, uninterrupted installation of lighting.
  - b. Side Feed units have factory installed power cable.
  - c. MonoRail requires break before addition of new power feed.
2. Splicing: MNRPC and Side Feed Power Cables are 8'.
  - a. If remote mount driver/power option is used
    1. Contractor to provide low voltage wire from driver/transformer to Power Cable.
  - b. Contractor must test for 24V signal at all splice points.
  - c. Polarity must be followed and is:

Lead: Gray Striped -Negative	Lead: ++++++ -Negative
Lead: White Wire -Positive	Lead: XXXXXXX -Positive
3. Feelux PTC Connecting Cables (Jumpers) cannot be modified.
4. Standard lens must be removed prior to replacement with optional (RM, SM) Spot Free lens covers and End caps must be used.
5. Monorail Spots: To focus/adjust, please loosen head – aim and tighten. **DO NOT FORCE UNIT.**

**CAUTION: DO NOT EXCEED RATED WATTAGE OF PRODUCT OR DRIVER AT ANY TIME**

### Approved Drivers and Transformer

The Drivers and Transformers listed below are approved for the Feelux FLX Stix Series:

- Feelux FLC, FLE, XLD and XLAV Series Drivers
- Meanwell
- Lutron
- Justin and Q-Tran: Please consult factory for availability.
- Please note when dimming that DC + Cap is required. Please check with factory.
- Please consult Feelux for additional power supply, driver and transformer options.

**Please note that for FLC and XLD75, the FDC-L10 dimming interface is required. Please check with Feelux Lighting for additional Driver/Power Supply options. Using unapproved Driver/Power Supply may void warranty.**

### Tips

1. Make certain all surfaces are free of dirt and debris prior to Installation.
2. Snap fixtures firmly onto rail to ensure proper connection.
3. Fixtures can be locked in place after Installation.
4. Use mounting brackets for proper alignment.
5. After installation remove/blow off all construction dust and debris.
6. Fixtures must be protected from paint and paint splatter.
7. When using optional Spot Free lenses
  - a. For straight runs, ensure there are no gaps between the lens. They should meet end to end.
  - b. End cap must be used to keep out dust and debris out of the fixture.
8. Monorail Spots: To focus/adjust, please loosen head – aim and tighten. **DO NOT FORCE UNIT.**

### Troubleshooting

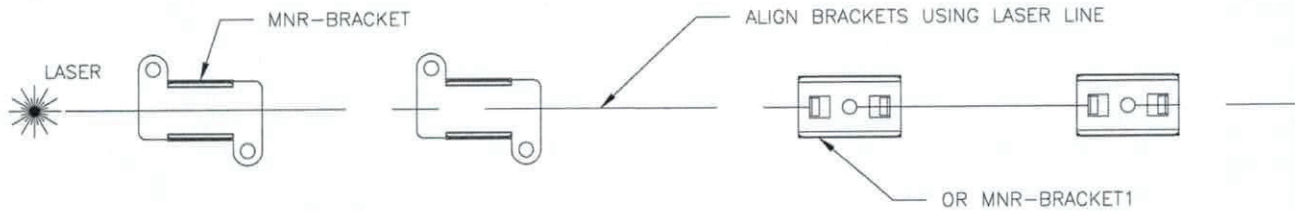
1. Check electrical and mechanical connections points.
2. Verify that fixtures are firmly snapped onto power track.
3. Is the fixture run over the maximum wattage/maximum run length?
4. Is the wattage exceeded for the driver?
5. Verify that polarity was followed if power cord spliced.
6. Check for voltage drop.
7. Is the correct driver being used for the dimming control?

**CAUTION: DO NOT EXCEED RATED WATTAGE OF PRODUCT OR DRIVER AT ANY TIME**

**Mounting and Mounting Hardware**

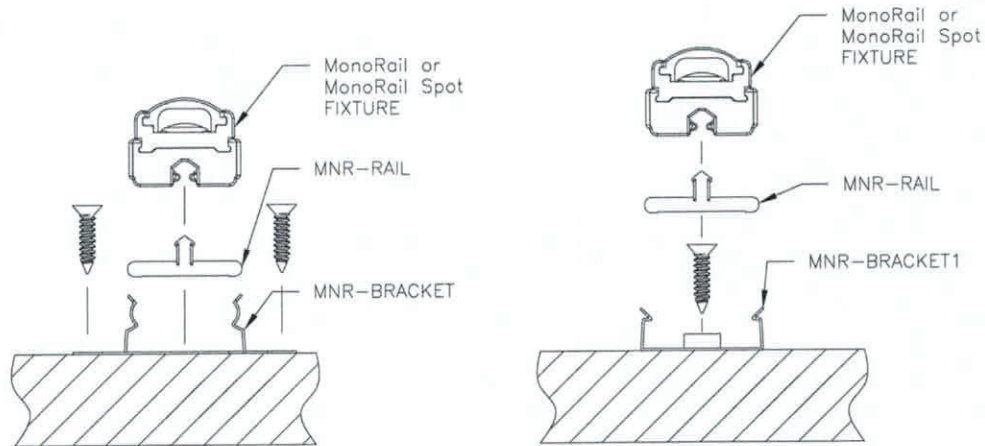
Fix Stix MonoRail is shipped with Standard Mounting Brackets.  
Narrow mounting brackets are available from factory as an accessory.

**Align all brackets using laser line**



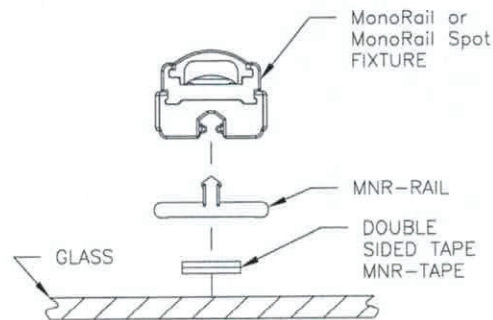
**Mounting Option: Standard Brackets**

1. Assemble fixtures
2. Align / Install Brackets using laser line
3. Snap MNR-RAIL into brackets
4. Snap fixtures onto MNR-RAIL



**Mounting Option: Tape Mounting**  
to be used **ONLY** on glass surfaces.  
**ONLY** on horizontal positions.

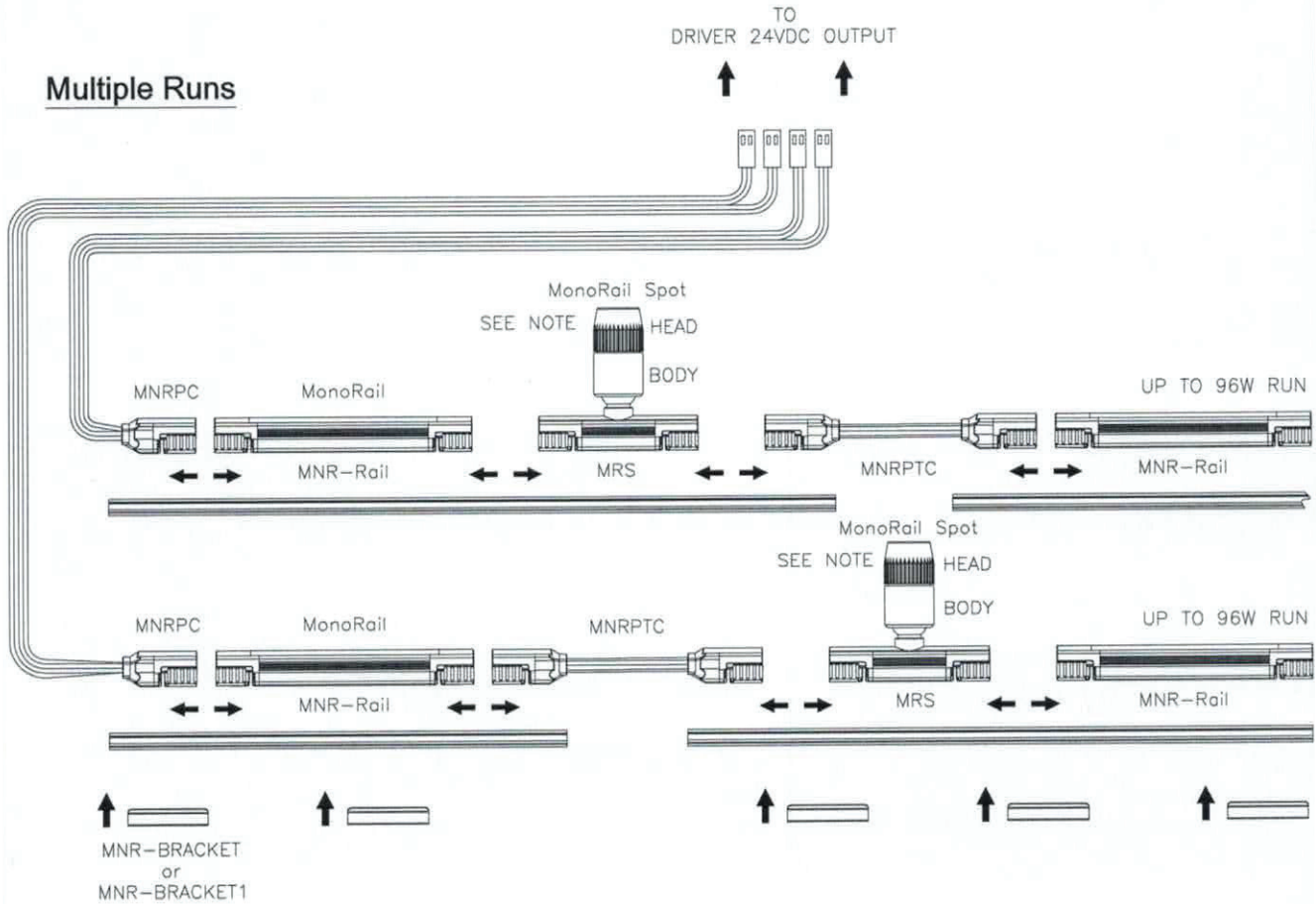
1. Place Tape on back of MNR-RAIL
2. Peel off double stick tape
3. Holding the MNR-RAIL press the exposed tape side to the glass surface
4. Snap fixture onto MNR-RAIL



Connecting Fixtures:

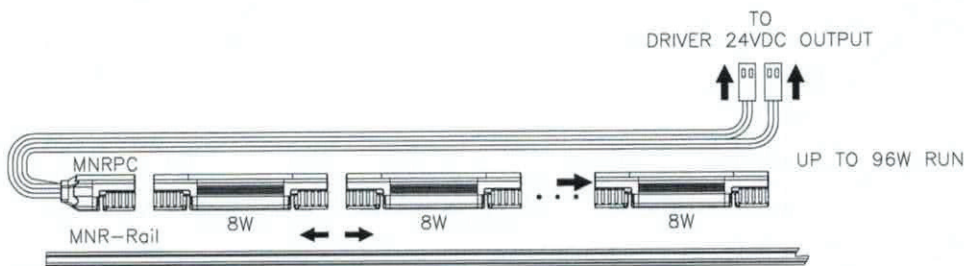
Mono-Rail can run up to 96 Watts in one run.  
At 96W load a break in the rail is required.

Multiple Runs



**NOTE:** Focus/adjust product by loosening head, adjust and tighten  
**Warning:** Do not attempt to force body to twist.

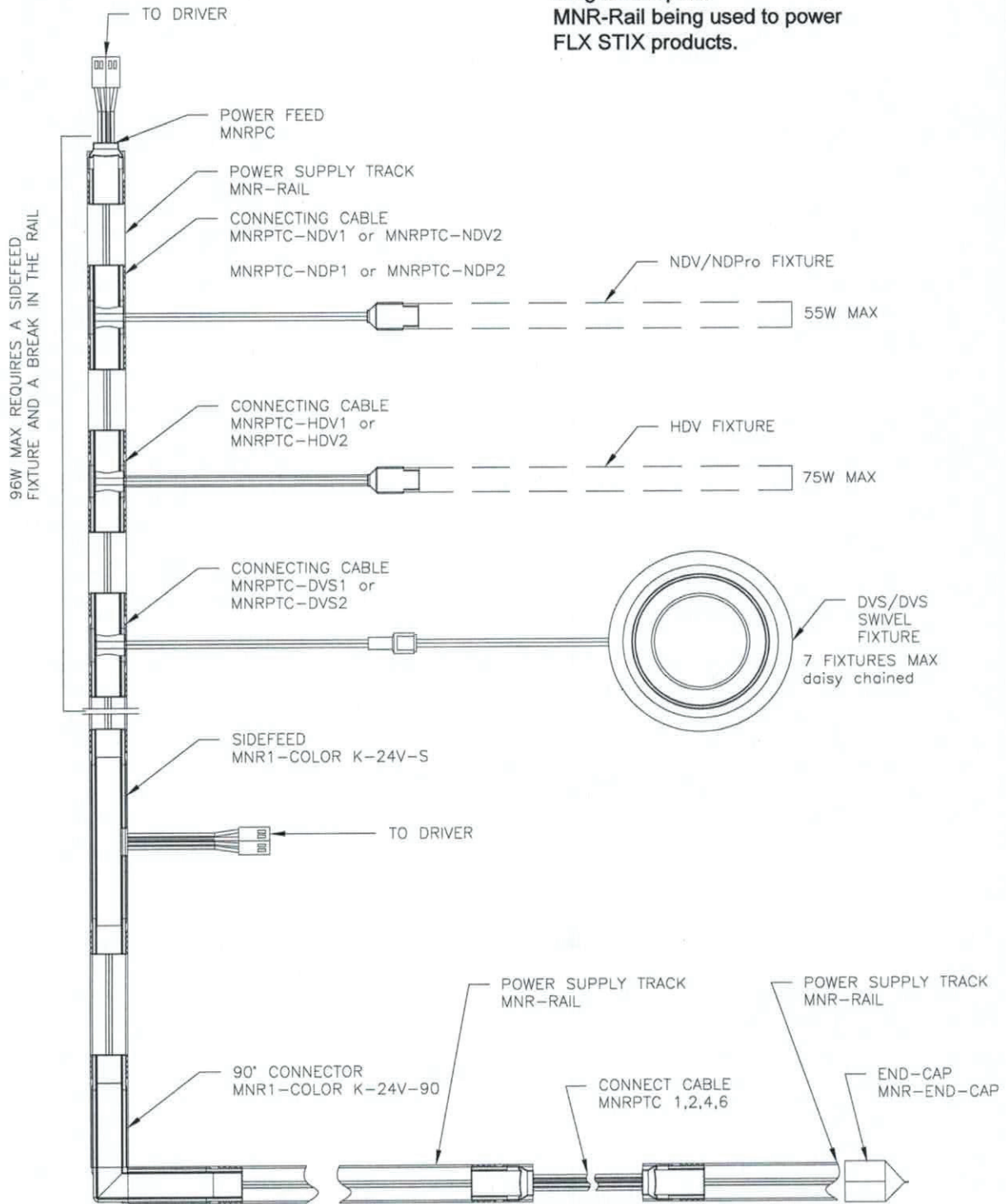
Continuous Runs



**CAUTION: DO NOT EXCEED RATED WATTAGE OF PRODUCT OR DRIVER AT ANY TIME**

**Connecting Accessories :**

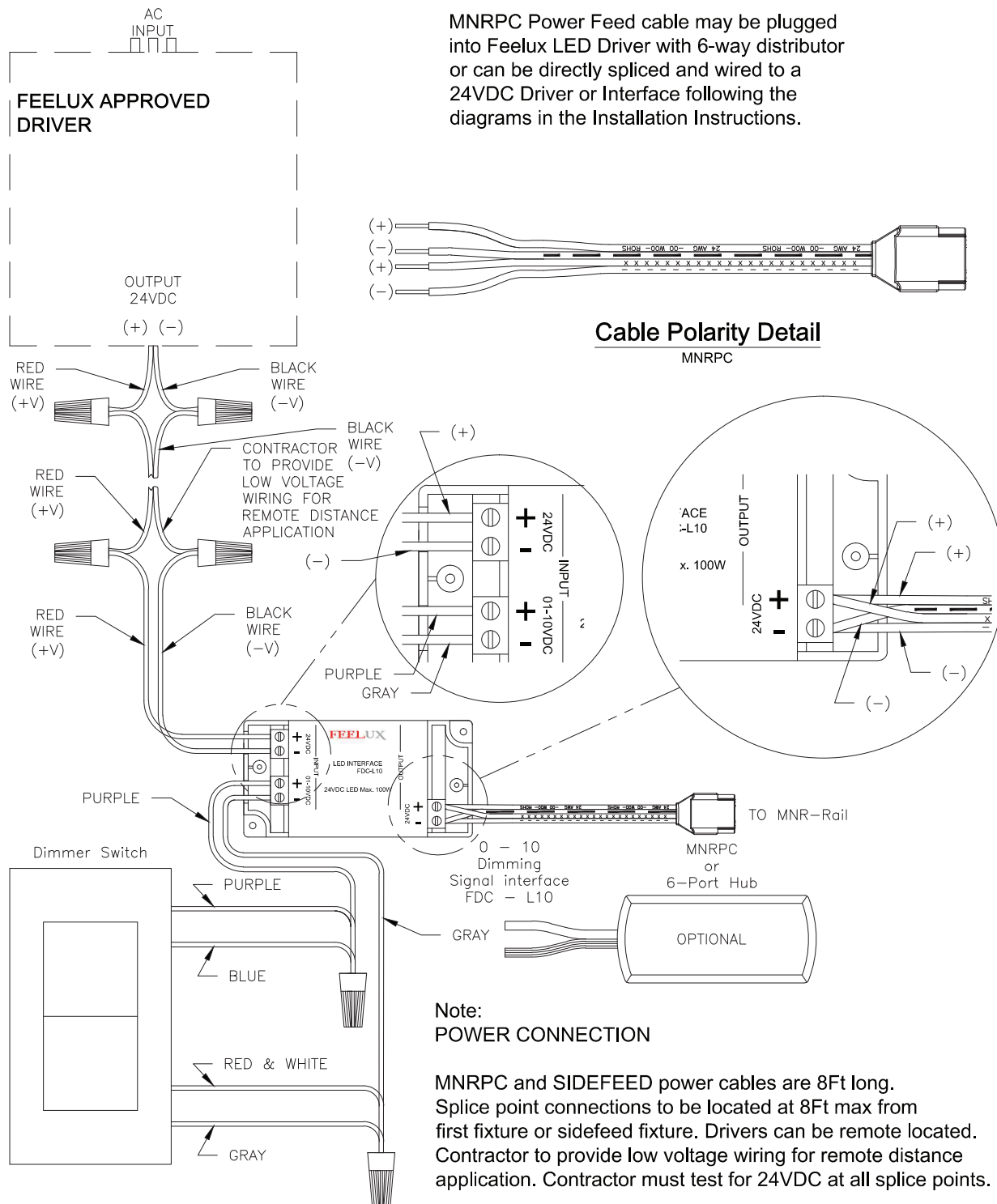
Diagram Depicts  
MNR-Rail being used to power  
FLX STIX products.



**CAUTION: DO NOT EXCEED RATED WATTAGE OF PRODUCT OR DRIVER AT ANY TIME**

**Driver and Fixture Installation 0 - 10V DIMMING**

MNRPC Power Feed cable may be plugged into Feelux LED Driver with 6-way distributor or can be directly spliced and wired to a 24VDC Driver or Interface following the diagrams in the Installation Instructions.



**Note:  
POWER CONNECTION**

MNRPC and SIDEFEED power cables are 8Ft long. Splice point connections to be located at 8Ft max from first fixture or sidefeed fixture. Drivers can be remote located. Contractor to provide low voltage wiring for remote distance application. Contractor must test for 24VDC at all splice points.

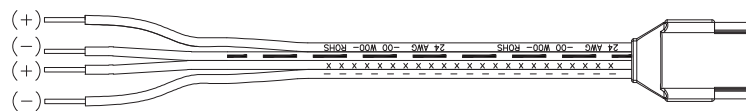
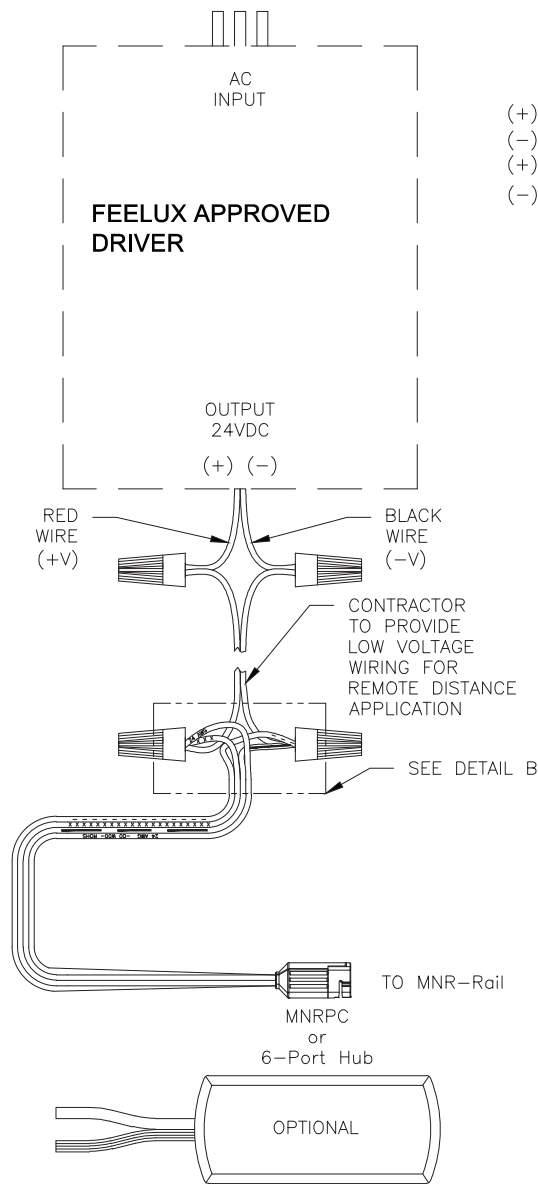
**CAUTION: DO NOT EXCEED RATED WATTAGE OF PRODUCT OR DRIVER AT ANY TIME**

**Driver and Fixture Installation, ON-OFF; Phase Dimming**

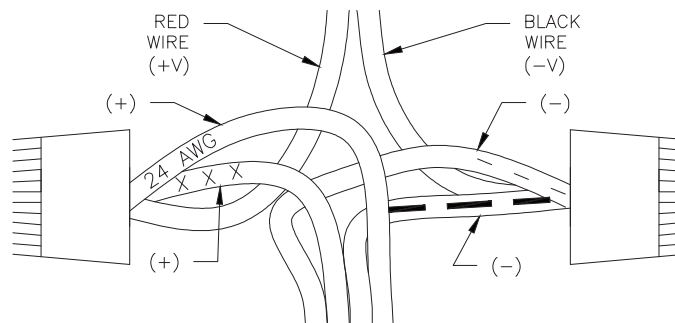
Feelux XLAV80-124V-SSB provides ELV and MLV dimming options. Justin dims via MLV. Please consult Feelux Lighting for other options.

**Note:  
POWER CONNECTION**

MNRPC and SIDEFEED power cables are 8Ft long. Splice point connections to be located at 8Ft max from first fixture or sidefeed fixture. Drivers can be remote located. Contractor to provide low voltage wiring for remote distance application. Contractor must test for 24VDC at all splice points.



**Cable Polarity Detail**  
MNRPC



**Detail B**  
MNRPC WIRING  
TO Driver

MNRPC Power Feed cable may be plugged into Feelux LED Driver with 6-way distributor or can be directly spliced and wired to a 24VDC Driver or Interface following the diagrams in the Installation Instructions.

**CAUTION: DO NOT EXCEED RATED WATTAGE OF PRODUCT OR DRIVER AT ANY TIME**

**Feelux Voltage Drop Chart**

Feelux FLX Stix 24V Products: Maximum Distance per Wire AWG

Driver	18 AWG	16 AWG	14 AWG	12 AWG
--------	--------	--------	--------	--------

**Feelux Cord and Plug Drivers**

FLC30-24V/XL	12'	15'	20'	20'
FLC75-24V/XL	12'	15'	20'	20'

**Approved Remote Mounted Drivers and Transformers**

XLD75-124V-FC	25'	50'	75'	100'
XLD200-224V-FCL-DIM	25'	50'	75'	100'
XLAV80(L)-124V-SSB	25'	50'	75'	100'
Justin	25'	50'	75'	100'
Other Approved Units	25'	50'	75'	100'

\* NOTE: Before attempting to install or use fixtures, read and understand the installation instructions and safety labels. If you have any questions, please contact Feelux Lighting Technical Support at 678.668.7005 ext. 113. Feelux products must be installed by a qualified electrician in accordance with all national and local electrical and construction codes and regulations.