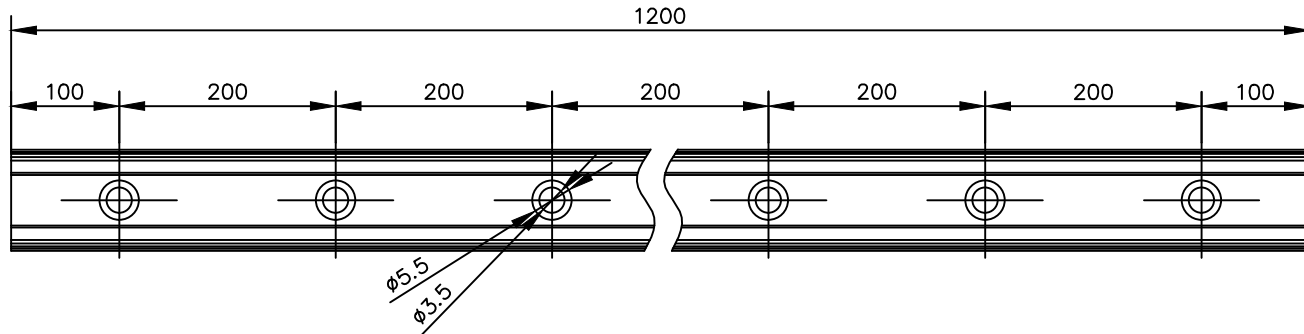
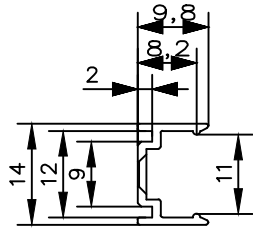


MECHANICAL AND INDUSTRIAL DESIGN  
CONFIDENTIAL FOR INTERNAL USE ONLY

PLASTIC TOLERANCE TABLE	
LINEAR TOLERANCE(MM)	
0 TO 0.5	±0.05
OVER 0.5 TO 30	±0.1
OVER 30 TO 120	±0.15
OVER 120 TO 400	±0.2
OVER 400 TO 1000	±0.3
OVER 1000 TO 2000	±0.5
ANGULAR TOLERANCE	
ALL ANGLE	±1

REVISION			
REV	DESCRIPTION	APPROVED BY	DATE
1.0	NEW DESIGN	L.S.H	2019.05.02



NO	PART NUMBER	Q'TY	SPECIFICATION	MATERIAL	FINISHING/COLOR	REMARKS
PART INFORMATION						

PROJECTION THIRD ANGLE		UNIT MM	A3	MATERIAL	MODEL:
DRAWN		CHECKED	APPROVED	FINISHING/COLOR	CODE NUMBER:
DESIGNED				SILVER/ANODIZING	
				SCALE	PART DESCRIPTION:
				1:1	EXTRUSION(1200)
				SHEET	DRAWING/PART NUMBER:
				1 OF 1	ME12LC440005
					REV:
					1.0

THIS DRAWING IS PROPERTY OF FEELUX.  
USE OR COPY OF THIS DRAWING WITHOUT PROPER PERMISSION FROM THE APPROPRIATE TECHNICAL-DOCUMENT MANAGING DEPARTMENT IS PROHIBITED.

