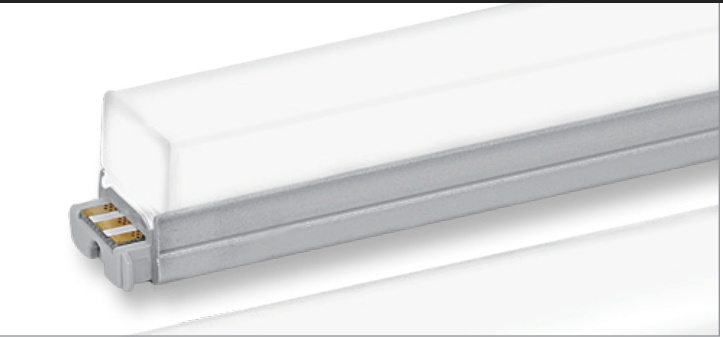


ACTUAL SIZE



PRODUCT FEATURES

- Seamless Illumination. No Dark Spots
- Ultra Slim Profile
- Even Surface Illumination
- Spot Free Lens Options
- Multiple Lengths for Easy Configuration
- End to End Snap-In Connection
- Dimmable with 0-10V, Forward/Reverse Phase. Other Options Available
- Side-Feed Units for Long Continuous Runs
- Quick Ship Available*

PRODUCT SPECIFICATIONS

- 24VDC Constant Voltage Feelux or Approved Class 2 Drivers
- Operating Temperature: 32-113°F (0-45°C)
- Lamp Life: 40,000 hrs L70
- Available Color: 2700K, 3000K, 3500K, 4000K, 6000K*
- CRI/Ra > 85
- 75 lm/W - 6.3W/ft - 472 lm/ft
- IP20 – Damp Location/Closet Approved
- Beam Angle: 95° / Round and Square Lens - 220°
- Finish: Aluminum
- 5 year Warranty
- Product is approved for Closet/Storage space installation per NEC410.16 (A) (3) and NEC410.16 (C)(5) per NRTL certification

* Pending factory availability

DIMENSIONS



FLX Stix HDV 3W 5.7" (145mm)



FLX Stix HDV 6W 11.22" (285mm)



FLX Stix HDV 12W 22.25" (565mm)

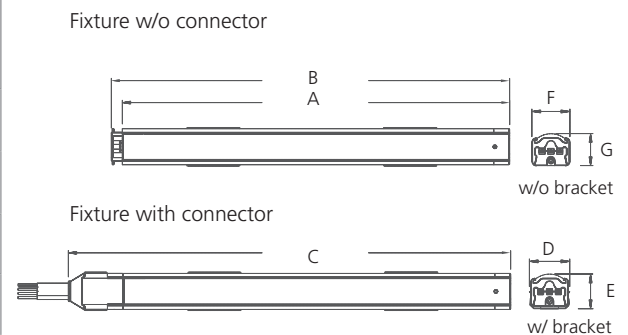


FLX Stix HDV 18W 33.27" (845mm)

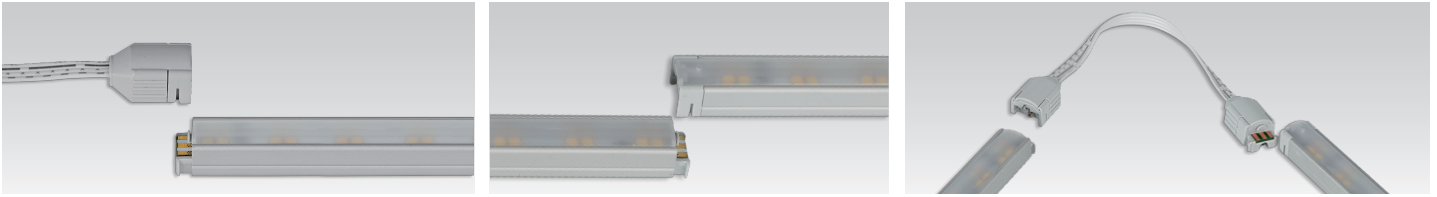


FLX Stix HDV 24W 44.21" (1123mm)

Model Number	Voltage Input (V)	Power Input (W)	A inches (mm)	B inches (mm)	C inches (mm)	D inches (mm)	E inches (mm)	F inches (mm)	G inches (mm)
HDV3-(Color)K-24V	DC 24	2.9	5.5" (140)	5.7" (145)	6.37" (162)	.63" (16)	.55" (14)	.59" (15)	.49" (12.5)
HDV6-(Color)K-24V	DC 24	5.8	11" (280)	11.2" (285)	11.8" (302)	.63" (16)	.55" (14)	.59" (15)	.49" (12.5)
HDV12-(Color)K-24V	DC 24	11.6	22" (560)	22.2" (565)	22.9" (582)	.63" (16)	.55" (14)	.59" (15)	.49" (12.5)
HDV18-(Color)K-24V	DC 24	17.4	33" (840)	33.2" (845)	33.9" (862)	.63" (16)	.55" (14)	.59" (15)	.49" (12.5)
HDV24-(Color)K-24V	DC 24	23.2	44" (1118)	44.2" (1123)	44.9" (1140)	.63" (16)	.55" (14)	.59" (15)	.49" (12.5)

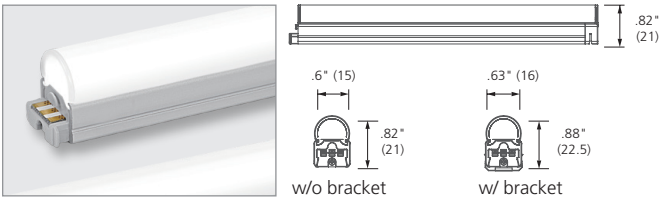


EASY CONNECTION

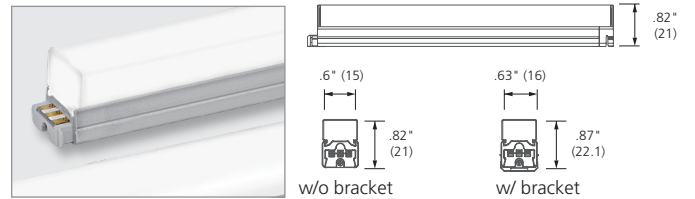


DIFFUSERS

Round Diffuser (optional spot free lens)*



Square Diffuser (optional spot free lens)*

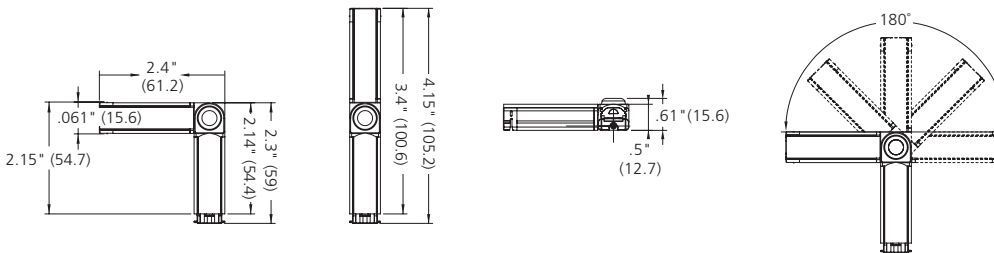


* Not available for Flexible Connecting Fixture

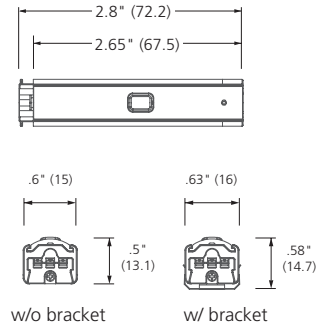
FLEXIBLE CONNECTING FIXTURE



* Flexible connector

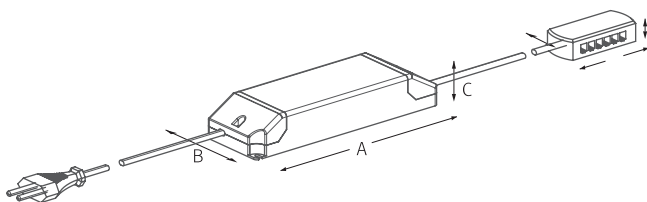


INLINE DIMMER



LED DRIVER OPTIONS

Consult factory for additional options.

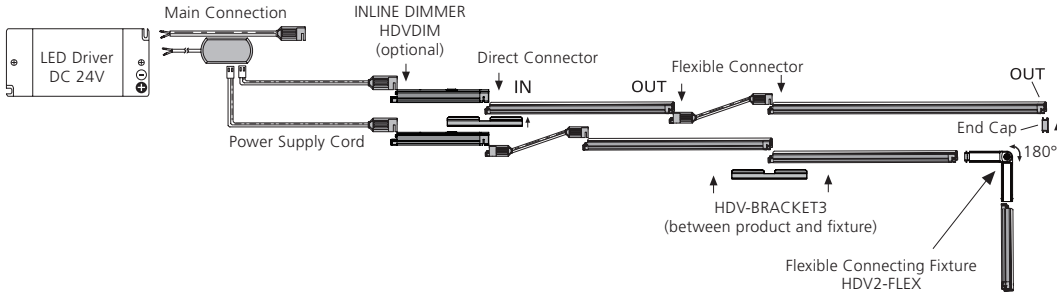


Model Number	A inches (mm)	B inches (mm)	C inches (mm)
FLC30-24V/XL	5.9" (150)	1.6" (41)	1.22" (31)
FLC75-24V/XL	7.08" (180)	2.36" (60)	1.25" (32)
XLD75-124V-FC	11.22" (285)	2.94" (74.7)	1.63" (41.5)
XLD200-224V-FCL-DIM	12.28" (312)	4.46" (113.5)	2.28" (60.5)
XLAV80(L)-124V-SSB	14.4" (366)	4.48" (124)	1.7" (43)

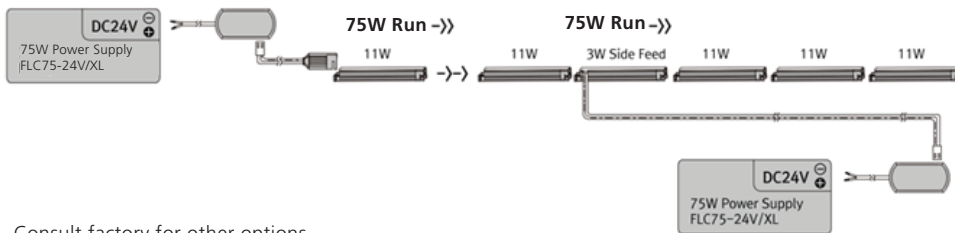
CONNECTION

NO RUN TO EXCEED 75W

IF LONGER RUNS ARE REQUIRED USE SIDE FEED UNIT HDV3-(COLOR)K-24V-S TO CONTINUE SEAMLESS LIGHTING. NOT TO EXCEED 90% OF DRIVER RATED WATTAGE.

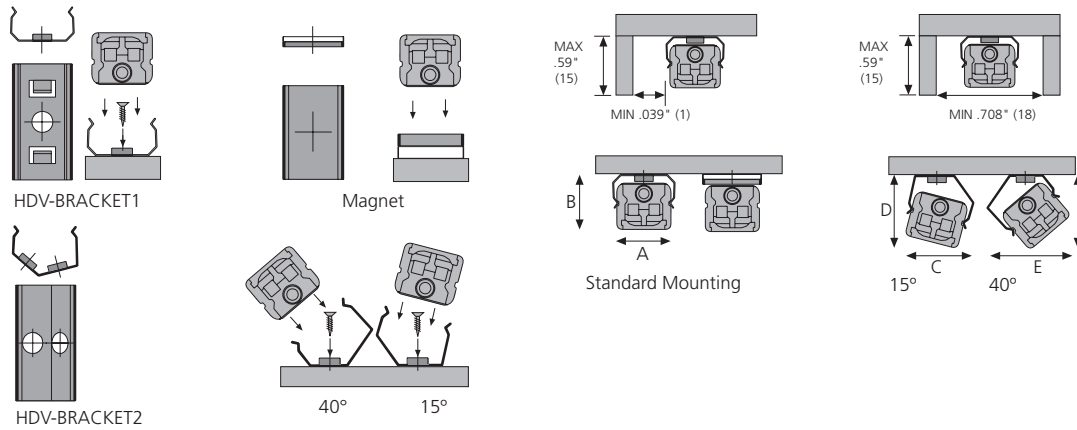


SIDE FEED UNIT



Consult factory for other options

MOUNTING

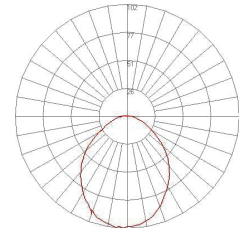


LENS DIMENSION

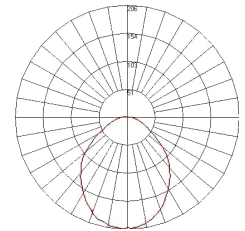


	A	B	C	D	E	F
Standard	.66" (16.8)	.55" (14.2)	.689" (17.5)	.65" (16.5)	.75" (19.1)	.69" (17.5)
Round Spot Free	.66" (16.8)	.87" (22.1)	.74" (18.8)	.96" (24.4)	.92" (23.4)	.90" (22.9)
Square Spot Free	.66" (16.8)	.89" (22.6)	.84" (21.3)	1.03" (26.2)	1.01" (25.7)	1.01" (25.7)

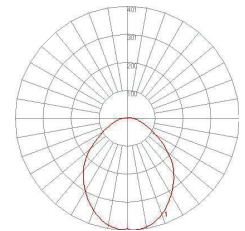
BEAM SPREADS



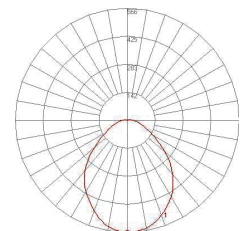
HDV 3W 4000K (241.5lm Lamp), 102.2cd (Max intensity), 3W (Power)



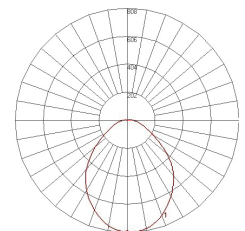
HDV 6W 4000K (490.3lm Lamp), 204.7cd (Max intensity), 6W (Power)



HDV 12W 4000K (963lm Lamp), 400.8cd (Max intensity), 11W (Power)



HDV 18W 4000K (1,327.8lm Lamp), 566.3cd (Max intensity), 17W (Power)



HDV 24W 4000K (1,891.3lm Lamp), 807.5cd (Max intensity), 23W (Power)

COMPONENTS

Power Cable
 ___ HDVPC (8')

Sidfeed for Seamless Extension (3W)
 ___ HDV3-(color)K-24V-S

Flexible Connecting Fixture (2W)
 ___ HDV2-(color)K-24V-Flex

Flexible Connecting Cable
 ___ HDVPTC (6")
 ___ HDVPTC1 (1')
 ___ HDVPTC2 (2')
 ___ HDVPTC4 (4')
 ___ HDVPTC6 (6')

In-Line Dimmer
 ___ HDVDIM
 (Max 75W in a row)

Dimming Interface
 Max. 100W
 (100W/CH, 1CH)
 0-10V Signal
 ___ FDC-L10

Square Diffuser
 ___ HDV-3W-SM (5.7")
 ___ HDV-6W-SM (11.22")
 ___ HDV-12W-SM (22.25")
 ___ HDV-18W-SM (33.27")
 ___ HDV-24W-SM (44.21")

Round Diffuser
 ___ HDV-3W-RM (5.7")
 ___ HDV-6W-RM (11.22")
 ___ HDV-12W-RM (22.25")
 ___ HDV-18W-RM (33.27")
 ___ HDV-24W-RM (44.21")

End Cap
 ___ HDV-CAP
 Included with fixture

Metal Mounting Brackets
 ___ HDV-BRACKET1
 Included with fixture

Angled Brackets
 Angled 15°/40° (BK2)
 ___ HDV-BRACKET2
 Optional

Connecting Brackets
 Fixture to Fixture
 ___ HDV-BRACKET3
 Included with fixture

A larger selection of drivers are available including remote and hard wire drivers. Please consult factory.

LED Drivers
 with distributor and power cord (1800mm)
 ___ FLC30-24V/XL
 ___ FLC75-24V/XL

Hard Wire Driver
 (90V to 300V)
 ___ XLAV80(L)-124V-SSB
 ___ XLD200-224V-FCL-DIM
 ___ XLD75-124V-FC

Hard Wire Drivers
 ___ FLE90-24V-L10-Dim

Additional Power Supplies/ Drivers Available.
 Please consult factory.

12 Port Hub
 ___ D12P-HUB
 Included with Cord and Plug drivers. Order separately for Hard Wire or 3rd Party Drivers

SPECIFICATION GUIDE: NOT TO BE USED FOR ORDERING. The Specification Guide is intended solely to ensure that all options are considered.

MODEL	COLOR	LENS	MOUNTING	CONFIGURATION	RUN LENGTH	DRIVER	CONTROLS	VOLTAGE
HDV					ft.			
HDV	27K -2700K 30K -3000K 35K -3500K 40K -4000K 60K -6000K	ST -Flat Frosted RM -Round Milky SM -Square Milky (RM and SM optional)	STD - Flat Brackets Magnets Included BK2 -15°/40° Brackets	S -Straight V -Varies*	RUN LENGTH IN FEET Fill out for every run section *DRAWINGS AND RUN LENGTH REQUIRED	CP - Cable/Plug HW - Hard Wire TD - 3rd Party Drivers Consult Factory	NDM Non-Dim IDM Inline Dim FDC 0-10V Interface FPH Forward Phase RPH Reverse Phase	100V 120V 230V 277V

NOTE: No Run to Exceed 75W without use of Side Feed Unit