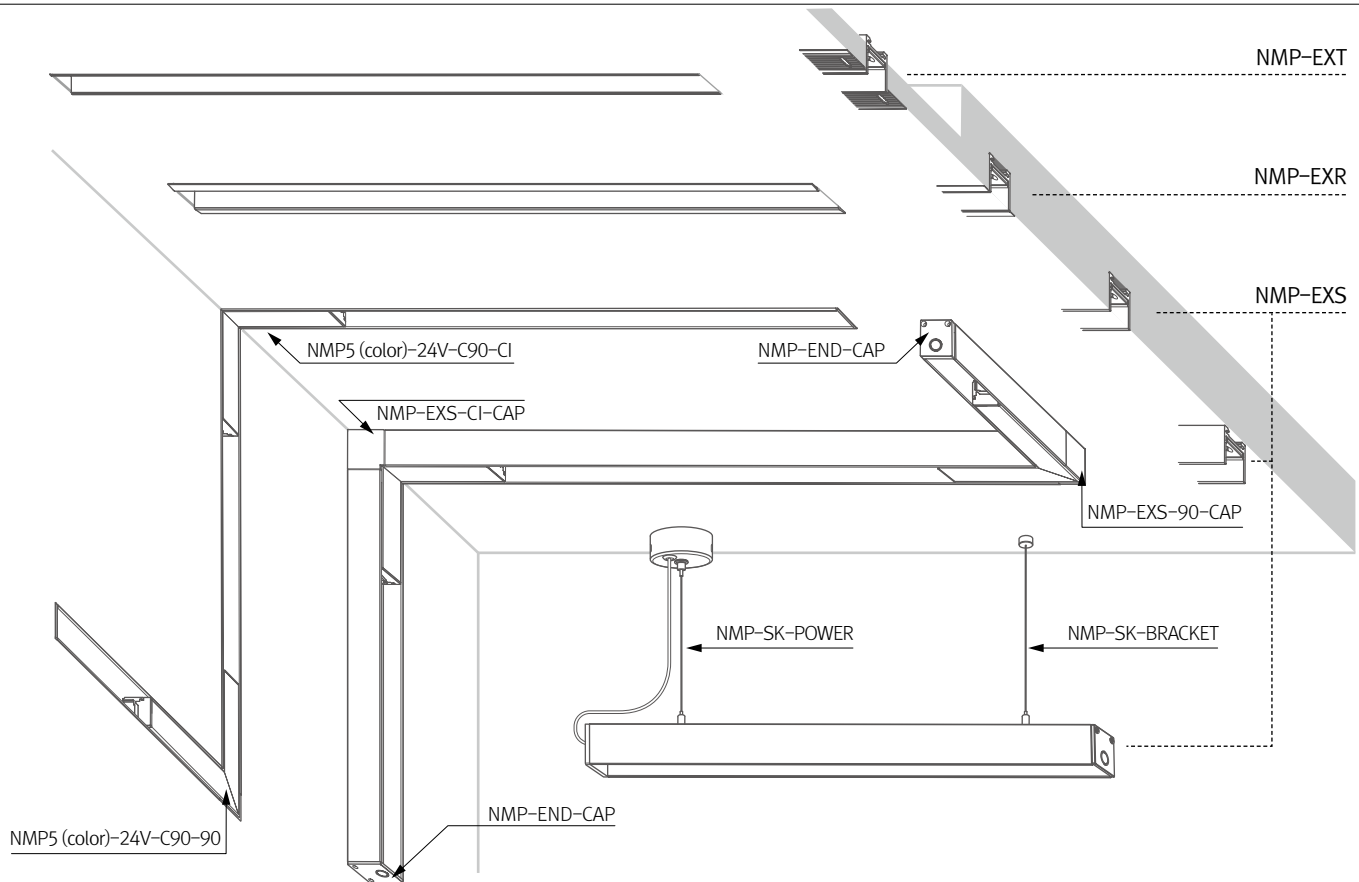
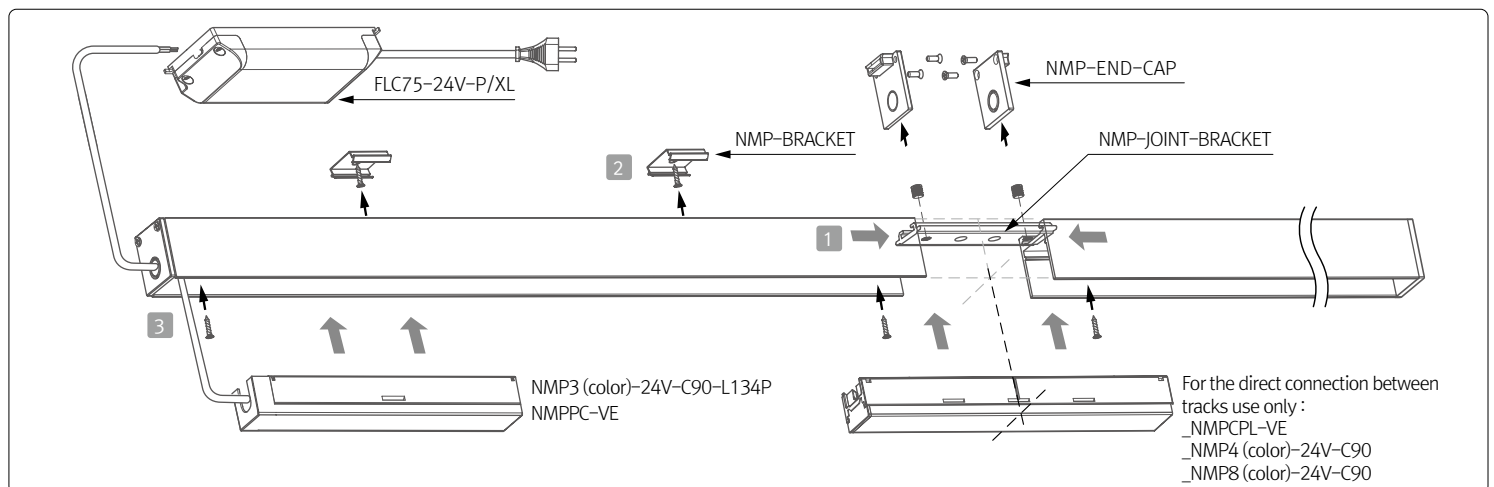


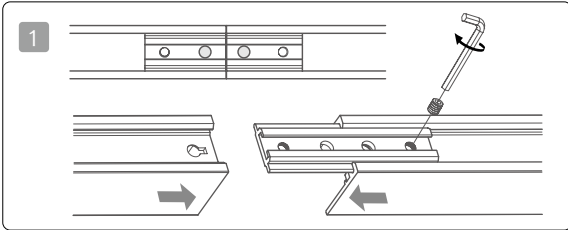
Installation



Extrusion length	Cutting extrusions
<p>1.97' (600mm), 3.94' (1200mm), 7.87' (2400mm)</p>	<p>⚠ Keep this array: NMP-FIX-CAP / Rail / NMP-FIX-CAP (Rail length + 1.18" (30mm) = Track length)</p>

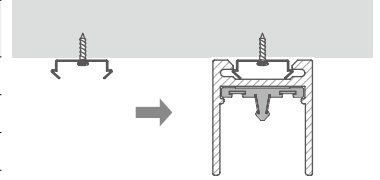


Installation (continued)

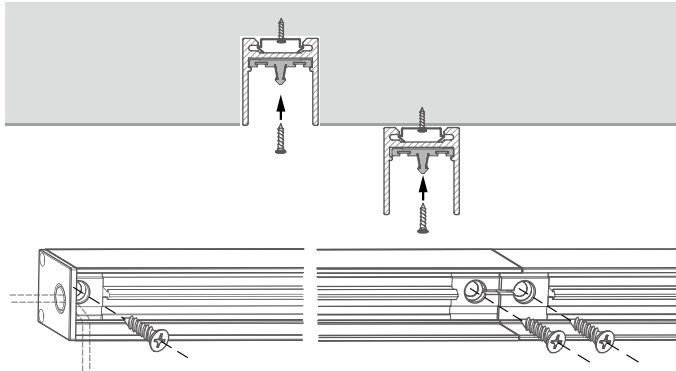


2 NMP-EXS,EXR-Bracket

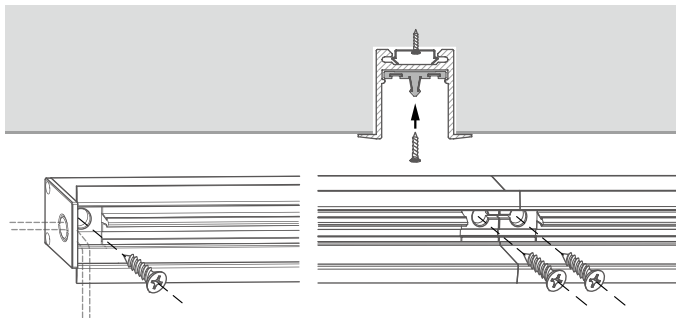
Extrusion	Bracket quantity	Bracket interval
1.97' (600mm)	0EA	-
3.94' (1200mm)	2EA	1.31' (400mm)
7.87' (2400mm)	5EA	1.31' (400mm)



3
NMP-EXS

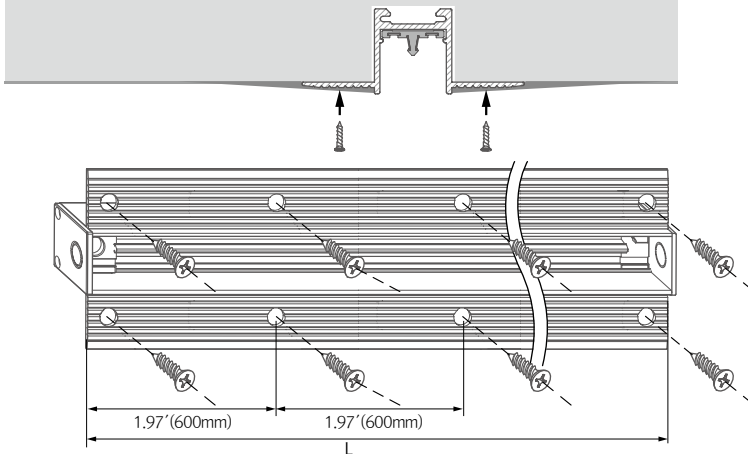


NMP-EXR

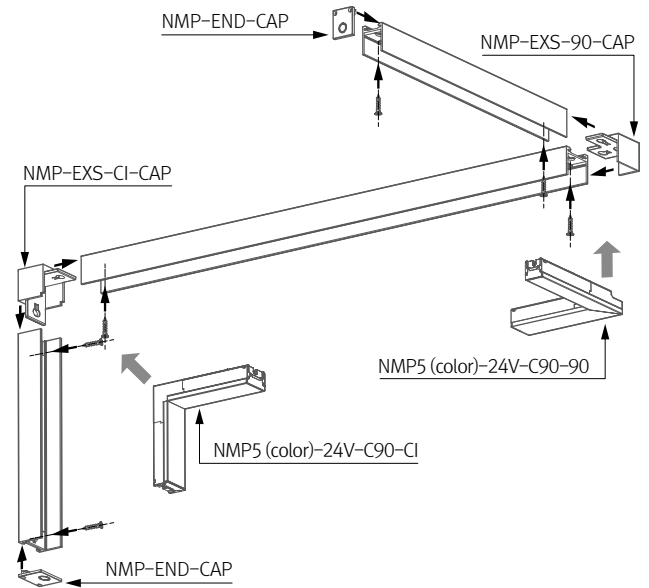


NMP-EXT

* Brackets are not required



Extrusion(L)	1.97' (600mm)	3.94' (1200mm)	7.87' (2400mm)
Hole Point	2X2EA	3X2EA	5X2EA



Installation (continued)

