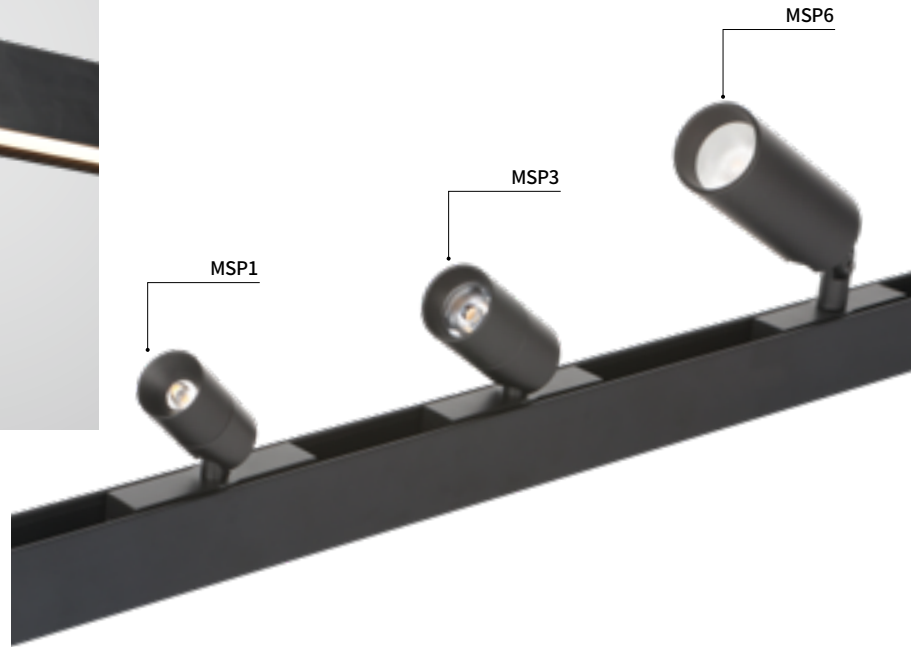
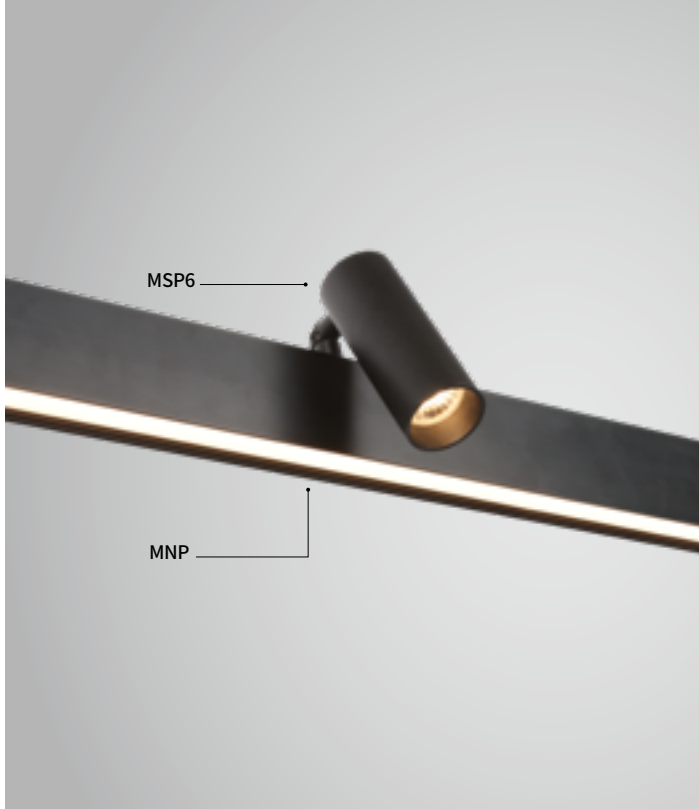


DATE _____

PROJECT _____

TYPE _____



MonoRail _Track System Pro

MonoRail Pro Track- Spot and Linear System



PRODUCT FEATURES

- Super-slim track lighting system with various spot and linear option
- Double joint head available for 6W spot
- Simple Plug and Play connection to the power track
- Suitable for interior design
- Constant voltage DC 24V driver
- Available in black, white
- Dimmable

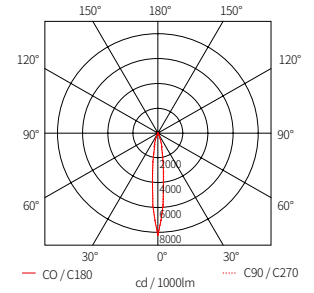
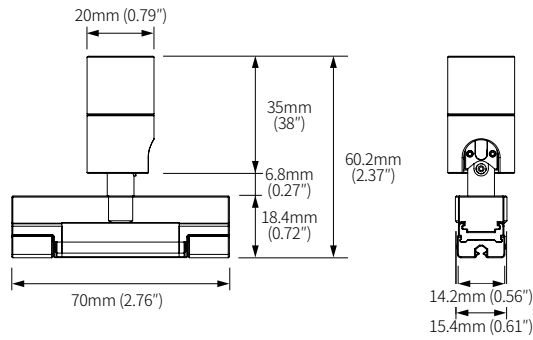
PRODUCT SPECIFICATIONS

- Power Input : DC 24V
- Color Rendering Index : CRI > 90
- Available CCTs : 2,700K, 3,000K, 3,500K, 4,000K
- Energy Efficiency : LED 100lm/W, Luminaire 98lm/W
- Operating Temperature Ranges : 0-45°C (32-113°F)
- Finishes : 1W, 3W Spot: Black, White
1W, 4W, 8W Linear: Black, White, Silver
- Material : Aluminum
- Lampe Life : 50,000hrs/70%
- Degree of Protection : IP20
- Warranty : 3 year
- Beam Angle : MSP1 xxK-24V-BK / 25, 35,55
MSP3 xxK-24V-BK / 25, 40,50
MSP6 xxK-24V-BK / 25, 40,50

SPECIFICATION TABLE

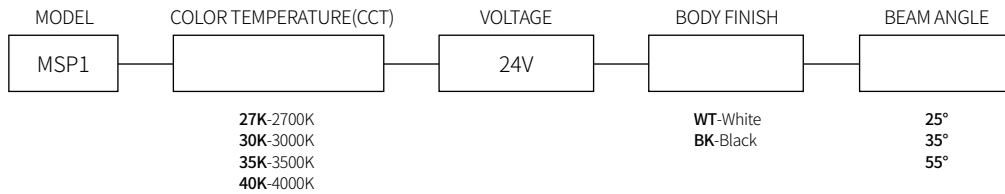
Model Name	Power Input	Lamp Power	Luminous Flux	Luminous Efficacy	Color Rendering Index	CCT	Beam Angle	Operating Temperature
MSP1 xxK-24V-BK-25	DC 24V	1.3 W	91 lm	70 lm/W	CRI > 90	2700K/3000K/3500K/4000K	25°, 35°, 55°	0-45°C
MSP3 xxK-24V-BK-25	DC 24V	2.6 W	254 lm	98 lm/W	CRI > 90	2700K/3000K/3500K/4000K	25°, 40°, 50°	0-45°C
MSP6 xxK-24V-BK-25	DC 24V	5.6 W	394 lm	70 lm/W	CRI > 90	2700K/3000K/3500K/4000K	25°, 40°, 50°	0-45°C
MNP1 xxK-24V-C90	DC 24V	1.45 W	103.5 lm	70.7 lm/W	CRI > 90	2700K/3000K/3500K/4000K		0-45°C
MNP4 xxK-24V-C90	DC 24V	4.33 W	264.6 lm	72.99 lm/W	CRI > 90	2700K/3000K/3500K/4000K		0-45°C
MNP8 xxK-24V-C90	DC 24V	8.59 W	348.8 lm	70.98 lm/W	CRI > 90	2700K/3000K/3500K/4000K		0-45°C

MonoRail Spot Pro 1W

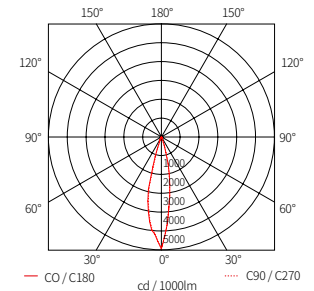
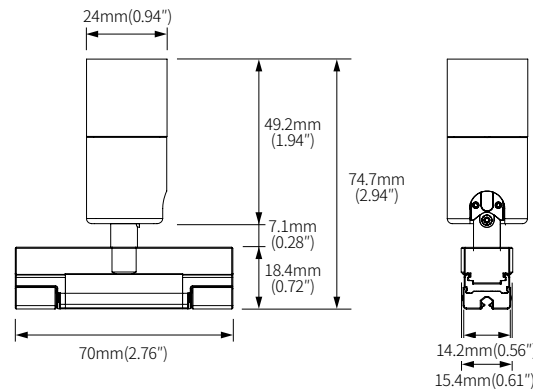


Model Name	Power Input	Lamp Power	Luminous Flux	Efficiency	Color Rendering	Available Color	Beam Angle	Operating Temperature
MSP1 40K-24V-BK-25	DC 24V	1.3 W	91 lm	70 lm/W	CRI > 90	2,700K/3,000K/3,500K/4,000K	25°, 35°, 55°	0-45°C

SPECIFICATION GUIDE

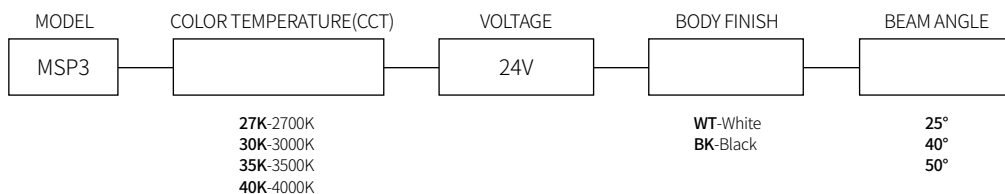


MonoRail Spot Pro 3W

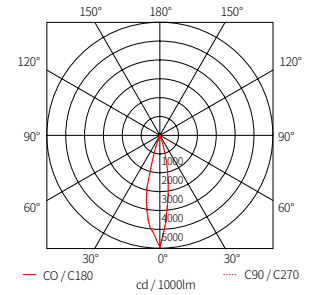
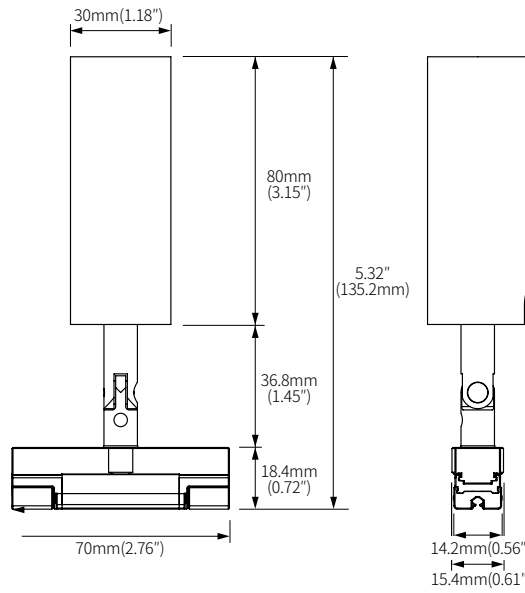


Model Name	Power Input	Lamp Power	Luminous Flux	Efficiency	Color Rendering	Available Color	Beam Angle	Operating Temperature
MSP3 40K-24V-BK-25	DC 24V	2.6 W	254 lm	98 lm/W	CRI > 90	2,700K/3,000K/3,500K/4,000K	25°, 40°, 50°	0-45°C

SPECIFICATION GUIDE



MonoRail Spot Pro 6W (Double joint)



Model Name	Power Input	Lamp Power	Luminous Flux	Efficiency	Color Rendering	Available Color	Beam Angle	Operating Temperature
MSP6 40K-24V-BK-25	DC 24V	5.6 W	394 lm	70 lm/W	CRI > 90	2,700K/3,000K/3,500K/4,000K	25°, 40°, 50°	0-45°C

SPECIFICATION GUIDE

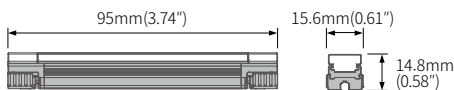
MODEL	COLOR TEMPERATURE(CCT)	VOLTAGE	BODY FINISH	BEAM ANGLE
MSP6	27K-2700K 30K-3000K 35K-3500K 40K-4000K	24V	WT-White BK-Black	25° 40° 50°

MonoRail Pro 1W

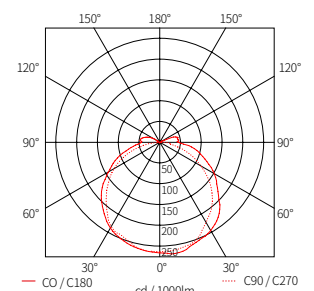


MNP 1W Length 95mm(3.74")

Model Name	Power Input	Lamp Power	Luminous Flux	Luminous Efficacy	Color Rendering Index	CCT	Operating Temperature
MNP1 40K-24V-C90	DC 24V	1.45 W	103.5 lm	70.7 lm/W	CRI > 90	2700K/3000K/3500K/4000K	0-45°C



MNP1 40K-24V-C90
103.5 lm, 70.7 lm/W



SPECIFICATION GUIDE

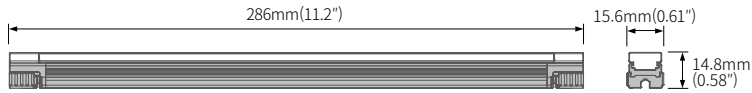
MODEL	COLOR TEMPERATURE(CCT)	VOLTAGE	BODY FINISH
MNP1	27K-2700K 30K-3000K 35K-3500K 40K-4000K	24V	SV-Silver WT-White BK-Black

MonoRail Pro 4W

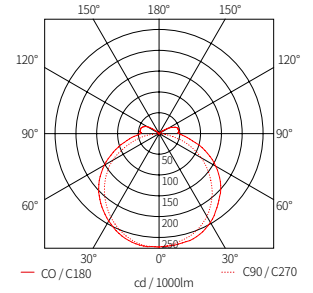


MNP 4W Length 286mm(11.2")

Model Name	Power Input	Lamp Power	Luminous Flux	Luminous Efficacy	Color Rendering Index	CCT	Operating Temperature
MNP4 40K-24V-C90	DC 24V	4.33 W	315.3 lm	72.99 lm/W	CRI > 90	2700K/3000K/3500K/4000K	0-45°C



MNP4 40k-24V-C90
315.3 lm, 72.99 lm/W



SPECIFICATION GUIDE

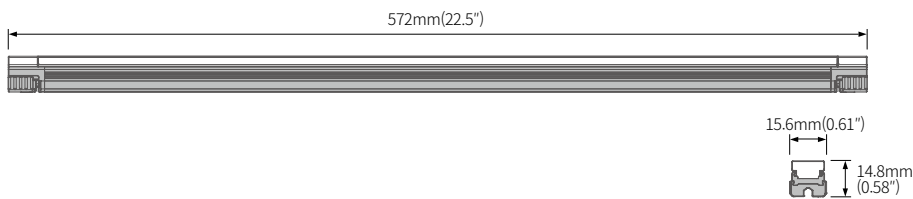
MODEL	COLOR TEMPERATURE(CCT)	VOLTAGE	BODY FINISH
MNP4	27K-2700K 30K-3000K 35K-3500K 40K-4000K	24V	SV-Silver WT-White BK-Black

MonoRail Pro 8W

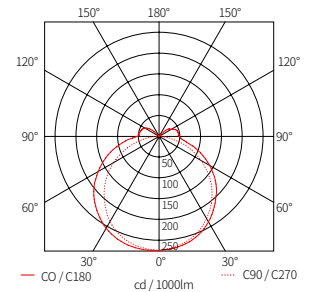


MNP 8W Length 572mm(22.5")

Model Name	Power Input	Lamp Power	Luminous Flux	Luminous Efficacy	Color Rendering Index	CCT	Operating Temperature
MNP8 40K-24V-C90	DC 24V	8.59 W	609.9 lm	70.98 lm/W	CRI > 90	2700K/3000K/3500K/4000K	0-45°C



MNP8 40K-24V-C90
609.9 lm, 70.98 lm/W



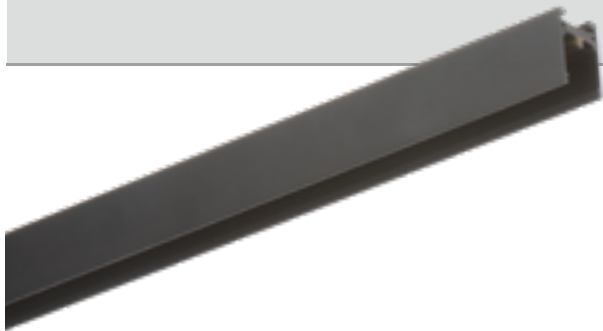
SPECIFICATION GUIDE

MODEL	COLOR TEMPERATURE(CCT)	VOLTAGE	BODY FINISH
MNP8	27K-2700K 30K-3000K 35K-3500K 40K-4000K	24V	SV-Silver WT-White BK-Black

MONORAIL TRACK TYPE

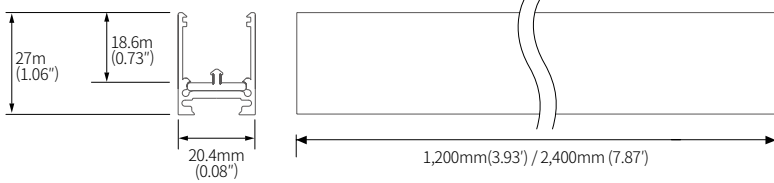
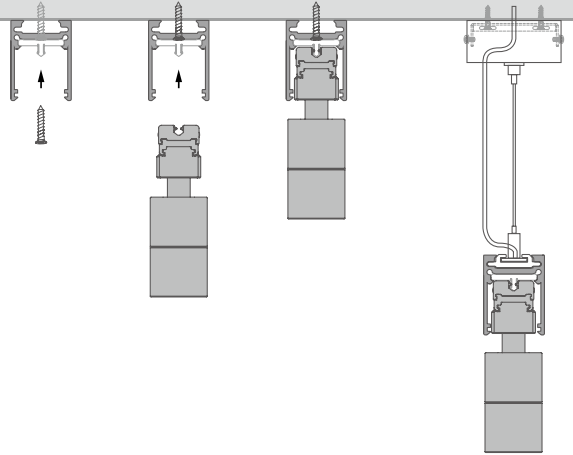
* Rail Built-In Track

* MSP SURFACE TRACK

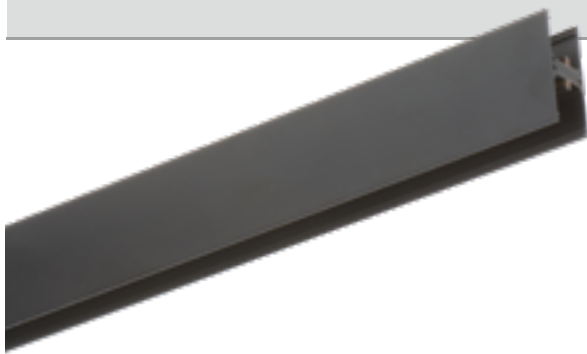


Surface Type

Pendant_Wire Type

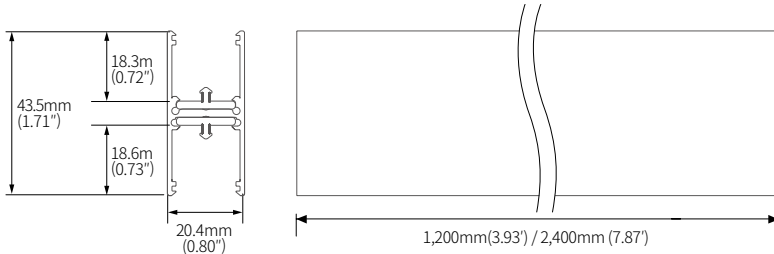
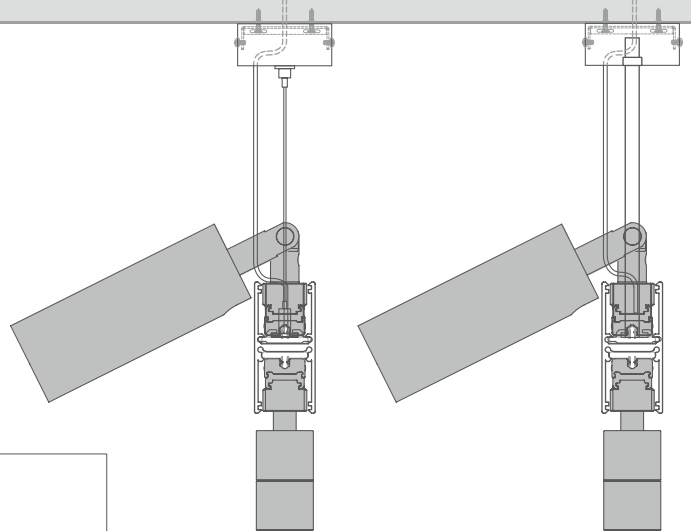


* MSP H TRACK



Pendant_Wire Type

Pendant_Rigid Type



SPECIFICATION GUIDE

MODEL

BODY FINISH

LENGTH

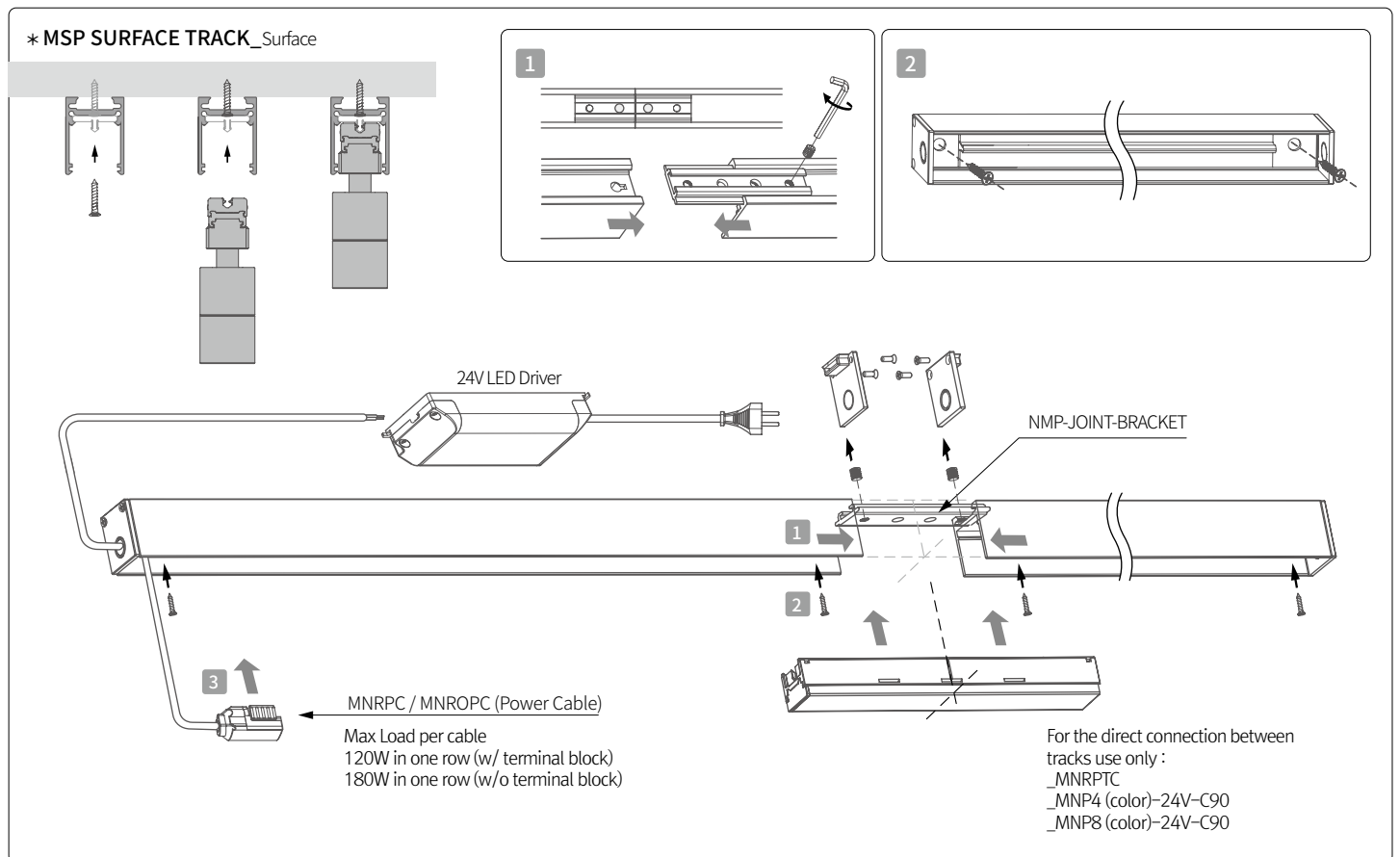
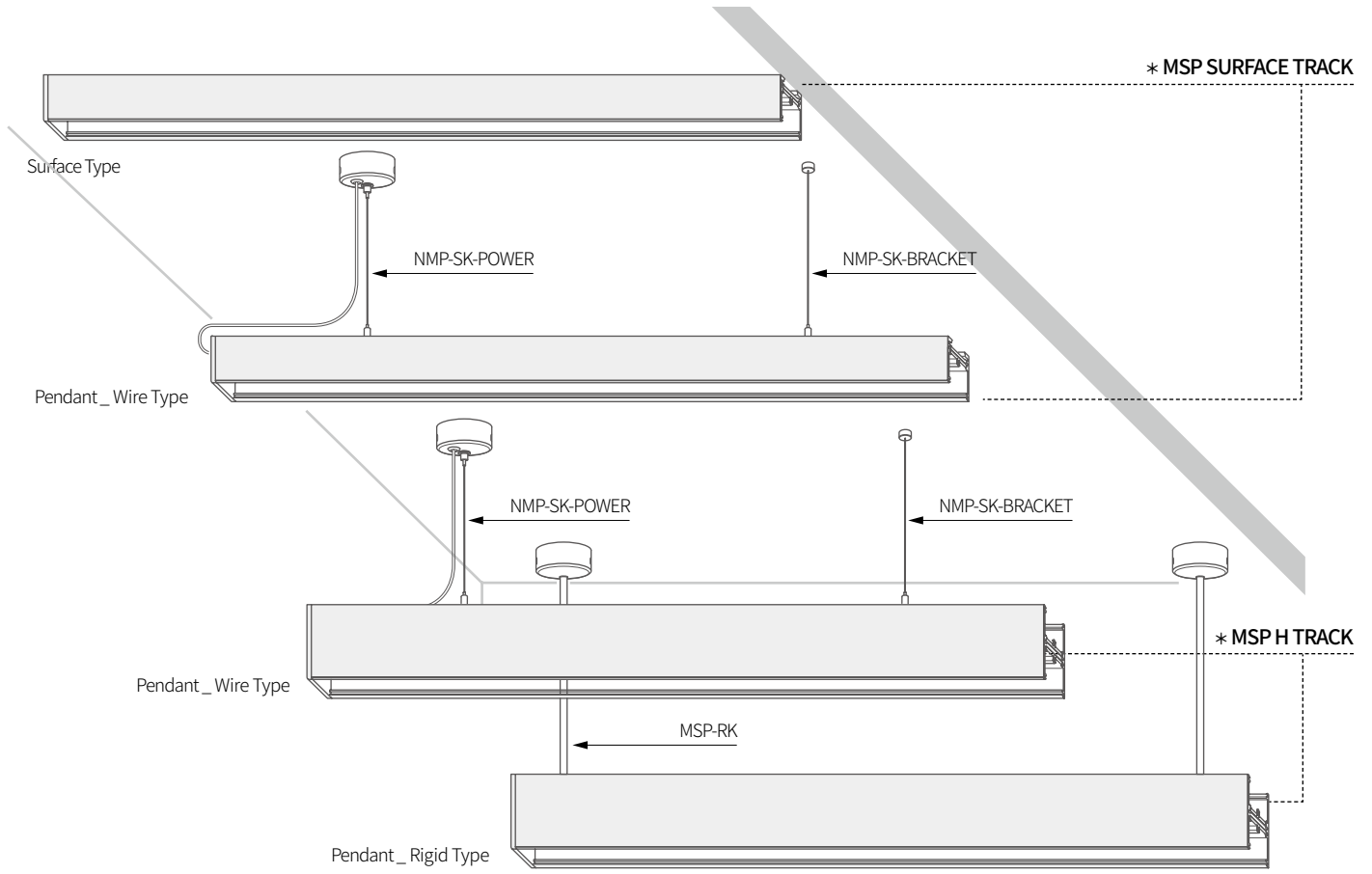


MSP-EXS
MSP-EXH

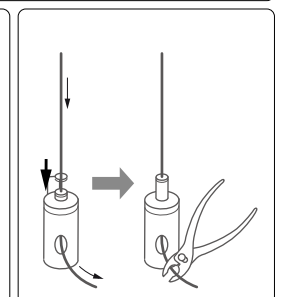
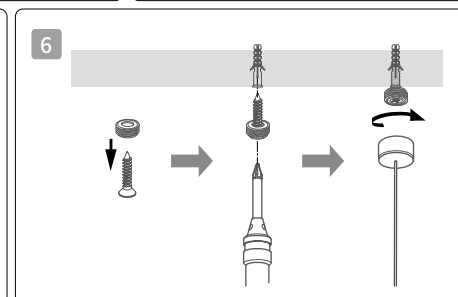
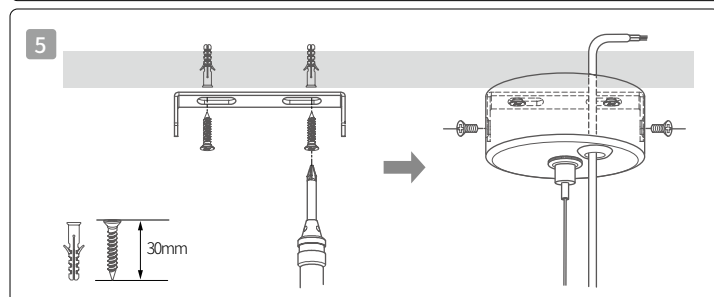
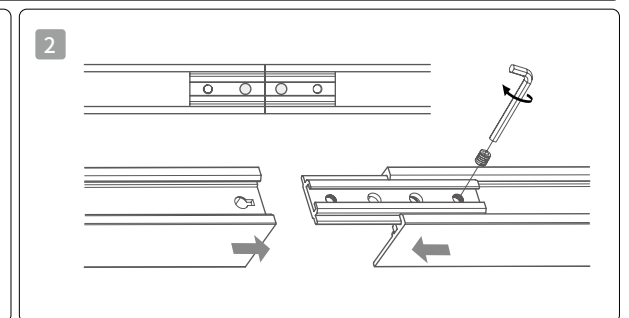
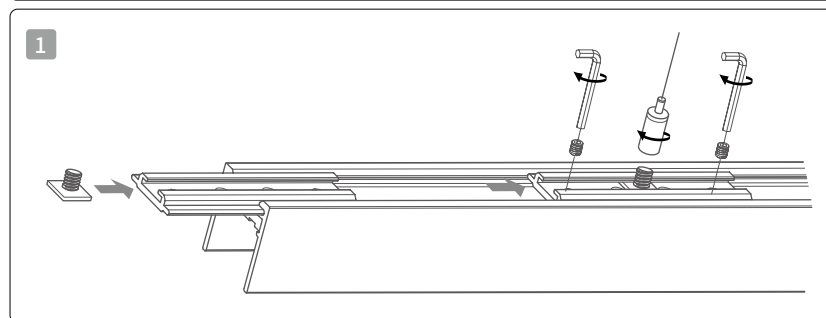
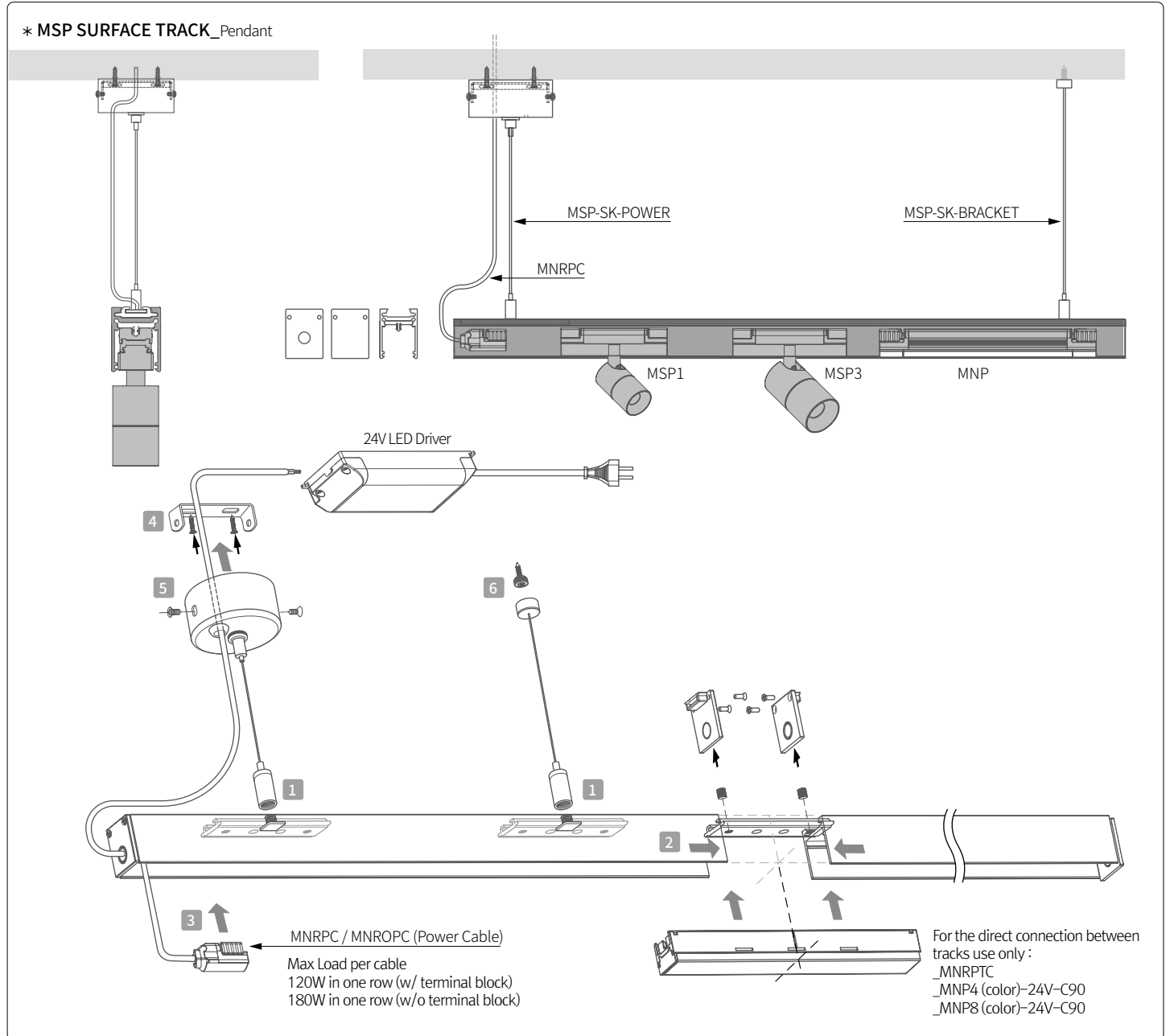
SV-Silver
WT-White
BK-Black

1200mm
2400mm

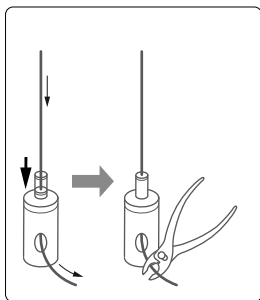
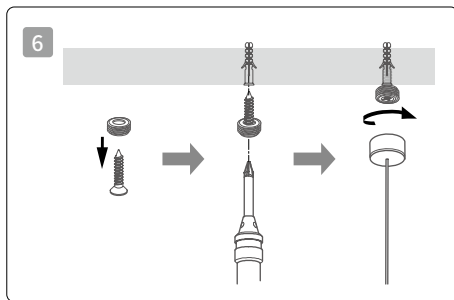
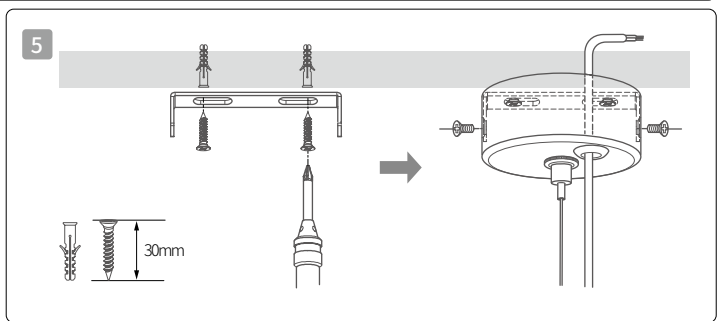
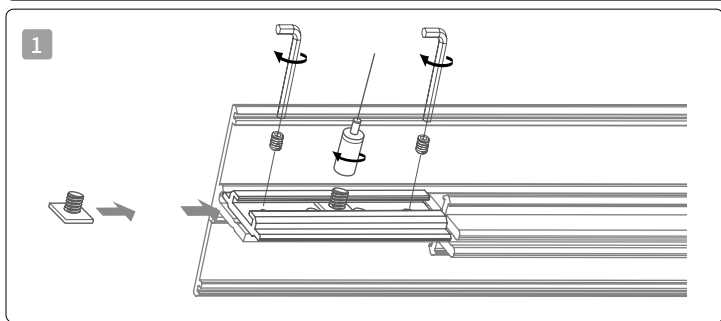
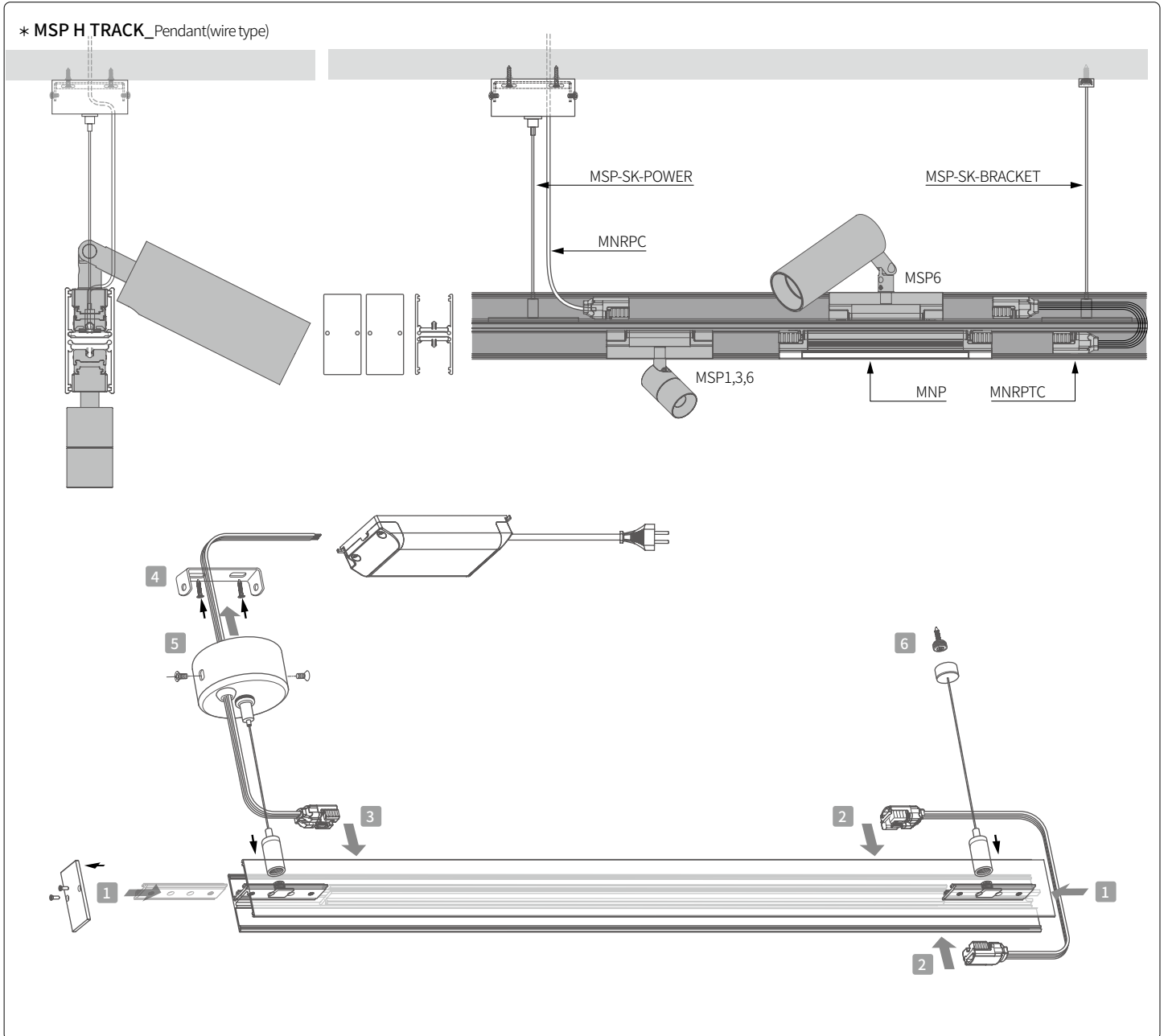
MONORAIL TRACK INSTALLATION



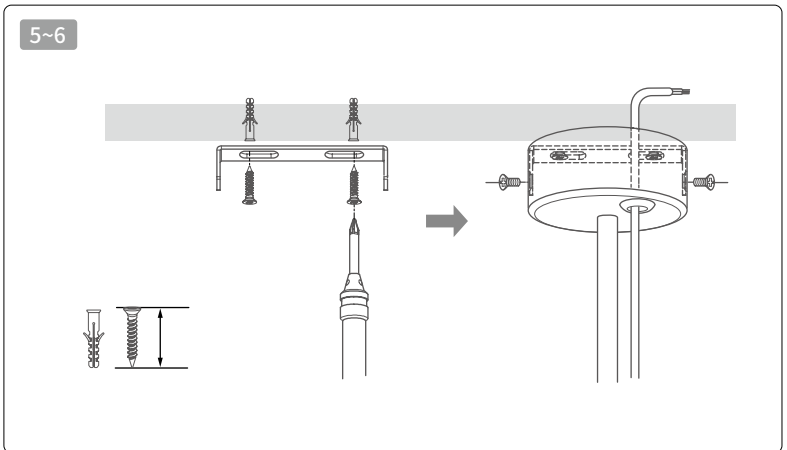
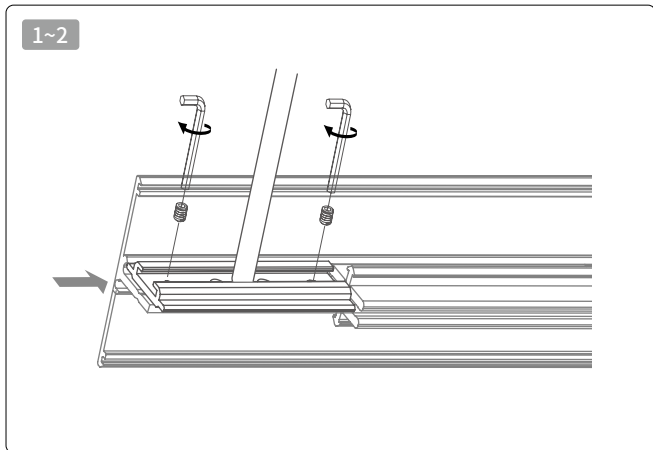
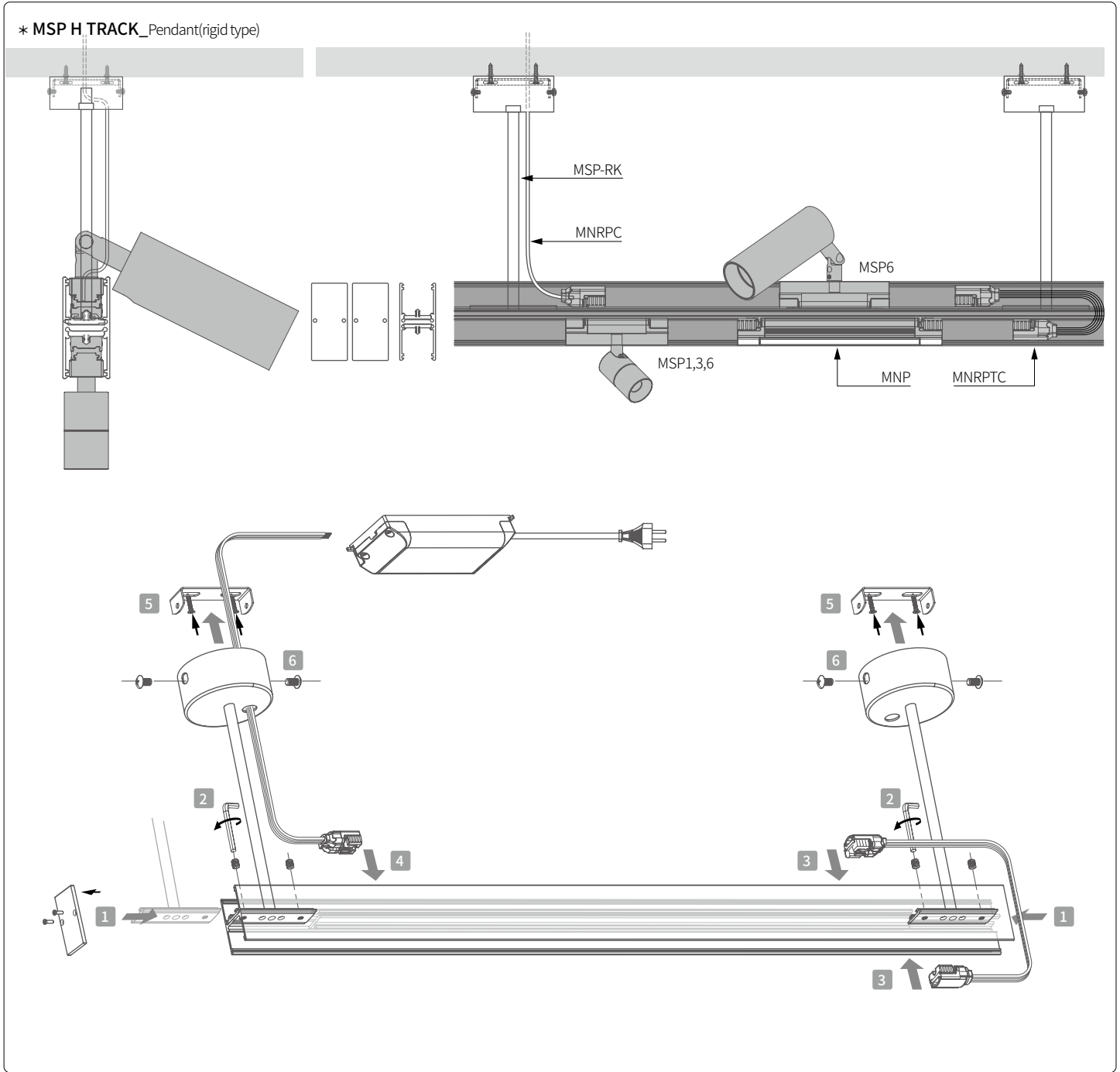
* MSP SURFACE TRACK_Pendant



* MSP H TRACK_Pendant(wire type)



* MSP H TRACK_Pendant (rigid type)



COMPONENTS



MonoRail Spot Pro 1W

- __MSP1 xxK-24V-BK-25
- __MSP1 xxK-24V-BK-35
- __MSP1 xxK-24V-BK-55

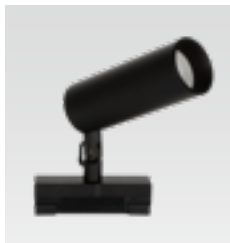
*Available in BK, WT



MonoRail Spot Pro 3W

- __MSP3 xxK-24V-BK-25
- __MSP3 xxK-24V-BK-40
- __MSP3 xxK-24V-BK-50

*Available in BK, WT



MonoRail Spot Pro 6W (Double Jonint)

- __MSP6 xxK-24V-BK-25
- __MSP6 xxK-24V-BK-40
- __MSP6 xxK-24V-BK-50

*Available in BK, WT



Monorail Pro 1W

- __MNP1 xxK-24V-SV

*Available in SV,BK,WT



Monorail Pro 4W

- __MNP4 xxK-24V-SV

*Available in SV,BK,WT



Monorail Pro 8W

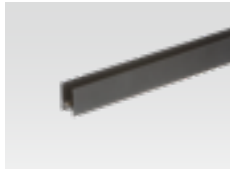
- __MNP8 xxK-24V-SV

*Available in SV,BK,WT



Sidefeed

- __MNP1-xxK-24V-S



MSP SURFACE TRACK 1,200mm(4') 2,400mm(8')

- __MSP-EXS-WT (white)
 - __MSP-EXS-BK (black)
- With MNR-Rail



MSP H TRACK 1,200mm(4') 2,400mm(8')

- __MSP-EXH-WT (white)
 - __MSP-EXH-BK (black)
- With MNR-Rail



Power Supply Track

- __MNR-Rail-BK 20M(65')
- __MNR-Rail-WT 20M(65')
- __MNR-Rail-BK 1,200mm(4')
- __MNR-Rail-WT 1,200mm(4')



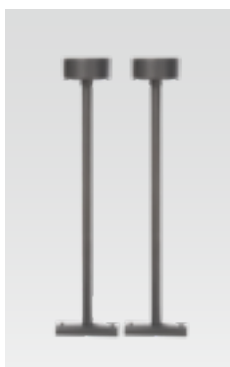
Pendent Suspension Power Kit 1,500mm (5')

- __MSP-SK-POWER



Pendent Suspension Bracket 1,500mm (5')

- __MSP-SK-BRACKET



Pendent Rigid Kit Rod : 1,000mm(3.2')

- __MSP-RK



Power Feed 2,500mm (8')

- __MNRPC-WT
- __MNRPC-BK



Connecting Cable

- __MNRPTC/T 150mm(6")-BK
- __MNRPTC1/T 300mm(1')-BK
- __MNRPTC2/T 600mm(2')-BK
- __MNRPTC4/T 1,200mm(4')-BK
- __MNRPTC6/T 1,800mm(6')-BK
- __MNRPTC/T 150mm(6")-WT
- __MNRPTC1/T 300mm(1')-WT
- __MNRPTC2/T 600mm(2')-WT
- __MNRPTC4/T 1,200mm(4')-WT
- __MNRPTC6/T 1,800mm(6')-WT



12 Port Hub

__D12P-HUB
Included with Cord and Plug drivers. Order separately for Hard Wire or 3rd Party Drivers



LED Drivers

__FLC30-24V/XL (30W)
__FLC75-24V/XL (75W)
with distributor and power cord 1,800mm(6')



Hard Wire Driver

__FLE60-24V-L10-DIM
__FLE90-24V-L10-DIM

**Additional Power Supply/
Driver Options Available.
Please consult Factory.**



Hard Wire Driver

(90V to 300V)
__XLD200-224V-FCL-DIM
__XLD75-124V-FC



Dimming Interface

(100W/CH, 1CH)
0-10V Signal
__FDC-L10 (Max. 100W)

A larger selection of drivers are available including remote and hard wire drivers. Please consult factory.