

**Please open all cartons immediately to ensure all material is on-site and undamaged.  
Any claims must be filed within 15 days of receipt of product.**

**Please read all assembly and installation instructions of Feelux products**

1. Before attempting to install or use fixture read, read and understand the following installation instructions and safety labels.
2. If you have any questions, please contact Feelux Lighting Technical Support at:  
(678)668-7005 ext. 113 or techsupport@feeluxlighting.com
3. Feelux product must be installed by a licensed electrician in accordance with all National and Local Electrical and Construction Codes and Regulations.
4. Verify electrical plan.
5. Ensure the main power supply is off before installing or wiring fixtures.
6. Do not install a fixture if the unit, lens, housing or power cables are damaged.
7. Fixtures have no serviceable parts.
8. Do not use a fixture for any voltage for which it is not rated.
9. Do not exceed the specified voltage, current or wattage for any fixture.
10. Feelux Lighting complies with Part 15 of the FCC rules. Class B Digital Apparatus complies with Canadian ICES-003.
11. Confirm that Feelux unit is compatible with proposed dimming control system.
12. IMPORTANT NOTE – Seamless LED requires Feelux Hardwire Box For non-dimming installation or SLLPC/XL.
13. IMPORTANT NOTE – Seamless LED requires interface module for dimming. Dimming can be 0-10v or phase controlled.
14. IMPORTANT NOTE – Dimmer interface (FDB-P10) Dip Switch must be set to 1-10V setting.

**Feelux Lighting SlimLamp Seamless LED Installation Instructions**

1. Feelux Seamless is a line voltage product and operates from 100 – 240V.
2. 277V requires the Feelux M20 unit. Please contact factory.
3. Seamless LED has a maximum connection wattage of 400W.
4. Seamless LED dimming interface can operate up to 20 Seamless LED modules on two channels.
  - a. Load is 10 fixtures PER channel maximum.
  - b. If longer dimming run is required than the Booster Unit can be applied.
5. Feelux PTC Connecting Cables (Jumpers) cannot be modified.
6. Seamless LED fixtures have a directional power connection. Incoming power is always connected to the male end of the fixture.

**Tips**

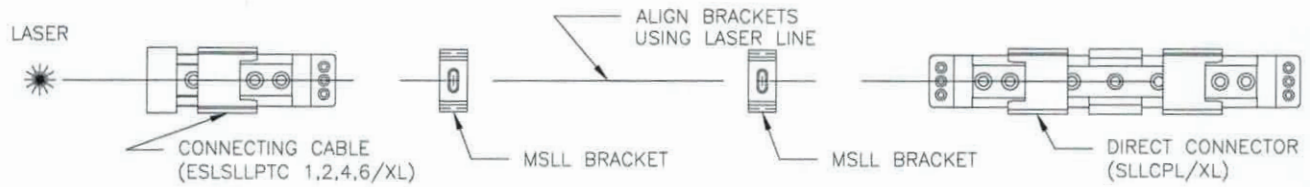
1. Make certain all surfaces are free of dirt and debris prior to installation.
2. Check that fixtures are properly connected.
3. After installation remove/blow off all construction dust and debris.
4. Fixtures must be protected from paint and paint splatter.
5. Use Mounting brackets for proper alignment.
6. If installation is non-dimming, then fixtures are powered with either cord and plug OR MHWB and connecting cable.
7. If installation is dimming, a dimming interface and connecting cable is required. The MHWB is not needed.

**Troubleshooting**

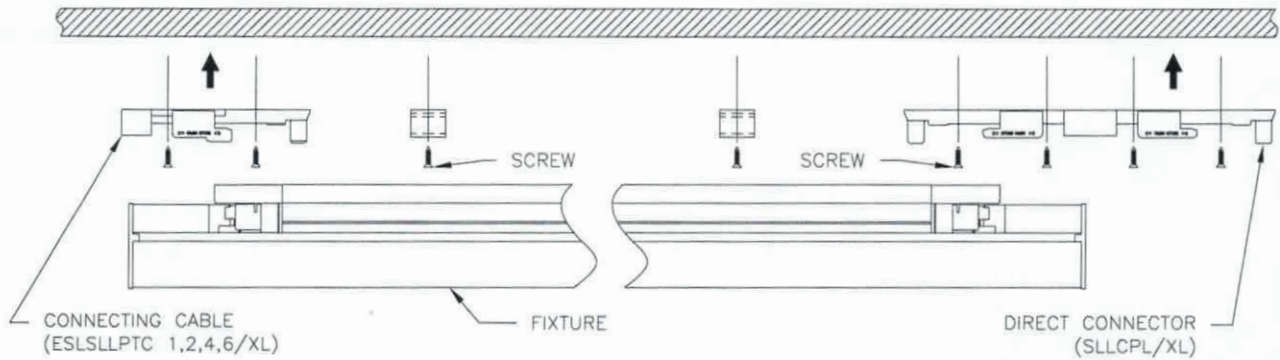
1. Check electrical and mechanical connections points.
2. Confirm that LED lamps are properly seated in sockets and locked in place.
3. Check that cables, connectors are locked in place.
4. Is the fixture run over the maximum wattage/maximum run length?
5. Is the wattage exceeded for the hardwire box or dimming interface?
6. If required, is booster being used?
7. Is dimming control compatible with dimming interface?
8. Note: Dimming Interface is 2 Channel. Max load per channel is 10 fixtures regardless of wattage.
  - a. After max load, Booster is required.

**Installation / Mounting**

Align all brackets using laser line

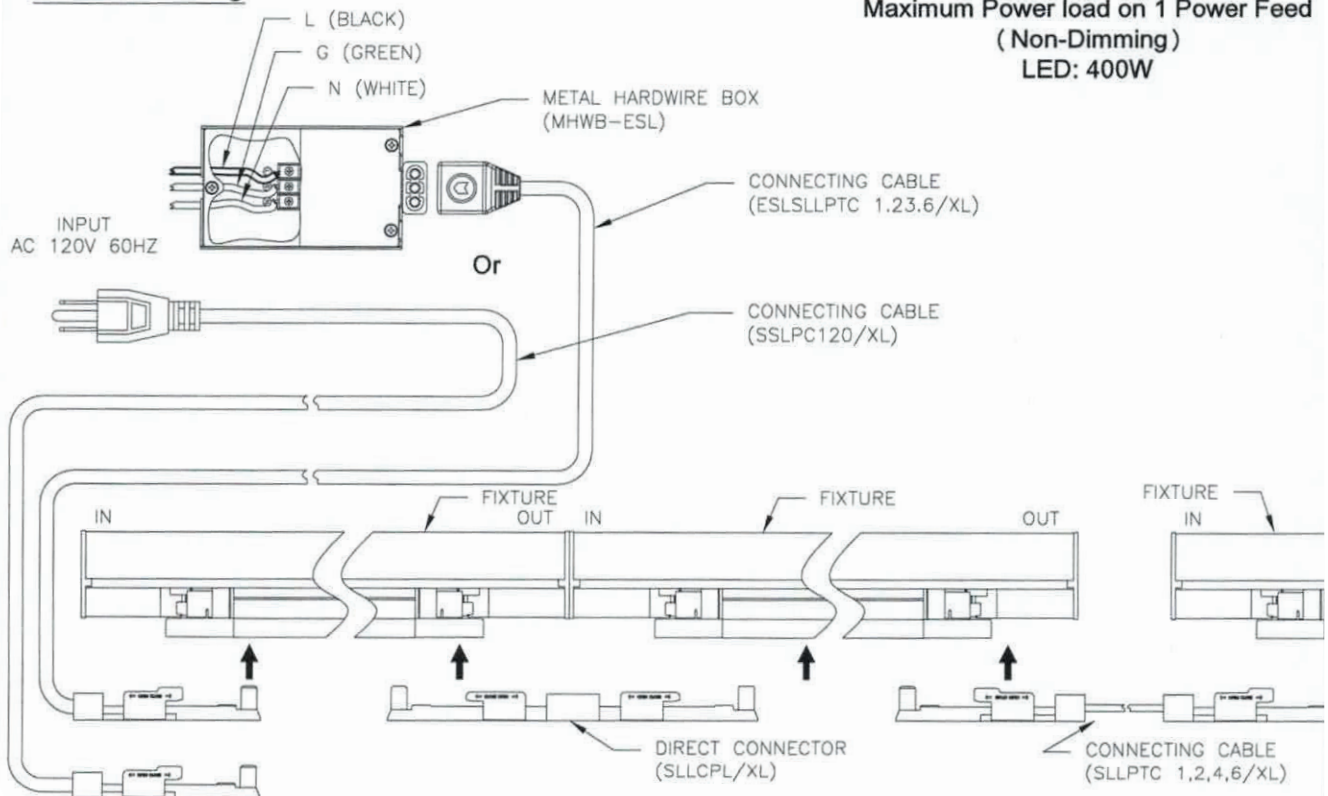


**MOUNTING TO SURFACE**



**Non - Dimming**

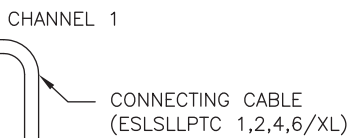
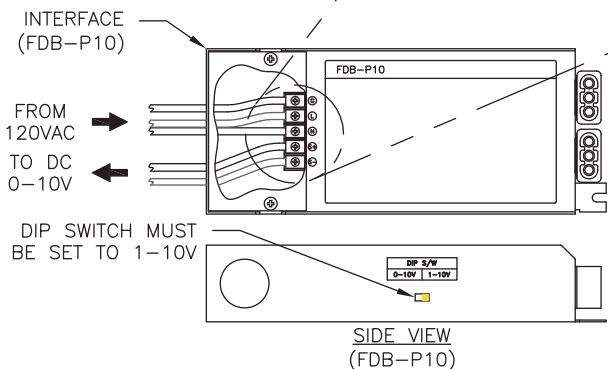
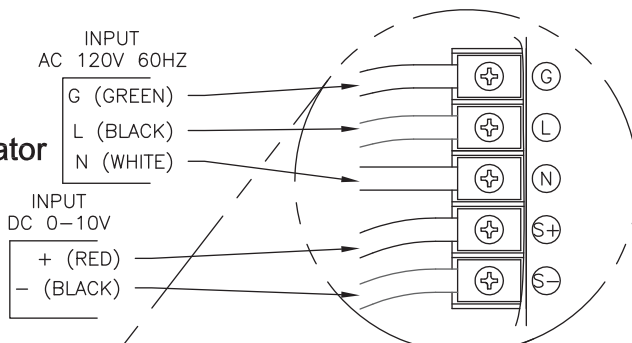
**AC FLX -SlimLamp Seamless LED**  
**Maximum Power load on 1 Power Feed**  
**( Non-Dimming )**  
**LED: 400W**



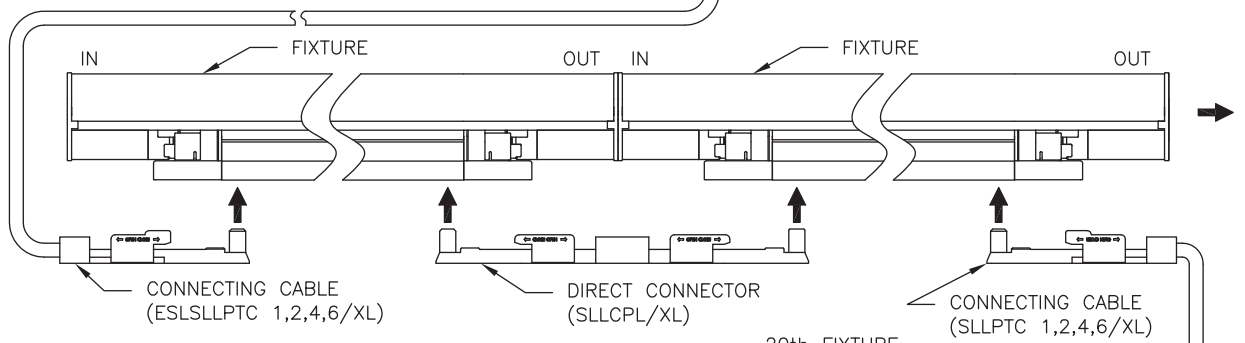
**Connecting Fixtures**

**AC FLX -SlimLamp Seamless LED**  
**Maximum Power load on 1 Power Feed**  
**LED: 400W**

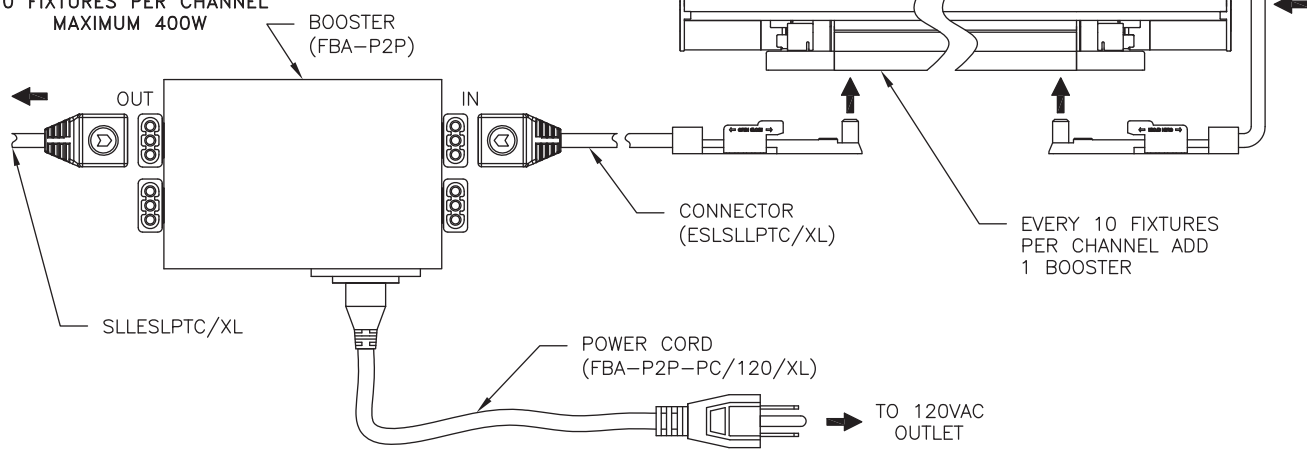
**Interface**  
**FDB-P10**  
**0-10V/ 1-10V**  
**to PWM Translator**



**NOTE:**  
 DIP SWITCH IS LOCATED ON THE SIDE OF THE FDB-P10. THE SWITCH MUST BE SET TO 1-10V.



**REPEAT FOR EVERY**  
**10 FIXTURES PER CHANNEL**  
**MAXIMUM 400W**



**Step 4. Connecting Fixtures**

**Interface  
FDB-P1H  
Phase  
to PWM Translator**

INPUT  
AC 120V  
60HZ

G (GREEN)  
L (BLACK)  
N (WHITE)

LIVE FROM  
PHASE DIMMER  
MLV & ELV

LIVE  
NEUTRAL  
LIVE

**AC FLX -Slimlamp Seamless LED**  
Maximum Power load on 1 Power Feed  
( Non-Dimming )  
LED: 600W

**NOTE:**  
INPUT VOLTAGE  
( 120VAC 60Hz )  
REQUIRES CONSTANT  
UN-INTERUPTED VOLTAGE  
TO LINE & NEUTRAL  
OF INTERFACE  
FDB-P1H

