

DATE

PROJECT

LOCATION

TYPE



# FLT Track System

Magnetic Low Voltage Track System



## PRODUCT FEATURES

- Multiple Luminaire Options with Various Beam Angles for Maximum Design Flexibility
- Dual magnetic/mechanical system for secured luminaires
- Surface, Recessed and Pendant mount track available
- Double Hinge Available for Certain Models
- Extended Snoot/Filters Available for Certain Models
- H Style, Pendant Direct/Indirect Track Option
- Dim 0–10V
- 96W per Powerfeed
- Earthquake rated by Osaka Earthquake Test Lab

## PRODUCT SPECIFICATIONS

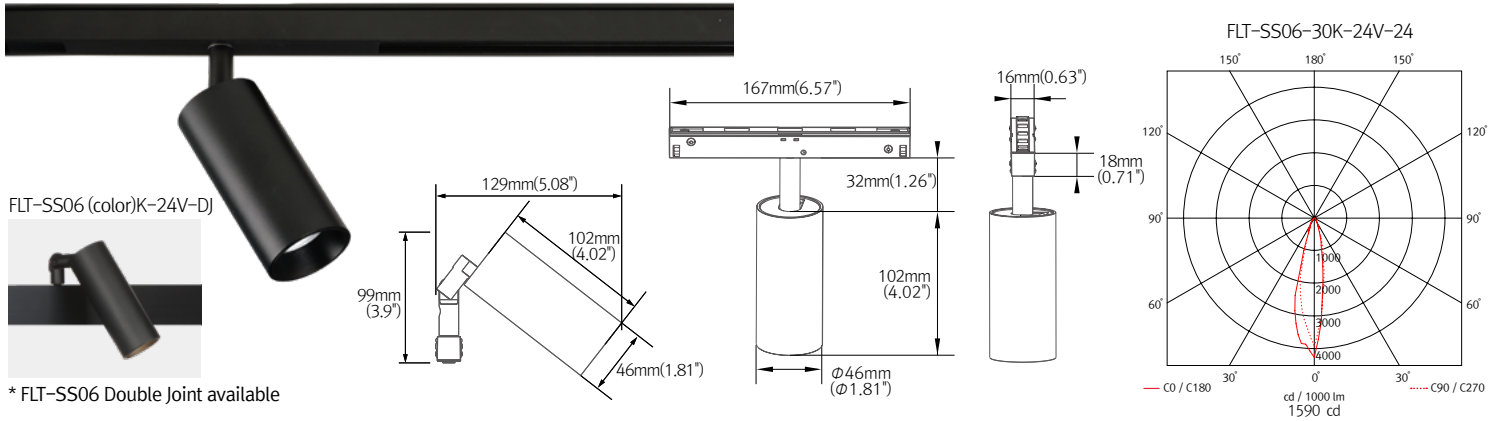
- Voltage: DC 24V
- Operating Temperature: 0–45°C (32° F–32° F)
- Lamp Life: 50,000 hrs / 70%
- Finishes: Black, White
- Color Rendering : CRI > 90
- Dimming: 0–10V, DALI

## SPECIFICATION-FIXTURES

Performance data shown below for 3000K CCT. Refer to individual luminaire IES files for other CCT options.

Model Name	Power Input	Lamp Power	Luminous Flux	Luminous Efficacy	Color Rendering Index	Color Temperature(CCT)	Beam Angle	Operating Temperature
FLT-SS06 (color)K-24V	DC 24V	6.3 W	438.1 lm	69.7 lm/W	CRI > 90	* 2,700K/3,000K/3,500K/4,000K	15° / 24° / 36°	32-113°F
FLT-SS06 (color)K-24V-DJ	DC 24V	6.3 W	438.1 lm	69.7 lm/W	CRI > 90	* 2,700K/3,000K/3,500K/4,000K	15° / 24° / 36°	32-113°F
FLT-SS09 (color)K-24V	DC 24V	8.9 W	689 lm	77.64 lm/W	CRI > 90	* 2,700K/3,000K/3,500K/4,000K	15° / 24° / 36°	32-113°F
FLT-SS09 (color)K-24V-DJ	DC 24V	8.9 W	689 lm	77.64 lm/W	CRI > 90	* 2,700K/3,000K/3,500K/4,000K	15° / 24° / 36°	32-113°F
FLT-SS15 (color)K-24V	DC 24V	14.75 W	1,068.8 lm	72.41 lm/W	CRI > 90	* 2,700K/3,000K/3,500K/4,000K	15° / 24° / 36°	32-113°F
FLT-SS15 (color)K-24V-DJ	DC 24V	14.75 W	1,068.8 lm	72.41 lm/W	CRI > 90	* 2,700K/3,000K/3,500K/4,000K	15° / 24° / 36°	32-113°F
FLT-SS20 (color)K-24V	DC 24V	20.8 W	1,510 lm	72.48 lm/W	CRI > 90	* 2,700K/3,000K/3,500K/4,000K	15° / 24° / 36°	32-113°F
FLT-SS20 (color)K-24V-DJ	DC 24V	20.8 W	1,510 lm	72.48 lm/W	CRI > 90	* 2,700K/3,000K/3,500K/4,000K	15° / 24° / 36°	32-113°F
FLT-SL06 (color)K-24V	DC 24V	6.3 W	435 lm	68.9 lm/W	CRI > 90	* 2,700K/3,000K/3,500K/4,000K	15° / 24° / 36°	32-113°F
FLT-SM02 (color)K-24V	DC 24V	1.7 W	98 lm	58.6 lm/W	CRI > 90	* 2,700K/3,000K/3,500K/4,000K	15° / 24° / 36°	32-113°F
FLT-SM12 (color)K-24V	DC 24V	12 W	1,025 lm	85.4 lm/W	CRI > 90	* 2,700K/3,000K/3,500K/4,000K	15° / 24° / 36°	32-113°F
FLT-LS10 (color)K-24V-L	DC 24V	4 W	329 lm	84.2 lm/W	CRI > 90	* 2,700K/3,000K/3,500K/4,000K	20° / 40° / 55°	32-113°F
FLT-LS30 (color)K-24V-L	DC 24V	11.5 W	1,049 lm	80 lm/W	CRI > 90	* 2,700K/3,000K/3,500K/4,000K	20° / 40° / 55°	32-113°F
FLT-LM30 (color)K-24V	DC 24V	10.3W	787.5 lm	76.5 lm/W	CRI > 90	* 2,700K/3,000K/3,500K/4,000K	130°	32-113°F
FLT-SP20 (color)K-24V	DC 24V	2.3 W	114 lm	50.54 lm/W	CRI > 90	* 2,700K/3,000K/3,500K/4,000K	15° / 24° / 36°	32-113°F
FLT-SP30 (color)K-24V	DC 24V	2.3 W	113.62 lm	50.44 lm/W	CRI > 90	* 2,700K/3,000K/3,500K/4,000K	15° / 24° / 36°	32-113°F

## FLT-SS06



\* FLT-SS06 Double Joint available

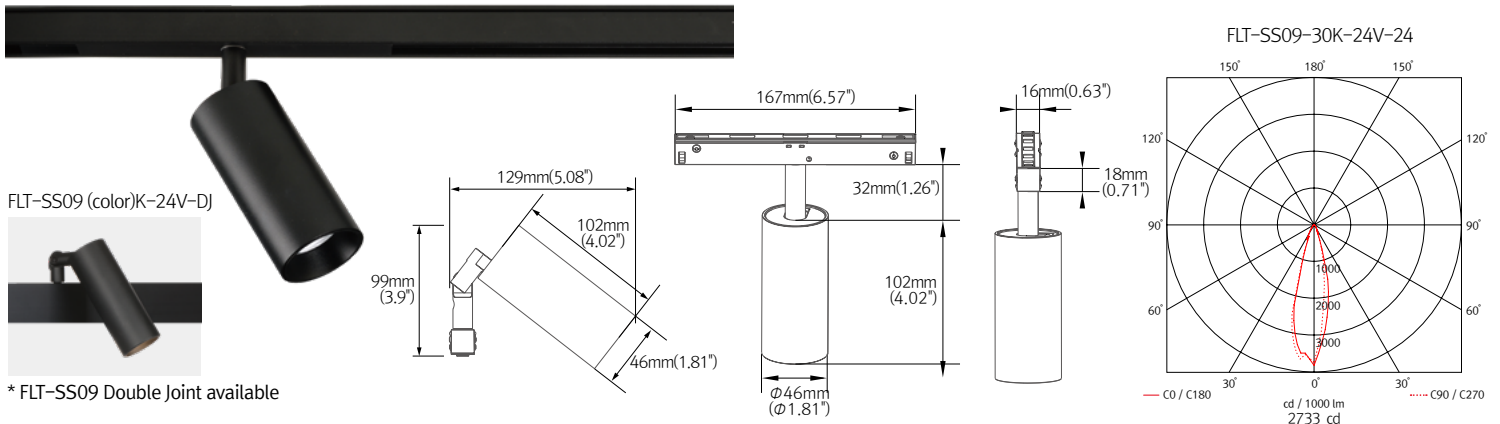
3000K performance data given. Refer to individual luminaire IES files for other CCTs.

Model Name	Power Input	Lamp Power	Luminous Flux	Luminous Efficacy	Color Rendering Index	Color Temperature (CCT)	Beam Angle	Weight of Luminaire	Operating Temperature
FLT-SS06 (color)K-24V	DC 24V	6.3 W	438.1 lm	69.7 lm/W	CRI > 90	+2700K/3000K/3500K/4000K	15° / 24° / 36°	222g	32-113°F

### ORDERING GUIDE Please refer to Page 10 for Track Compatibility.

MODEL	COLOR TEMPERATURE(CCT)	VOLTAGE	BODY FINISH	BEAM ANGLE
FLT-SS06 FLT-SS06-DJ	27K -2700K 30K -3000K 35K -3500K 40K -4000K	24V	BK -Black WT -White	15° 24° 36°

## FLT-SS09



\* FLT-SS09 Double Joint available

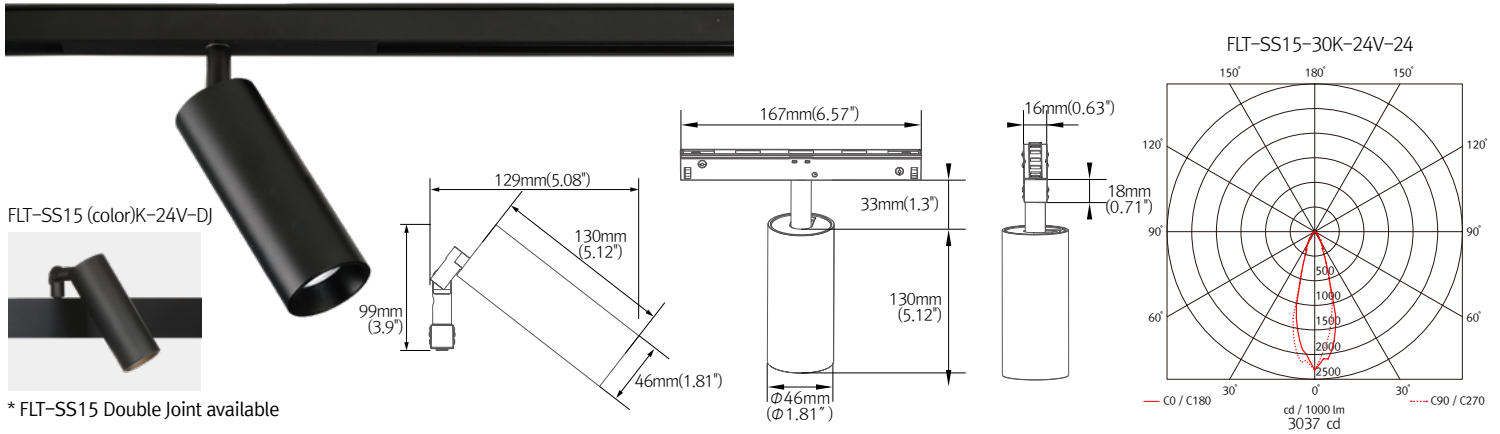
3000K performance data given. Refer to individual luminaire IES files for other CCTs.

Model Name	Power Input	Lamp Power	Luminous Flux	Luminous Efficacy	Color Rendering Index	Color Temperature (CCT)	Beam Angle	Weight of Luminaire	Operating Temperature
FLT-SS09 (color)K-24V	DC 24V	8.9 W	689 lm	77.64 lm/W	CRI > 90	+2700K/3000K/3500K/4000K	15° / 24° / 36°	226g	32-113°F

### ORDERING GUIDE Please refer to Page 10 for Track Compatibility.

MODEL	COLOR TEMPERATURE(CCT)	VOLTAGE	BODY FINISH	BEAM ANGLE
FLT-SS09 FLT-SS09-DJ	27K -2700K 30K -3000K 35K -3500K 40K -4000K	24V	BK -Black WT -White	15° 24° 36°

## FLT-SS15

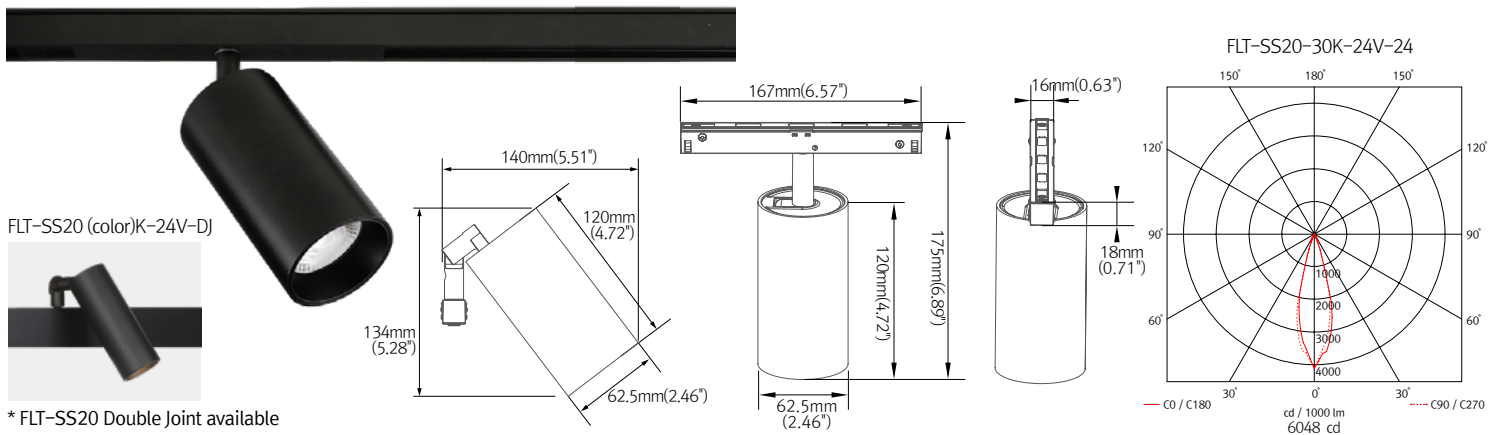


Model Name	Power Input	Lamp Power	Luminous Flux	Luminous Efficacy	Color Rendering Index	Color Temperature (CCT)	Beam Angle	Weight of Luminaire	Operating Temperature
FLT-SS15 (color)K-24V	DC 24V	14.75 W	1068.8 lm	72.41 lm/W	CRI > 90	+2700K/3000K/3500K/4000K	15° / 24° / 36°	294g	32-113°F

### ORDERING GUIDE Please refer to Page 10 for Track Compatibility.

MODEL	COLOR TEMPERATURE(CCT)	VOLTAGE	BODY FINISH	BEAM ANGLE
<div style="border: 1px solid black; width: 100px; height: 20px; margin-bottom: 5px;"></div> <div style="border: 1px solid black; width: 100px; height: 20px; margin-bottom: 5px;"></div> <div style="border: 1px solid black; width: 100px; height: 20px; margin-bottom: 5px;"></div> <div style="border: 1px solid black; width: 100px; height: 20px; margin-bottom: 5px;"></div>	<div style="border: 1px solid black; width: 100px; height: 20px; margin-bottom: 5px;"></div> <div style="border: 1px solid black; width: 100px; height: 20px; margin-bottom: 5px;"></div> <div style="border: 1px solid black; width: 100px; height: 20px; margin-bottom: 5px;"></div> <div style="border: 1px solid black; width: 100px; height: 20px; margin-bottom: 5px;"></div>	<b>24V</b>	<div style="border: 1px solid black; width: 100px; height: 20px; margin-bottom: 5px;"></div> <div style="border: 1px solid black; width: 100px; height: 20px; margin-bottom: 5px;"></div>	<div style="border: 1px solid black; width: 100px; height: 20px; margin-bottom: 5px;"></div> <div style="border: 1px solid black; width: 100px; height: 20px; margin-bottom: 5px;"></div>
FLT-SS15 FLT-SS15-DJ	27K -2700K 30K -3000K 35K -3500K 40K -4000K		BK -Black WT -White	15° 24° 36°

## FLT-SS20

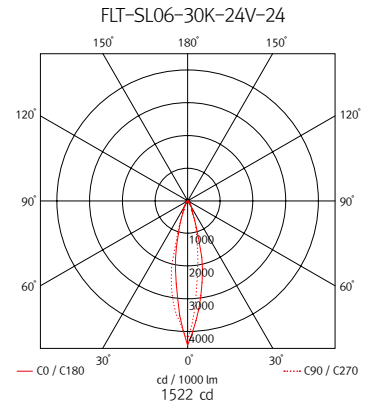
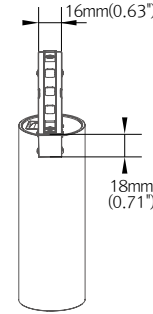
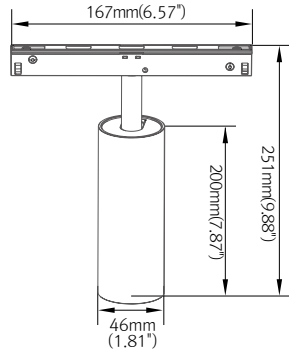


Model Name	Power Input	Lamp Power	Luminous Flux	Luminous Efficacy	Color Rendering Index	Color Temperature (CCT)	Beam Angle	Weight of Luminaire	Operating Temperature
FLT-SS20 (color)K-24V	DC 24V	20.84 W	1510 lm	72.48 lm/W	CRI > 90	+2700K/3000K/3500K/4000K	15° / 24° / 36°	358g	32-113°F

### ORDERING GUIDE Please refer to Page 10 for Track Compatibility.

MODEL	COLOR TEMPERATURE(CCT)	VOLTAGE	BODY FINISH	BEAM ANGLE
<div style="border: 1px solid black; width: 100px; height: 20px; margin-bottom: 5px;"></div> <div style="border: 1px solid black; width: 100px; height: 20px; margin-bottom: 5px;"></div> <div style="border: 1px solid black; width: 100px; height: 20px; margin-bottom: 5px;"></div> <div style="border: 1px solid black; width: 100px; height: 20px; margin-bottom: 5px;"></div>	<div style="border: 1px solid black; width: 100px; height: 20px; margin-bottom: 5px;"></div> <div style="border: 1px solid black; width: 100px; height: 20px; margin-bottom: 5px;"></div> <div style="border: 1px solid black; width: 100px; height: 20px; margin-bottom: 5px;"></div> <div style="border: 1px solid black; width: 100px; height: 20px; margin-bottom: 5px;"></div>	<b>24V</b>	<div style="border: 1px solid black; width: 100px; height: 20px; margin-bottom: 5px;"></div> <div style="border: 1px solid black; width: 100px; height: 20px; margin-bottom: 5px;"></div>	<div style="border: 1px solid black; width: 100px; height: 20px; margin-bottom: 5px;"></div> <div style="border: 1px solid black; width: 100px; height: 20px; margin-bottom: 5px;"></div>
FLT-SS20 FLT-SS20-DJ	27K -2700K 30K -3000K 35K -3500K 40K -4000K		BK -Black WT -White	15° 24° 36°

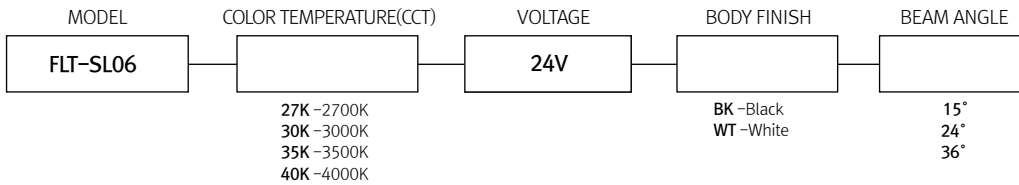
## FLT-SL06



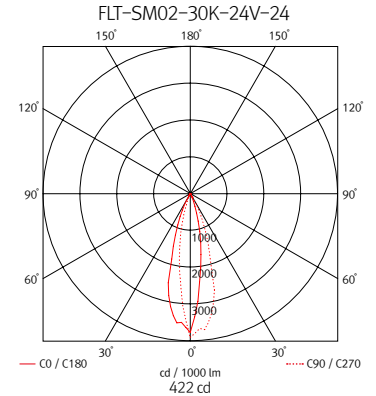
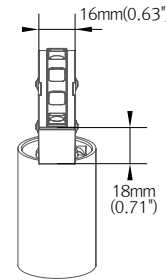
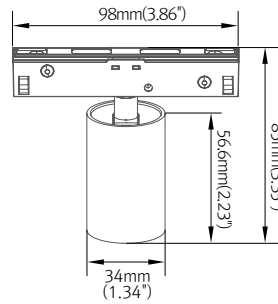
3000K performance data given. Refer to individual luminaire IES files for other CCTs.

Model Name	Power Input	Lamp Power	Luminous Flux	Luminous Efficacy	Color Rendering Index	Color Temperature (CCT)	Beam Angle	Weight of Luminaire	Operating Temperature
FLT-SL06 (color)K-24V	DC 24V	6.3 W	435 lm	68.9 lm/W	CRI > 90	*2700K/3000K/3500K/4000K	15° / 24° / 36°	335g	32-113°F

### ORDERING GUIDE Please refer to Page 10 for Track Compatibility.



## FLT-SM02



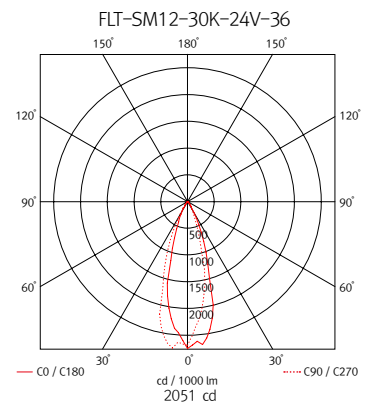
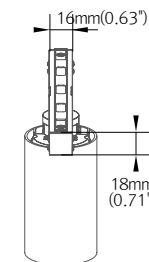
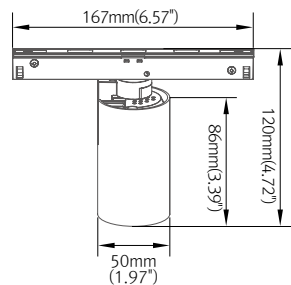
3000K performance data given. Refer to individual luminaire IES files for other CCTs.

Model Name	Power Input	Lamp Power	Luminous Flux	Luminous Efficacy	Color Rendering Index	Color Temperature (CCT)	Beam Angle	Weight of Luminaire	Operating Temperature
FLT-SM02 (color)K-24V	DC 24V	1.7 W	98 lm	58.6 lm/W	CRI > 90	+2700K/3000K/3500K/4000K	15°/24°/36°	117g	32-113°F

### ORDERING GUIDE Please refer to Page 10 for Track Compatibility.

MODEL	COLOR TEMPERATURE(CCT)	VOLTAGE	BODY FINISH	BEAM ANGLE
FLT-SM02	27K -2700K 30K -3000K 35K -3500K 40K -4000K	24V	BK -Black WT -White	15° 24° 36°

## FLT-SM12



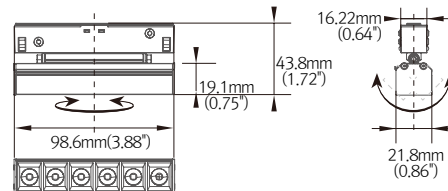
3000K performance data given. Refer to individual luminaire IES files for other CCTs.

Model Name	Power Input	Lamp Power	Luminous Flux	Luminous Efficacy	Color Rendering Index	Color Temperature (CCT)	Beam Angle	Weight of Luminaire	Operating Temperature
FLT-SM12 (color)K-24V	DC 24V	12 W	1025 lm	85.4 lm/W	CRI > 90	+2700K/3000K/3500K/4000K	15°/24°/36°	240g	32-113°F

### ORDERING GUIDE Please refer to Page 10 for Track Compatibility.

MODEL	COLOR TEMPERATURE(CCT)	VOLTAGE	BODY FINISH	BEAM ANGLE
FLT-SM12	27K -2700K 30K -3000K 35K -3500K 40K -4000K	24V	BK -Black WT -White	15° 24° 36°

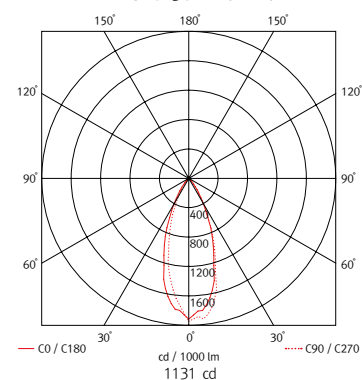
## FLT-LS10-L



3000K performance data given. Refer to individual luminaire IES files for other CCTs.

Model Name	Power Input	Lamp Power	Luminous Flux	Luminous Efficacy	Color Rendering Index	Color Temperature (CCT)	Beam Angle	Weight of Luminaire	Operating Temperature
FLT-LS10 (color)K-24V-L	DC 24V	4 W	329 lm	84.2 lm/W	CRI90 SDCM<3	2700K 3000K 3500K 4000K	20° 40° 55°	108g	32-113°F

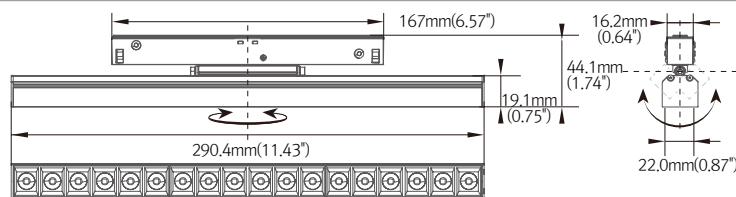
FLT-LS10-30K-24V-24-L



### ORDERING GUIDE Please refer to Page 10 for Track Compatibility.

MODEL	COLOR TEMPERATURE(CCT)	VOLTAGE	BODY FINISH	BEAM ANGLE
FLT-LS10-L	27K -2700K 30K -3000K 35K -3500K 40K -4000K	24V	BK -Black WT -White	20° 40° 55°

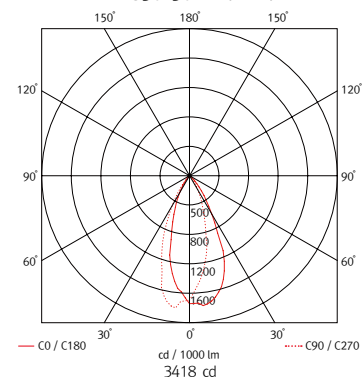
## FLT-LS30-L



3000K performance data given. Refer to individual luminaire IES files for other CCTs.

Model Name	Power Input	Lamp Power	Luminous Flux	Luminous Efficacy	Color Rendering Index	Color Temperature (CCT)	Beam Angle	Weight of Luminaire	Operating Temperature
FLT-LS30 (color)K-24V-L	DC 24V	12W	1049lm	80 lm/W	CRI90 SDCM<3	2700K 3000K 3500K 4000K	20° 40° 55°	181g	32-113°F

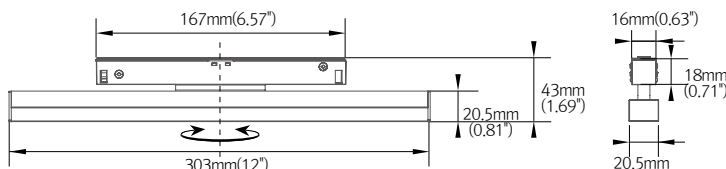
FLT-LS30-30K-24V-24-L



### ORDERING GUIDE Please refer to Page 10 for Track Compatibility.

MODEL	COLOR TEMPERATURE(CCT)	VOLTAGE	BODY FINISH	BEAM ANGLE
FLT-LS30-L	27K -2700K 30K -3000K 35K -3500K 40K -4000K	24V	BK -Black WT -White	20° 40° 55°

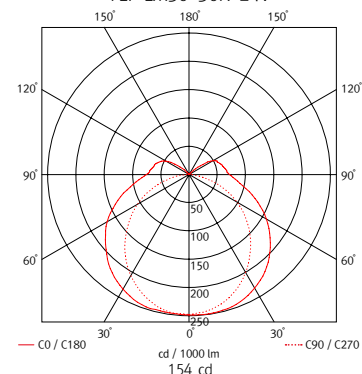
## FLT-LM30



3000K performance data given. Refer to individual luminaire IES files for other CCTs.

Model Name	Power Input	Lamp Power	Luminous Flux	Luminous Efficacy	Color Rendering Index	Color Temperature (CCT)	Beam Angle	Weight of Luminaire	Operating Temperature
FLT-LM30 (color)K-24V	DC 24V	10.3W	787.5lm	76.5 lm/W	CRI90 SDCM<3	2700K 3000K 3500K 4000K	130°	158g	32-113°F

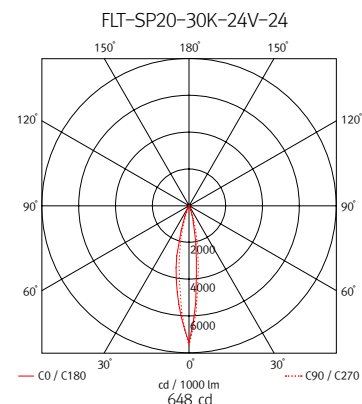
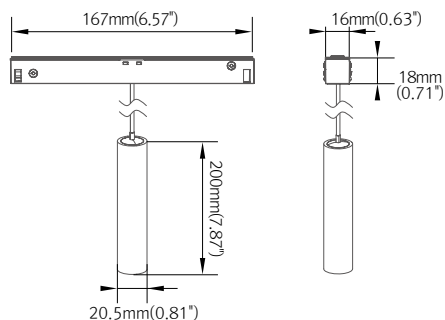
FLT-LM30-30K-24V



### ORDERING GUIDE Please refer to Page 10 for Track Compatibility.

MODEL	COLOR TEMPERATURE(CCT)	VOLTAGE	BODY FINISH	BEAM ANGLE
FLT-LM30	27K -2700K 30K -3000K 35K -3500K 40K -4000K	24V	BK -Black WT -White	130°

## FLT-SP20



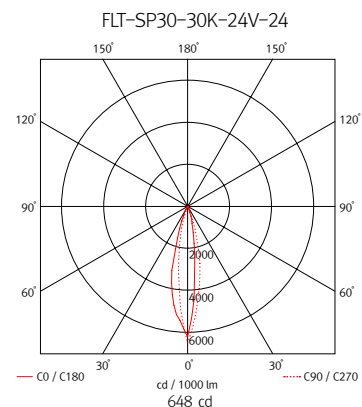
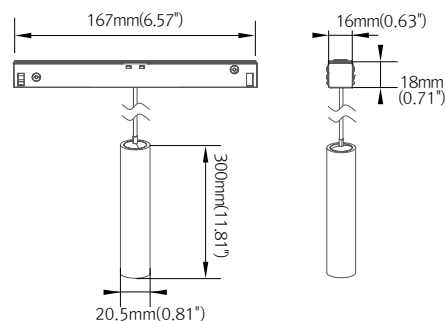
3000K performance data given. Refer to individual luminaire IES files for other CCTs.

Model Name	Power Input	Lamp Power	Luminous Flux	Luminous Efficacy	Color Rendering Index	Color Temperature (CCT)	Beam Angle	Weight of Luminaire	Operating Temperature
FLT-SP20 (color)K-24V	DC 24V	2.8 W	80.6 lm	28.7 lm/W	CRI > 90	*2700K/3000K/3500K/4000K	15°/24°/36°	213g	32-113°F

### ORDERING GUIDE Please refer to Page 10 for Track Compatibility.

MODEL	COLOR TEMPERATURE(CCT)	VOLTAGE	BODY FINISH	BEAM ANGLE
FLT-SP20	27K -2700K 30K -3000K 35K -3500K 40K -4000K	24V	BK -Black WT -White	15° 24° 36°

## FLT-SP30



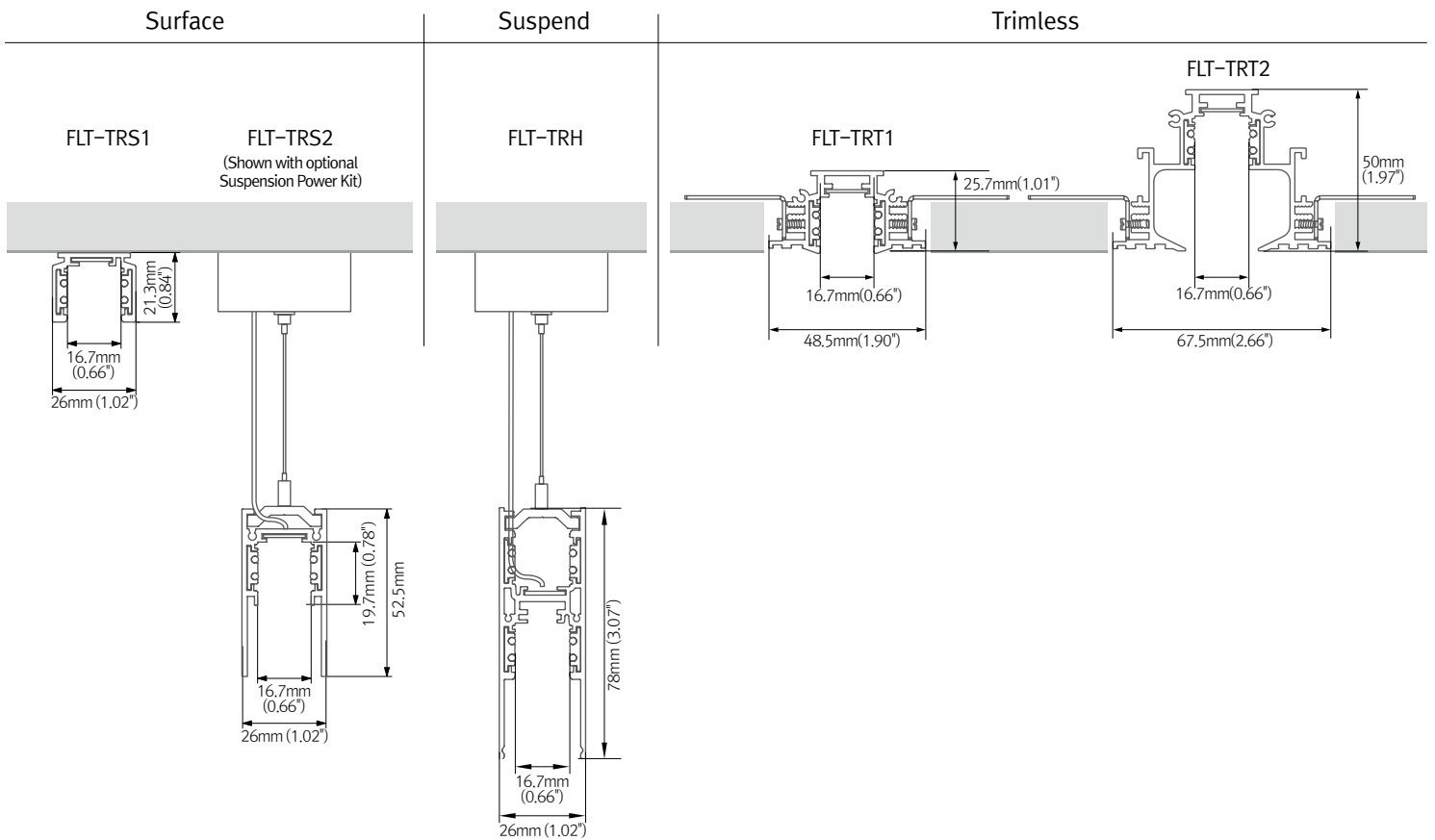
3000K performance data given. Refer to individual luminaire IES files for other CCTs.

Model Name	Power Input	Lamp Power	Luminous Flux	Luminous Efficacy	Color Rendering Index	Color Temperature (CCT)	Beam Angle	Weight of Luminaire	Operating Temperature
FLT-SP30 (color)K-24V	DC 24V	2.8 W	80.6 lm	28.7 lm/W	CRI > 90	*2700K/3000K/3500K/4000K	15°/24°/36°	294g	32-113°F

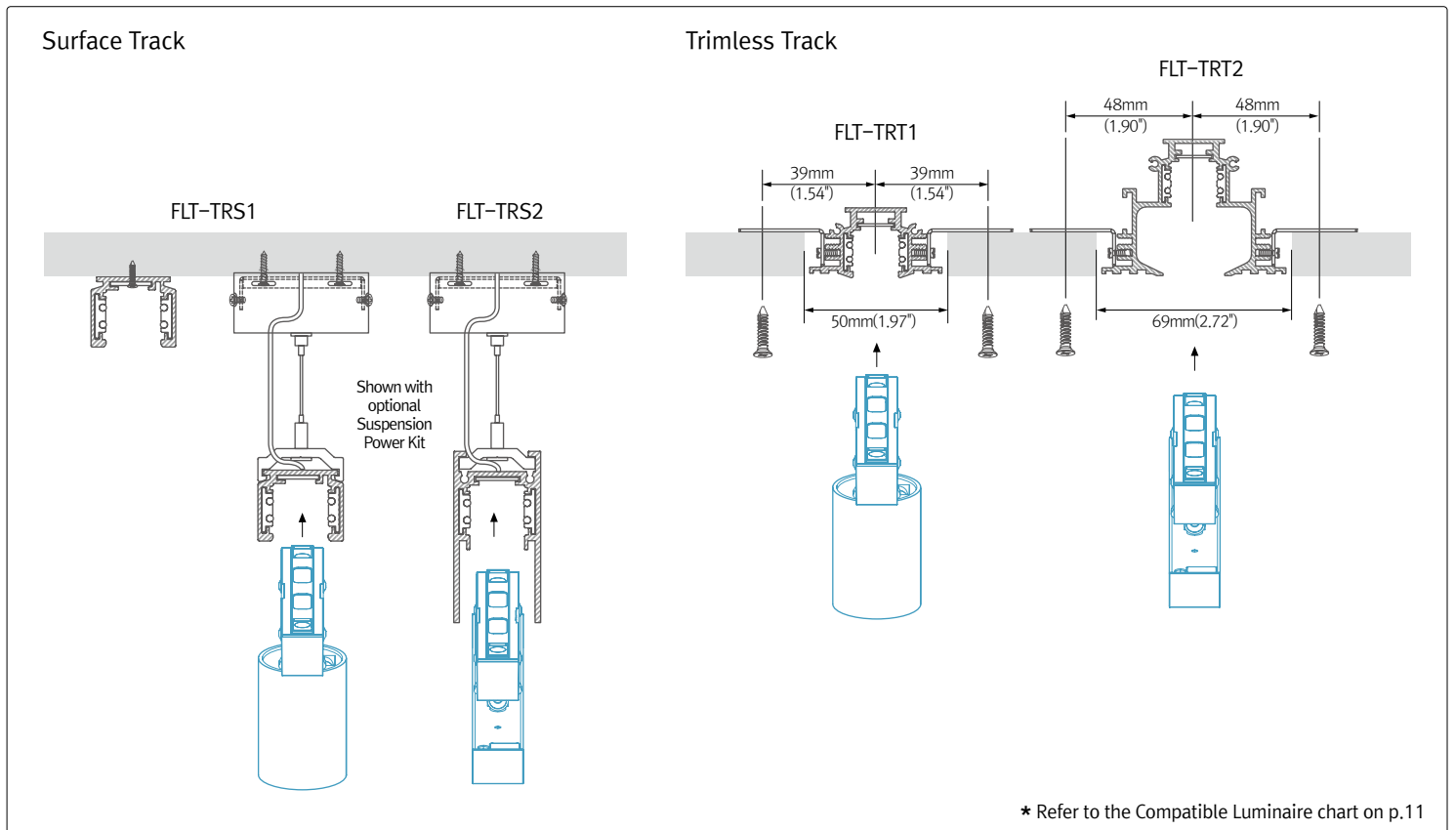
### ORDERING GUIDE Please refer to Page 10 for Track Compatibility.

MODEL	COLOR TEMPERATURE(CCT)	VOLTAGE	BODY FINISH	BEAM ANGLE
FLT-SP30	27K -2700K 30K -3000K 35K -3500K 40K -4000K	24V	BK -Black WT -White	15° 24° 36°

## Dimension



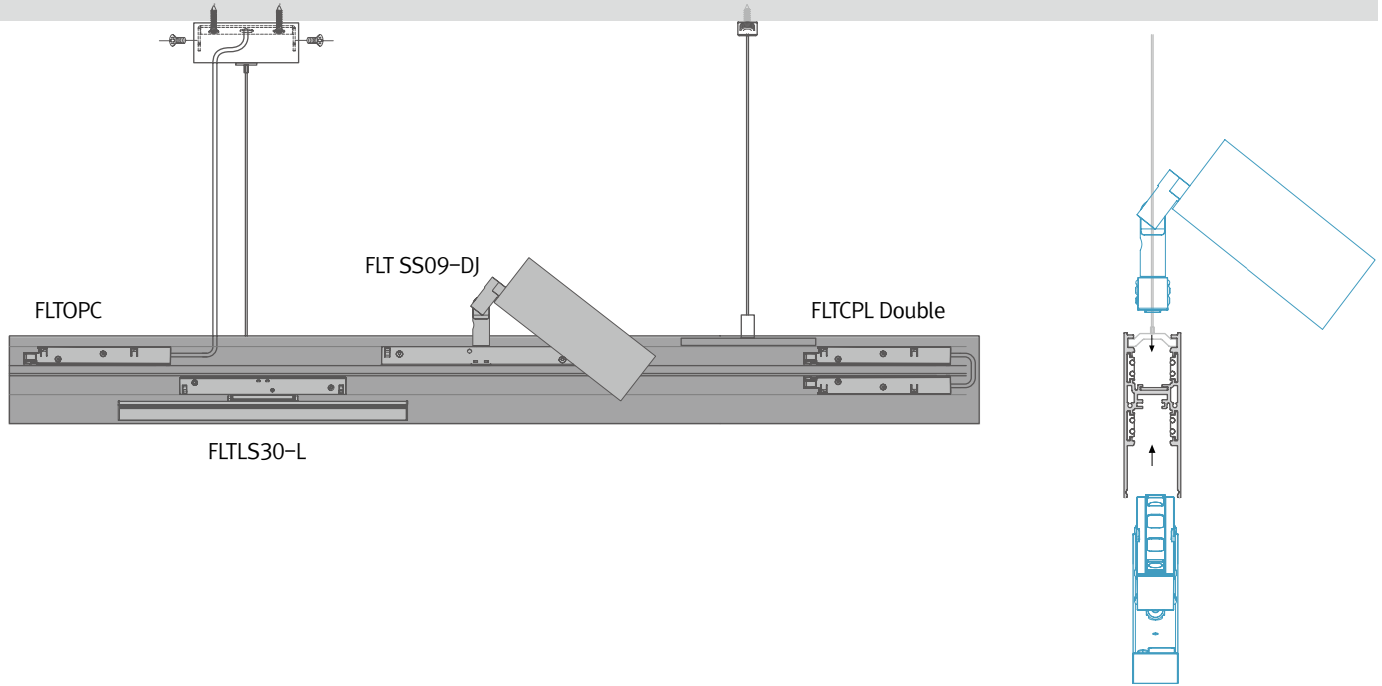
## Installation \*



\* Refer to the Compatible Luminaire chart on p.11




## Suspended Track

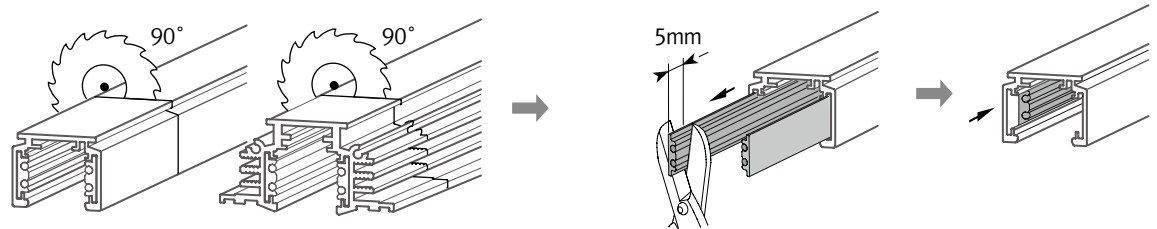


Extrusion length

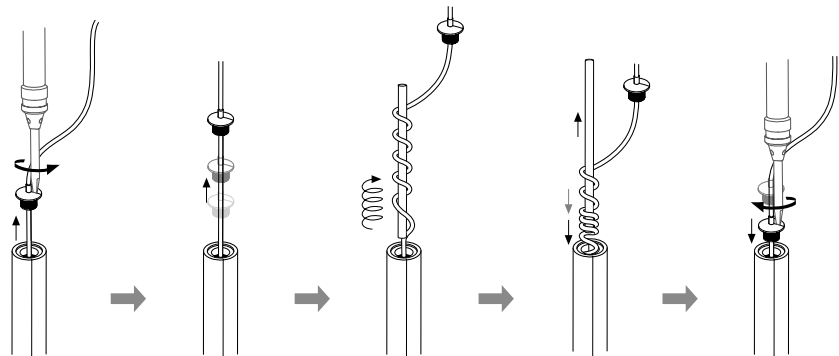
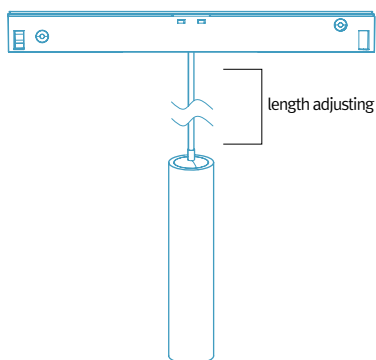
Cutting track

1200mm,  
2400mm

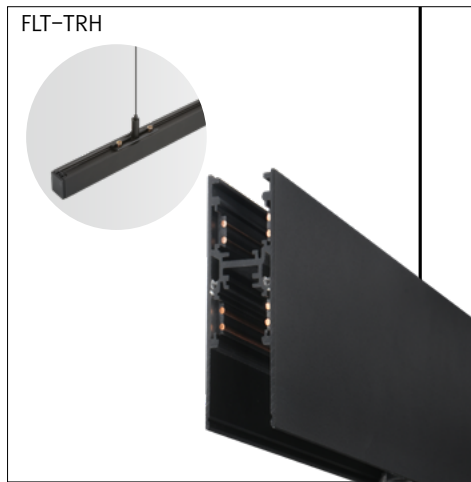
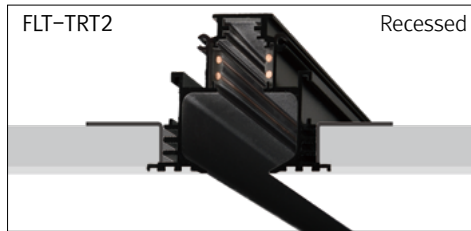
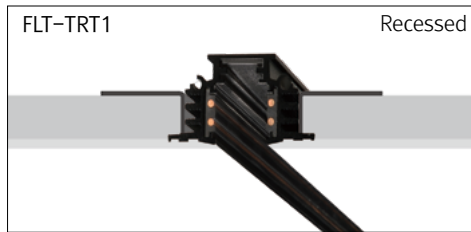
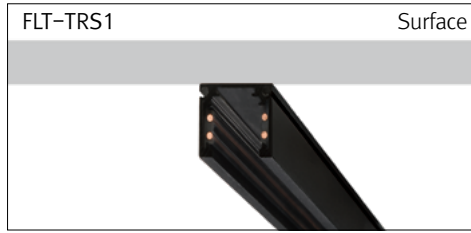
 Use special pliers to trim the ends of all 4 copper conductors, then remove and discard the trimmings.



## FLT-SP20, SP30 length adjusting

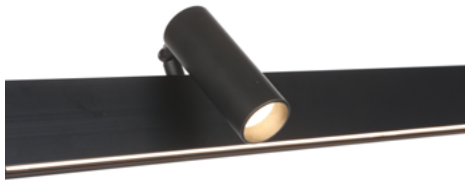


## FLT Track



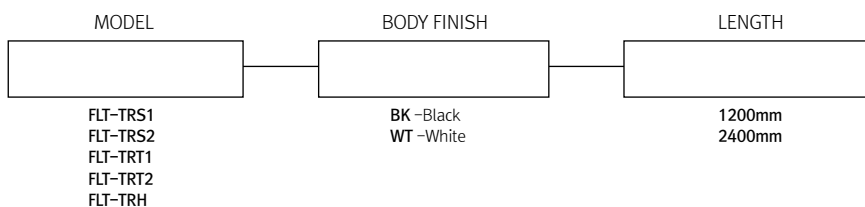
Compatible Luminaires					
Luminaire	FLT-TRS1	FLT-TRS2	FLT-TRT1	FLT-TRT2	FLT-TRH
FLT-SS06	○	○	○	○	○
FLT-SS06-Double joint	○	○	○	○	○
FLT-SS09 *	○	○	○	○	○
FLT-SS09-Double joint	○	○	○	○	○
FLT-SS15	○	○	○	○	○
FLT-SS15-Double joint	○	○	○	○	○
FLT-SS20	○	○	○	○	○
FLT-SS20-Double joint	○	○	○	○	○
FLT-SL06	○	○	○	○	○
FLT-SM02	○		○		
FLT-SM12	○		○		
FLT-LS15 *	○	○	○	○	○
FLT-LS30 *	○	○	○	○	○
FLT-LM30 *	○	○	○	○	○
FLT-SP20	○	○	○	○	○
FLT-SP30	○	○	○	○	○

\*Installation into the FLT-TRS2 track or the FLT-TRT2 track disables the ability to tilt and rotate the luminaire.



-Double joint

## ORDERING GUIDE



## Components

BK : Black / WT : white

	<b>Power Connector</b> _FLT0PC-BK _FLT0PC-WT		<b>Suspension Power Kit for TRS1</b> _FLT-SK-POWER1-BK _FLT-SK-POWER1-WT		<b>90 degree connector for TRT1</b> __FLT-TRT1-90
	<b>Direct Connector</b> _FLTCPL-BK _FLTCPL-WT		<b>Suspension Bracket for TRS1</b> _FLT-SK-BRACKET1-BK _FLT-SK-BRACKET1-WT		<b>90 degree connector for TRT2</b> __FLT-TRT2-90
	<b>Direct Connector (Non-conductive)</b> _FLTCPL-NC-BK _FLTCPL-NC-WT		<b>Suspension Power Kit for TRS2</b> _FLT-SK-POWER2-BK _FLT-SK-POWER2-WT		<b>Dimming Interface</b> __FDC-L10 * Max. 100W (100W/CH, 1CH) 0-10V Signal * Required to Dim to Warm
	<b>90° Connector</b> _FLTCPL-90-BK _FLTCPL-90-WT		<b>Suspension Bracket for TRS2</b> _FLT-SK-BRACKET2-BK _FLT-SK-BRACKET2-WT		<b>Dimming Interface (48V) (0-10V/1-10V)</b> __FDD-L20 (MAX. 400W (200W/CH, 2CH))
	<b>90° Connector (Non-conductive)</b> _FLTCPL-90-NC-BK _FLTCPL-90-NC-WT		<b>Joint Bracket for TRS1</b> _FLT-TRS1-JOINT-BK		<b>12 Port Hub</b> __D12P-HUB Included with Cord and Plug drivers. Order separately for Hard Wire or 3rd Party Drivers
	<b>Flexible Connector</b> _FLTPTC- FLEX-BK _FLTPTC- FLEX-WT		<b>Joint Bracket for TRS2</b> _FLT-TRS2-JOINT-BK _FLT-TRS2-JOINT-WT		<b>LED Drivers</b> __FLC30-24V/XL (30W) * __FLC75-24V/XL (75W) * with distributor and power cord 1,800mm(6')
	<b>Color Filter</b> _FLT-Filter-20/R.G.B.Y (For SS20) _FLT-Filter-09/R.G.B.Y (For SS06,09,15)		<b>Joint Bracket for TRT1,2</b> _FLT-TRT-JOINT-BK		<b>Driver Junction Box</b> __MHWB-FLE
	<b>Honeycomb</b> _FLT-Honeycomb-20 (For SS20) _FLT-Honeycomb-09 (For SS06,09,15)		<b>Holder for TRT1 Track</b> _FLT-TRT1-HOLDER  Hold Track when installing		<b>Hard Wire Driver</b> __XLD200-224V-FCL-DIM __XLD75-124V-FC * (90V to 300V)
	<b>Anti-Glare Hood</b> _FLT-Hood-20 (For SS20) _FLT-Hood-09 (For SS06,09,15)		<b>Holder for TRT2 Track</b> _FLT-TRT2-HOLDER  Hold Track when installing		<b>Hard Wire Driver</b> __FLE60-24V-L10-DIM __FLE90-24V-L10-DIM Additional Power Supply/ Driver Options Available. Please consult Factory.
			<b>TRT WING for Trimless Track</b> _FLT-TRT-WING	<p style="color: red; font-weight: bold;">A larger selection of drivers are available including remote and hard wire drivers. Please consult factory.</p>	
			<b>Fixture Remover</b> _FLT-REMOVER		