

PRODUCT FEATURES

- Seamless Illumination
 - Lens Options: Flat Clear, Flat Frosted or Round Milky
 - Removable LED Lamp for Quick Maintenance
 - Integral Driver, 0-10v Philips Xitanium*
 - Dimming to 10%
- * Please consult factory for driver options
 * EM option not available
 * All projects require drawings and signed approvals
 * Made to Order Product - Contact Feelux for Lead Time

PRODUCT SPECIFICATIONS

- Voltage: AC 277V
- Operating Temperature: 32-113°F (0-45°C)
- Lamp Life: 50,000 hrs
- Available Color: 2700K, 3000K, 3500K, 4000K
- Degree of Protection IP20
- Optics:
 - FC - Flat Clear - 120°
 - FM - Flat Milky - 180°
 - RM - Round Milky - 220°
- Powder Coated Finish
- 5 year warranty

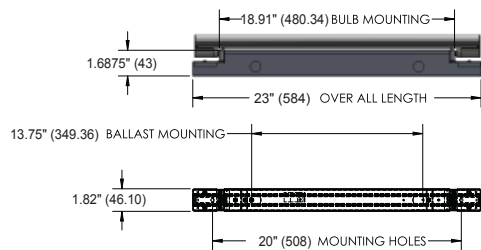
* Pending factory availability

DIMENSIONS



2' MODEL

SLMR-LED-10-PHRD77-WHT/LFBL10-(COLOR)K-(LENS)



Flat Diffuser – Clear or Frosted Options



ADD .5" TO HEIGHT

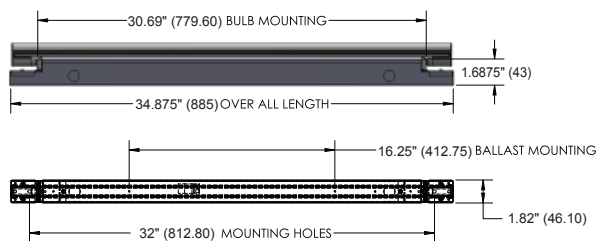
Round Diffuser



ADD 1" TO HEIGHT

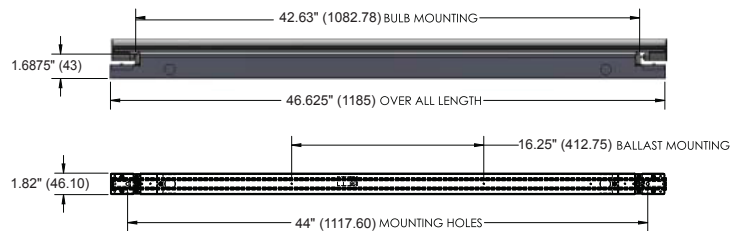
3' MODEL

SLMR-LED-15-PHRD77-WHT/LFBL15-(COLOR)K-(LENS)



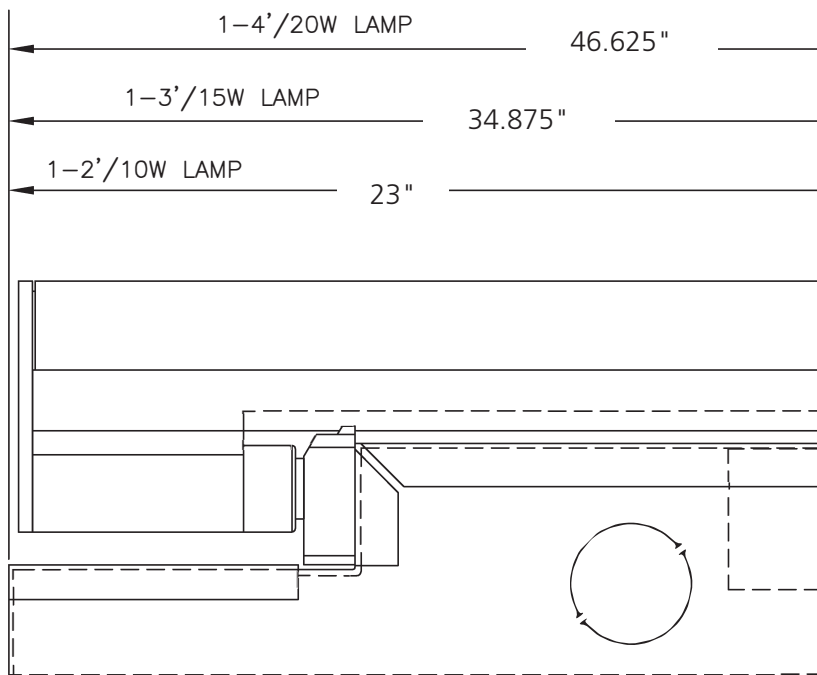
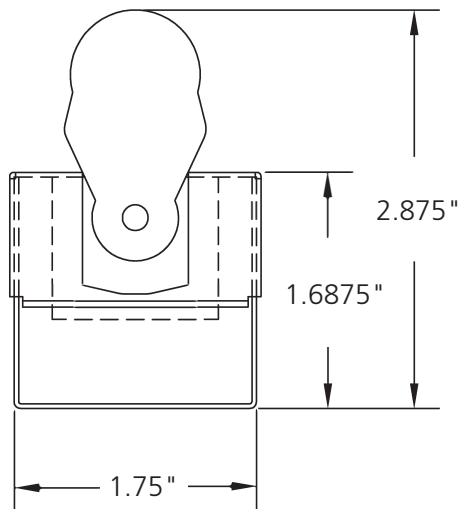
4' MODEL

SLMR-LED-20-PHRD77-WHT/LFBL20-(COLOR)K-(LENS)



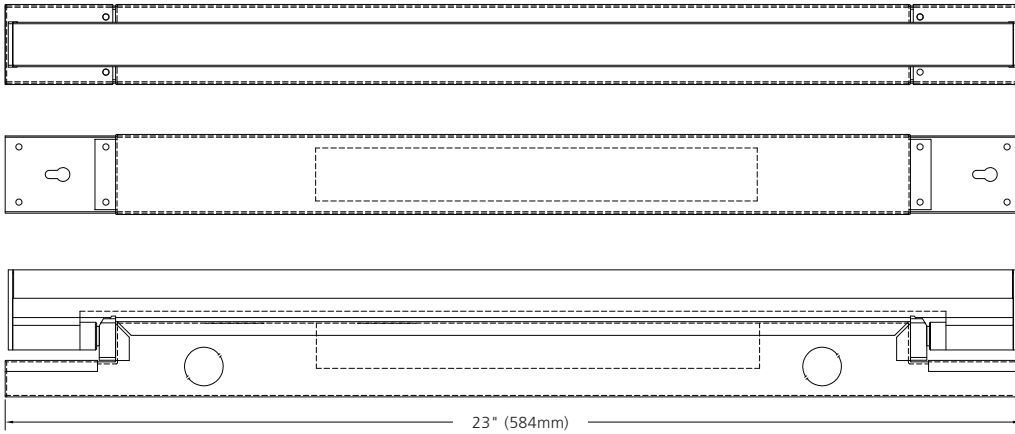
SLIMLED 07

20 GA STEEL BODY WITH
HIGH-REFLECTANCE WHITE FINISH
ELECTRONIC 120V-277V STANDARD
OR DIMMING DRIVERS



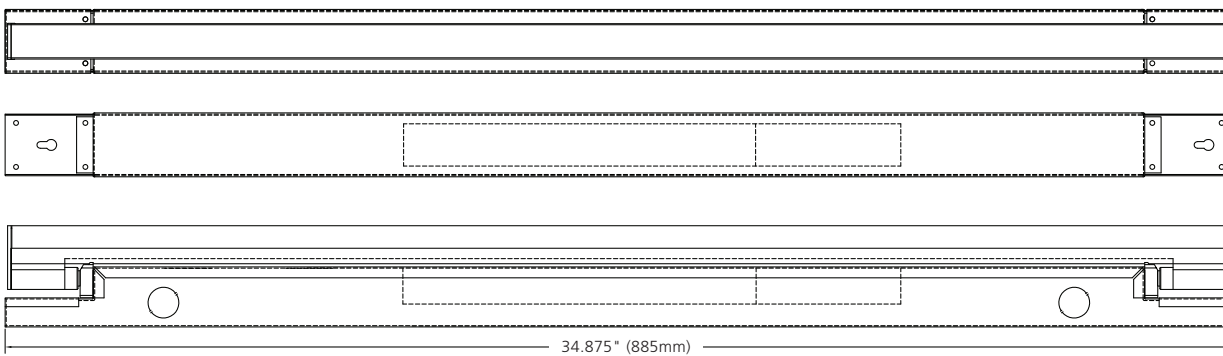
SLMR-LED-10-PHRD77-WHT/LFBL10-(COLOR)K-(LENS)

2' NOMINAL UNIT



SLMR-LED-15-PHRD77-WHT/LFBL15-(COLOR)K-(LENS)

3' NOMINAL UNIT



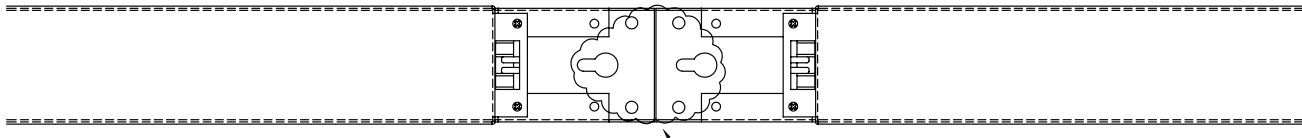
SLMR-LED-20-PHRD77-WHT/LFBL20-(COLOR)K-(LENS)

4' NOMINAL UNIT

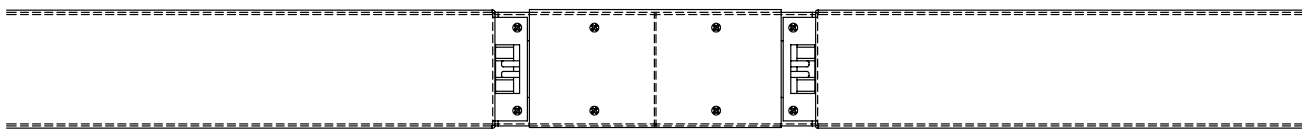


SEAMLESS M20 MOUNTING DETAILS

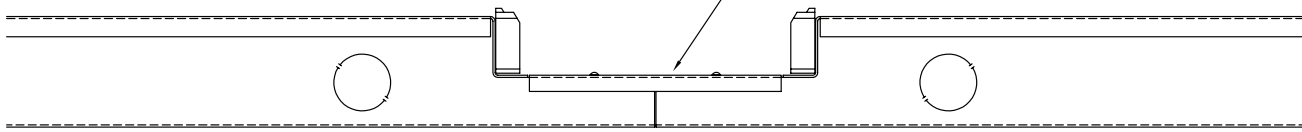
20 GA STEEL BODY WITH HIGH DIFFUSION – WHITE FINISH
 ELECTRONIC 277V DIMMING DRIVER



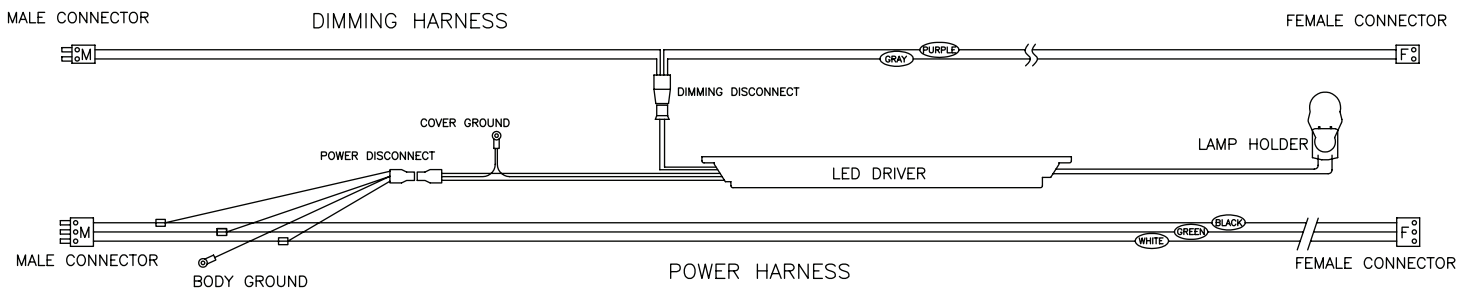
AVAILABLE MOUNTING HOLES



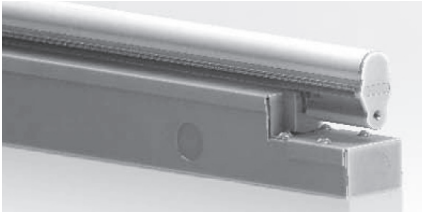
COUPLER COVER



SEAMLESS M20 WIRING SCHEMATIC

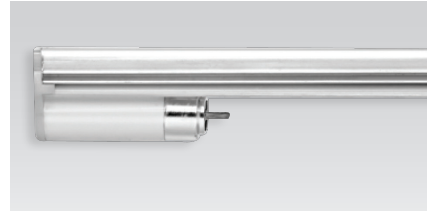


COMPONENTS



Fixture

- ___ SLMR-LED-10-PHRD77-WHT/LFBL10-(color)K-(Lens)
- ___ SLMR-LED-15-PHRD77-WHT/LFBL15-(color)K-(Lens)
- ___ SLMR-LED-20-PHRD77-WHT/LFBL20-(color)K-(Lens)



LED Lamp

- ___ Flat Clear LFBL10-(color)K-FC
- ___ Flat Clear LFBL15-(color)K-FC
- ___ Flat Clear LFBL20-(color)K-FC

- ___ Flat Frosted LFBL10-(color)K-FF
- ___ Flat Frosted LFBL15-(color)K-FF
- ___ Flat Frosted LFBL20-(color)K-FF

- ___ Round Milky LFBL10-(color)K-RM
- ___ Round Milky LFBL15-(color)K-RM
- ___ Round Milky LFBL20-(color)K-RM

SPECIFICATION GUIDE: NOT TO BE USED FOR ORDERING. The Specification Guide is intended solely to ensure that all options are considered.

