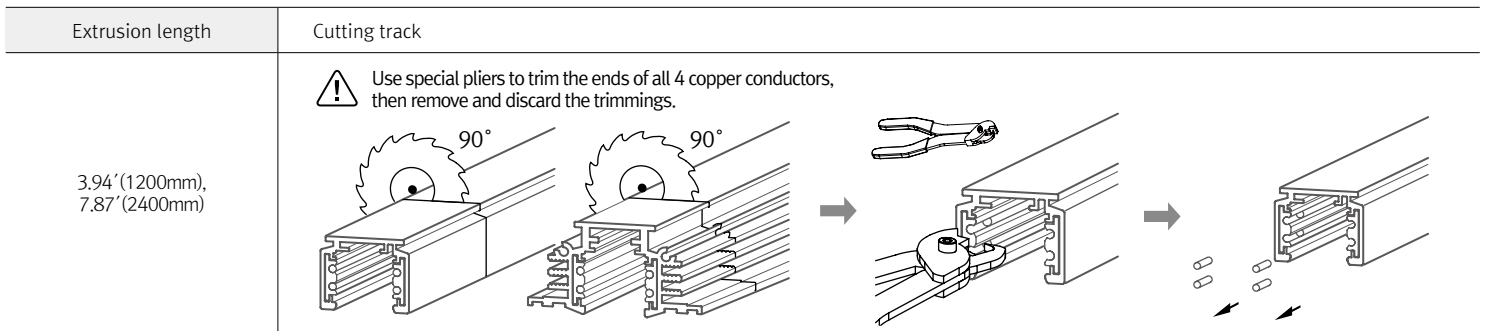
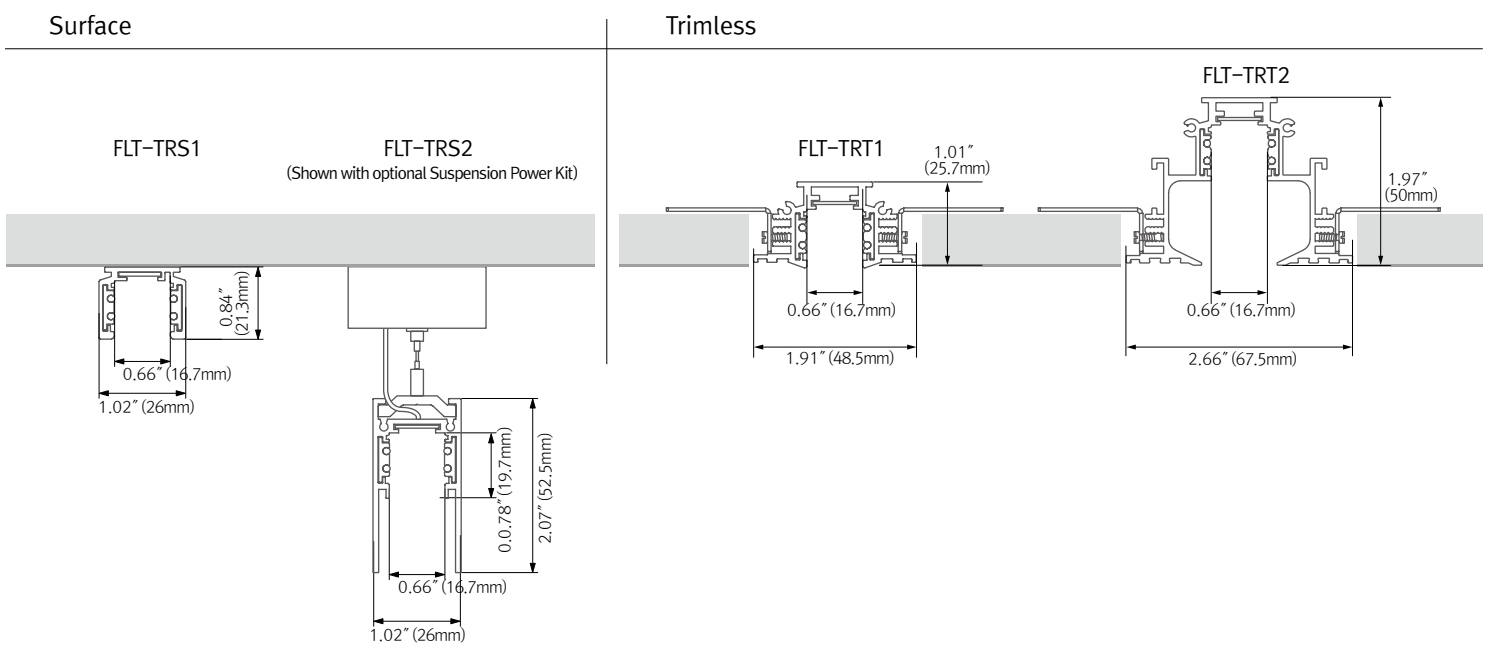
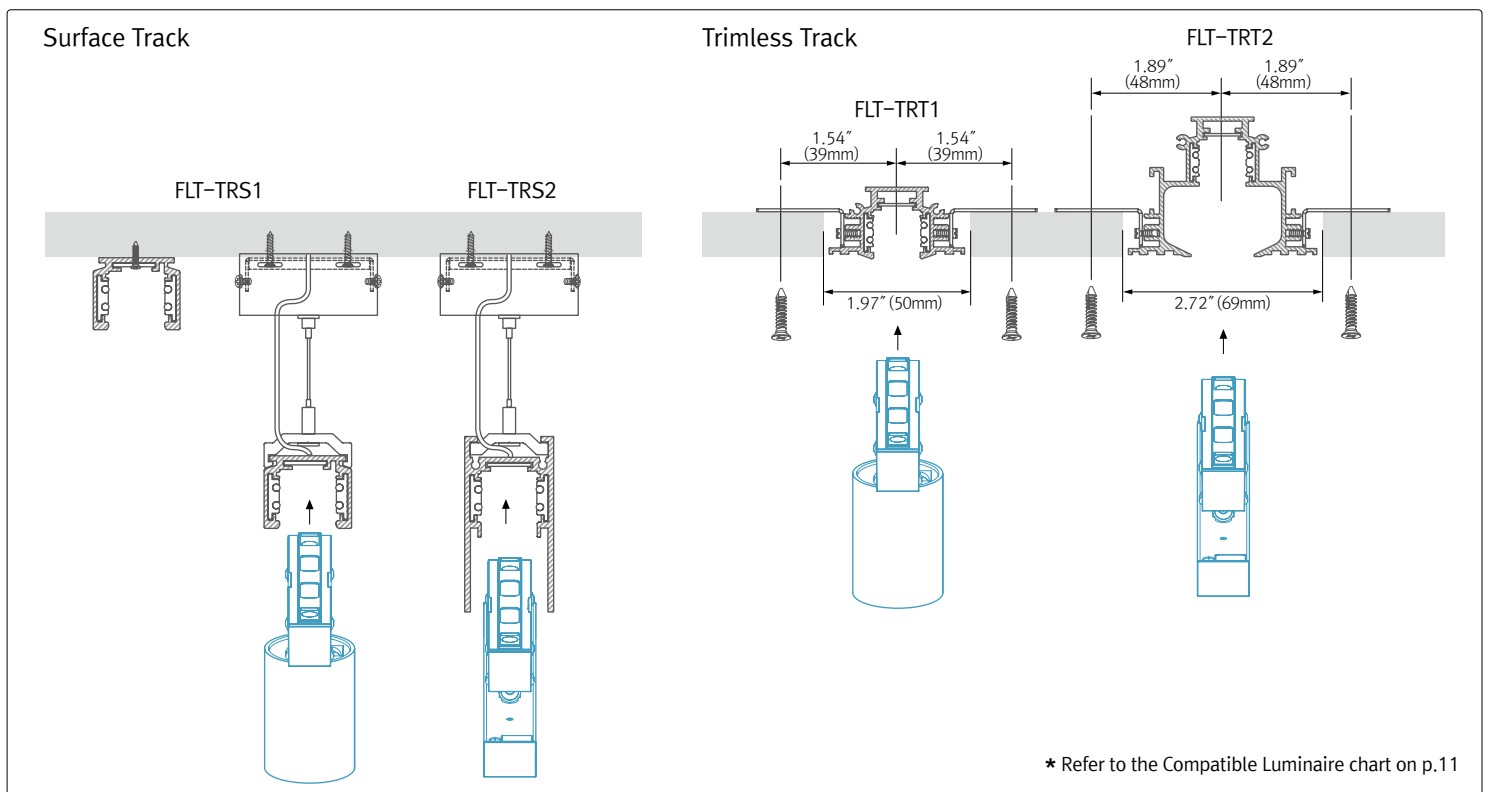


Dimension

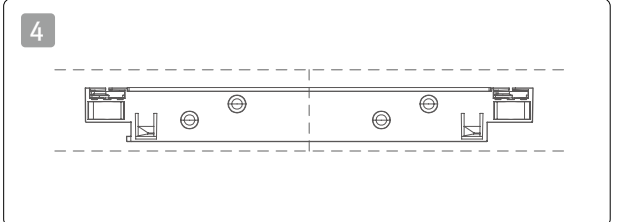
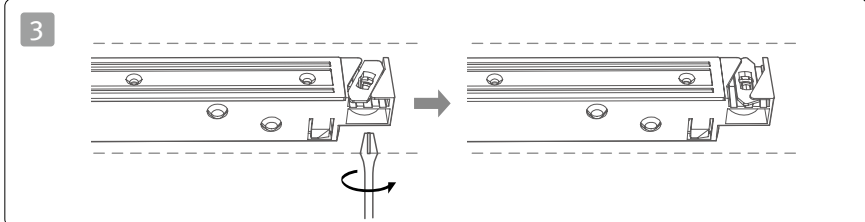
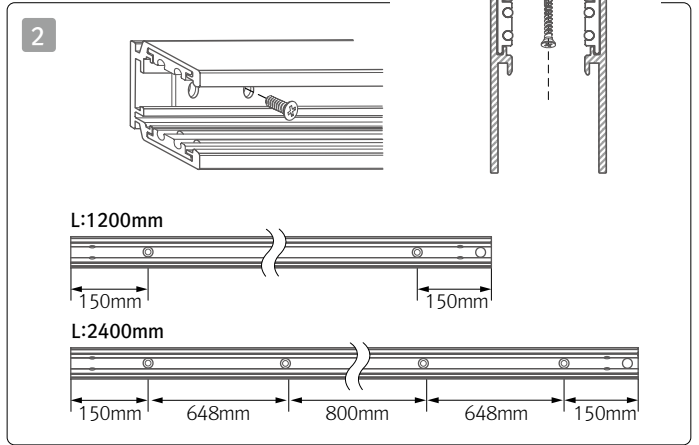
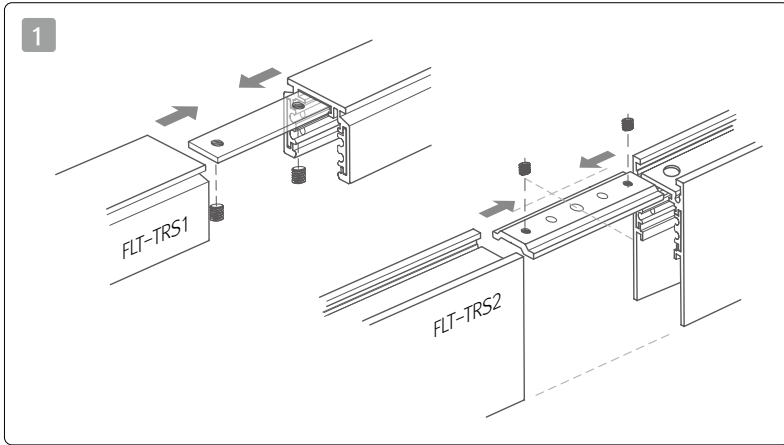
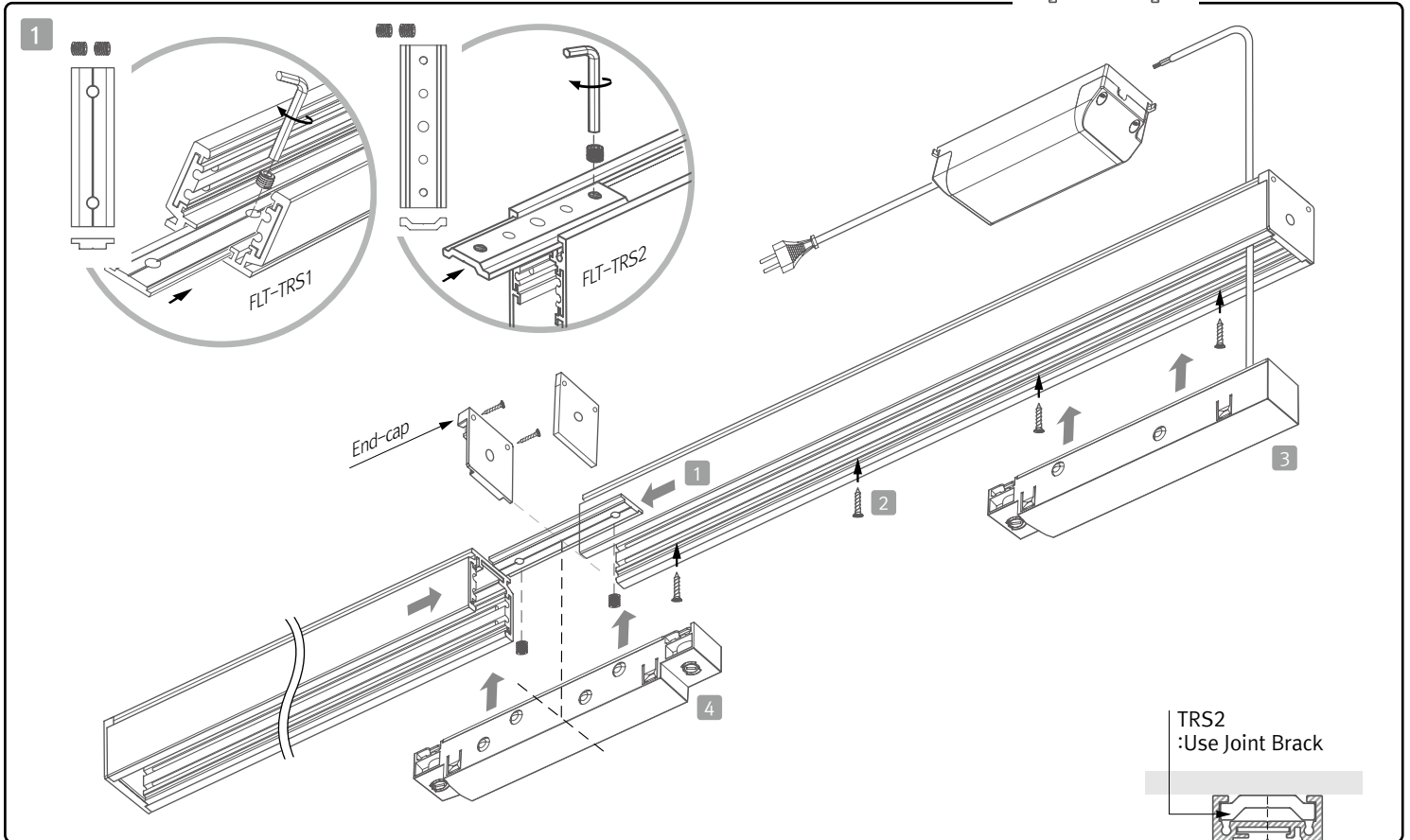
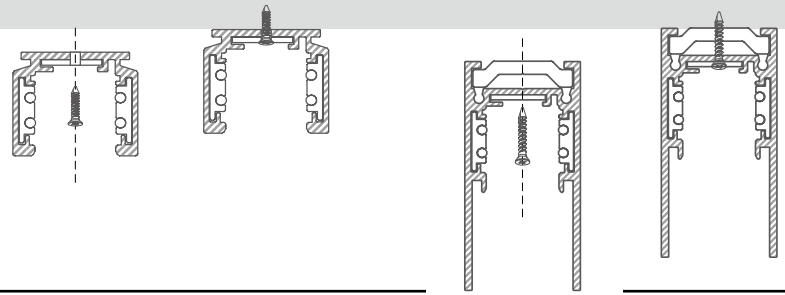


Installation *

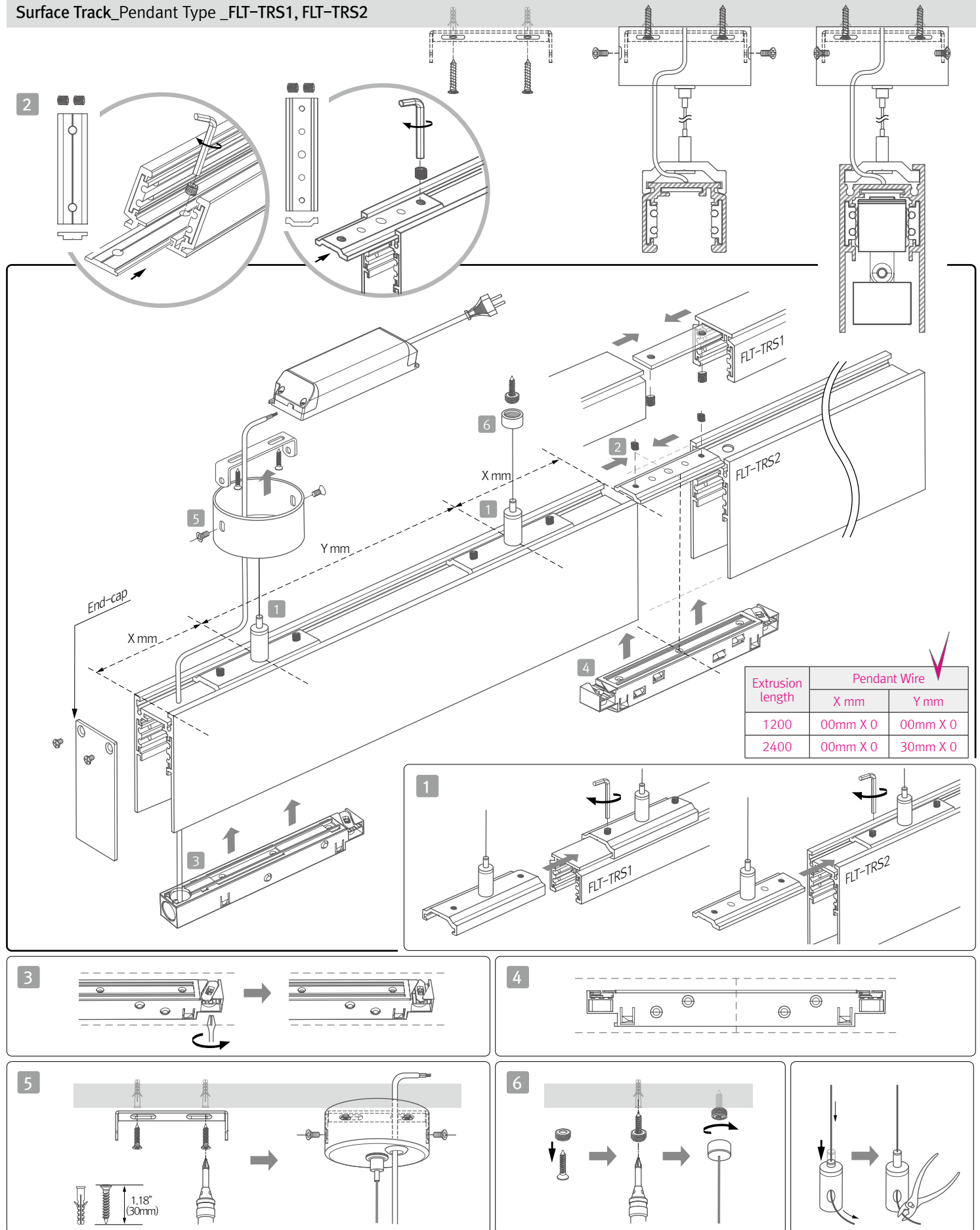


* Refer to the Compatible Luminaire chart on p.11

Surface Track_Direct Type _FLT-TRS1



Surface Track_Pendant Type _FLT-TRS1, FLT-TRS2



Trimless Track_FLT-TRT1, FLT-TRT2

