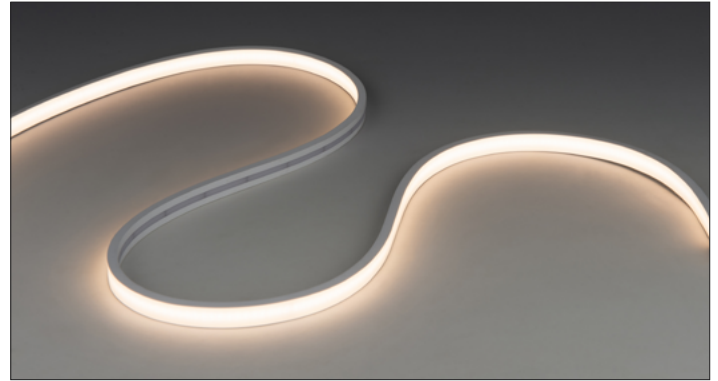
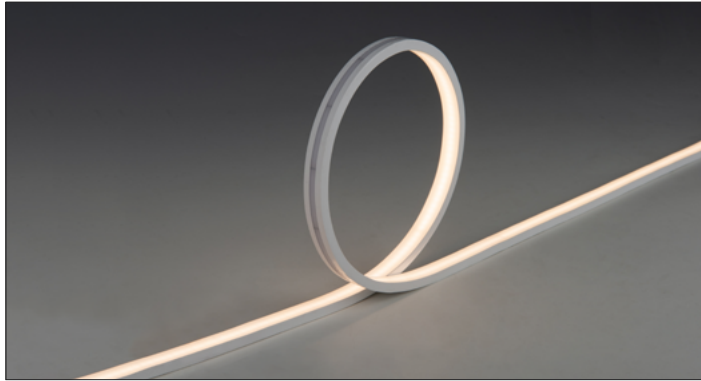


DATE PROJECT LOCATION TYPE



## PRODUCT FEATURES

- Seamless Diode Free Illumination
- Ultra Slim
- High Efficiency / High Output (110lm/W)
- High CRI (CRI 90)
- Bend Direction Vertically
- Interior/Exterior Applications
- Field Cuttable (33.3mm/1.31")
- Available in Standard Lengths of 1,2,3,4,5M
- Dim - multiple protocols
- 4.4W/ft
- Straight Feed Only

## PRODUCT SPECIFICATIONS

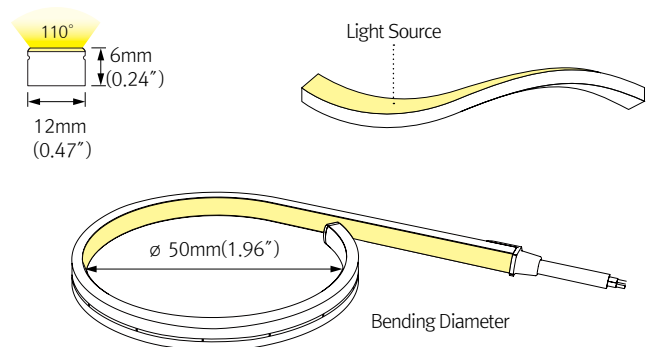
IP Rate	IP65 with Factory Termination
Lamp Power	4.4W/ft
Power Input	24V DC
Color Rendering	Ra>90
Operating Temperature Ranges	0-45°C
Beam Angle	110°
Material	Silicon
Available Color	2700K, 3000K, 3500K, 4000K
Maximum Length	5,000mm(16.5')
Minimum Length-Cut Point	33mm(1.31")
Bend Diameter	50mm(1.96")

## SPECIFICATIONS TABLE



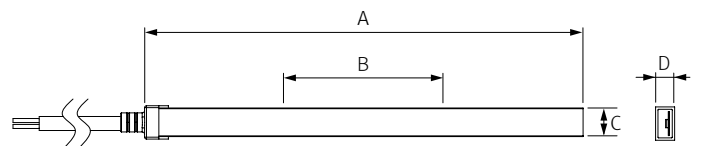
Model Number	Color	Lamp Power	Luminous Flux (lm/ft)	Lumen/W
FTP15 27K-24V-C90	2700K	4.2W/ft	415lm	98.24/W
FTP15 30K-24V-C90	3000K	4.3W/ft	440lm	103.02/W
FTP15 35K-24V-C90	3500K	4.3W/ft	465lm	109.44/W
FTP15 40K-24V-C90	4000K	4.4W/ft	476lm	108.7/W

## PHYSICAL SPECIFICATIONS



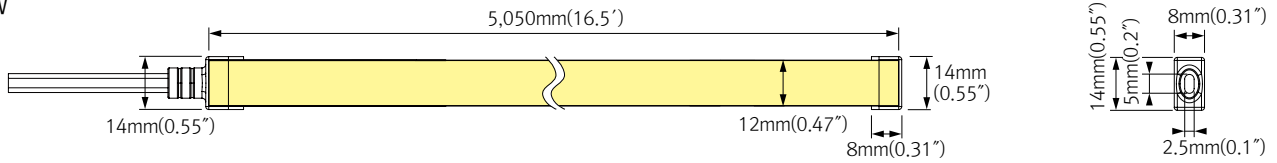
## PHYSICAL SPECIFICATIONS

Model Number	A Length	B Cutting Unit	C Width	D Thickness
FTP15 (color)-24V-C90	1,012mm (39.84")	33.3mm (1.31")	12mm (0.47")	6mm (0.24")

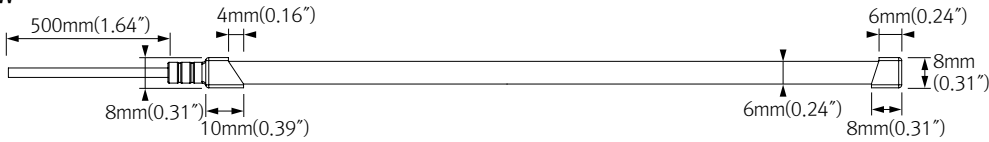


## DIMENSIONS

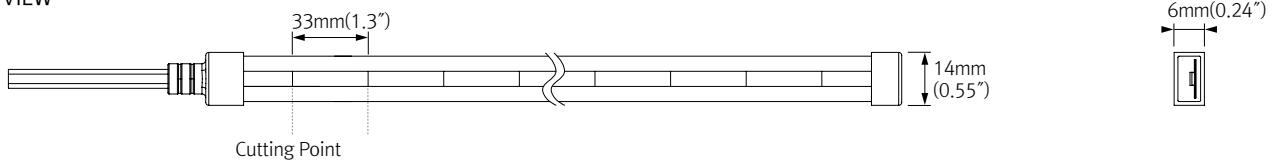
### TOP VIEW



### SIDE VIEW

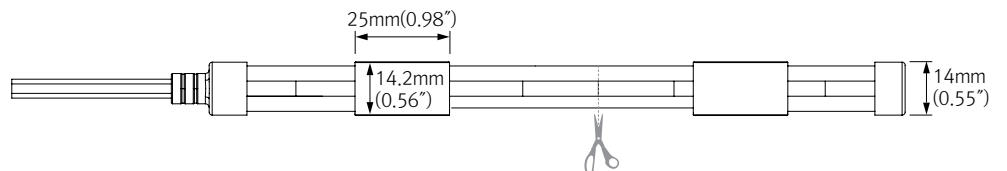
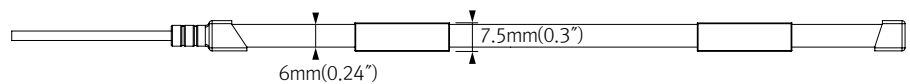
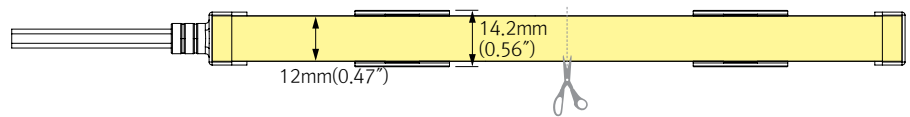
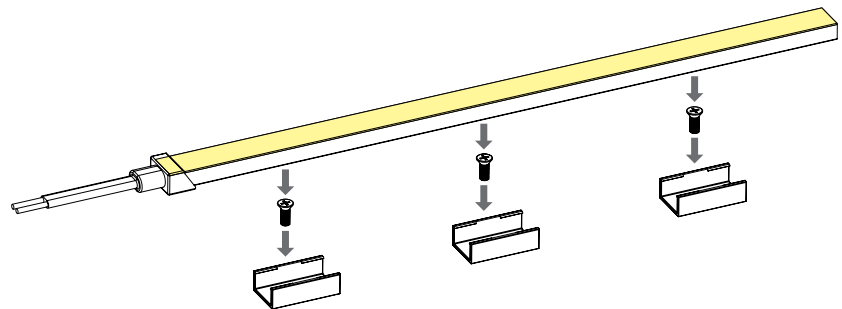
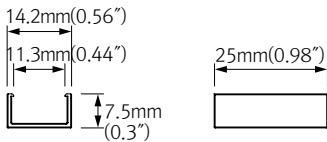
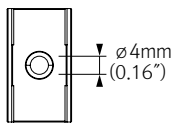


### BOTTOM VIEW



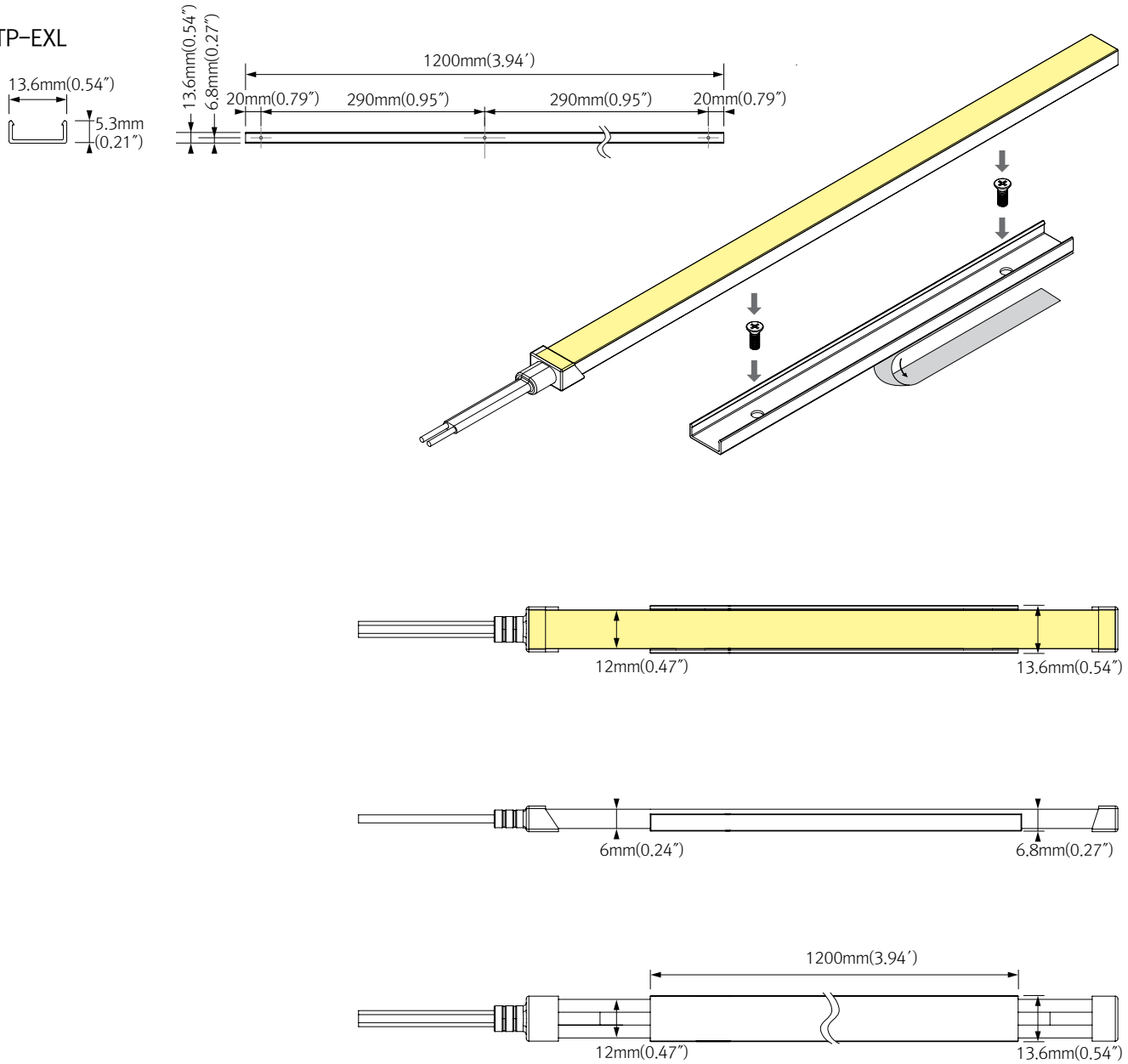
## INSTALLATION - Bracket

### FTP-BRACKET1



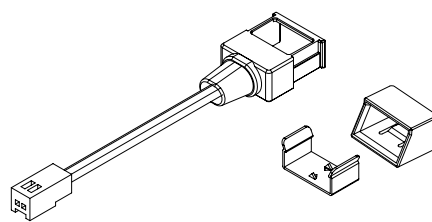
## INSTALLATION – Extrusion

FTP-EXL

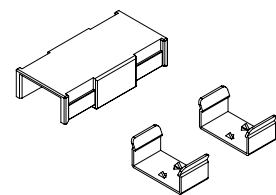


## INSTALLATION – Indoor Termination (IP20)

\* Components

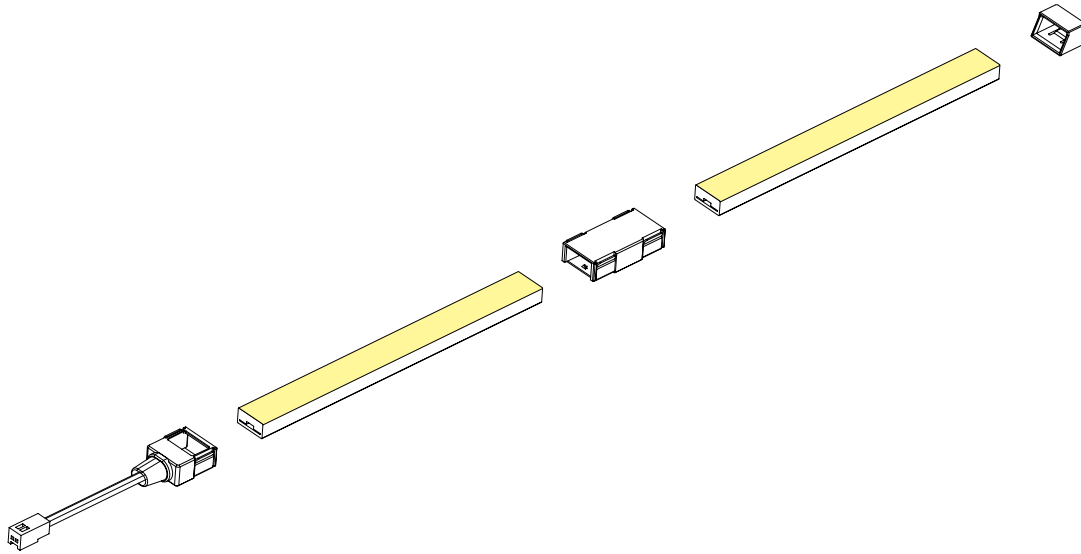


FTP-INPC  
– Indoor Power Cable with END CAP



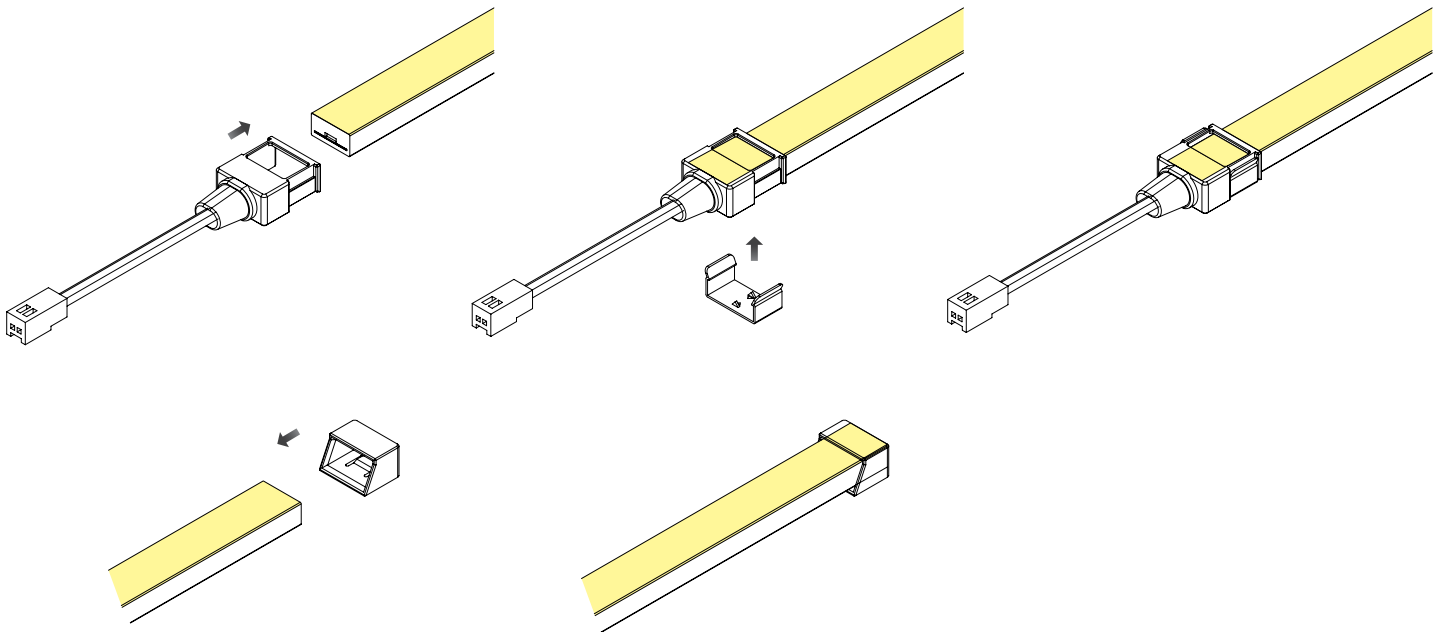
FTP-INCP  
– Indoor Direct Connector

\* Expanded View

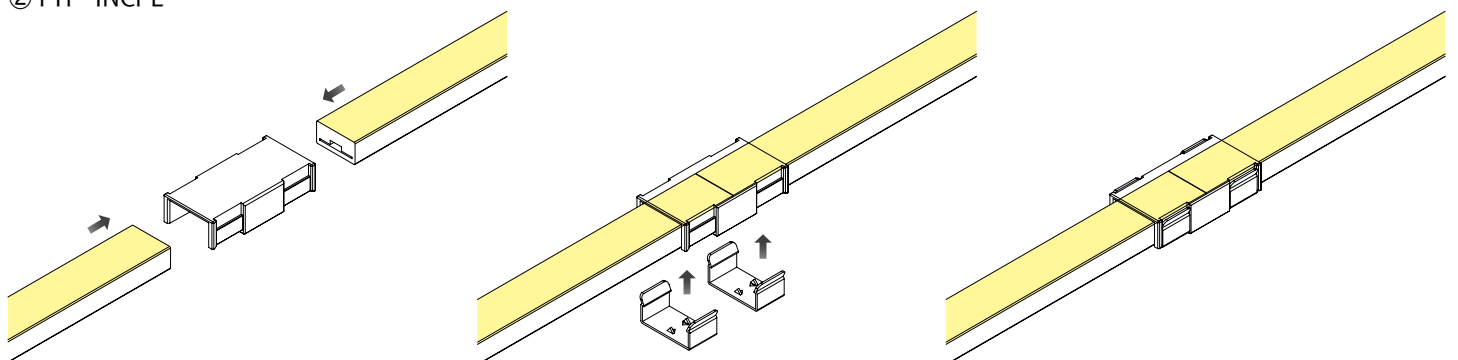


\* Installation Method

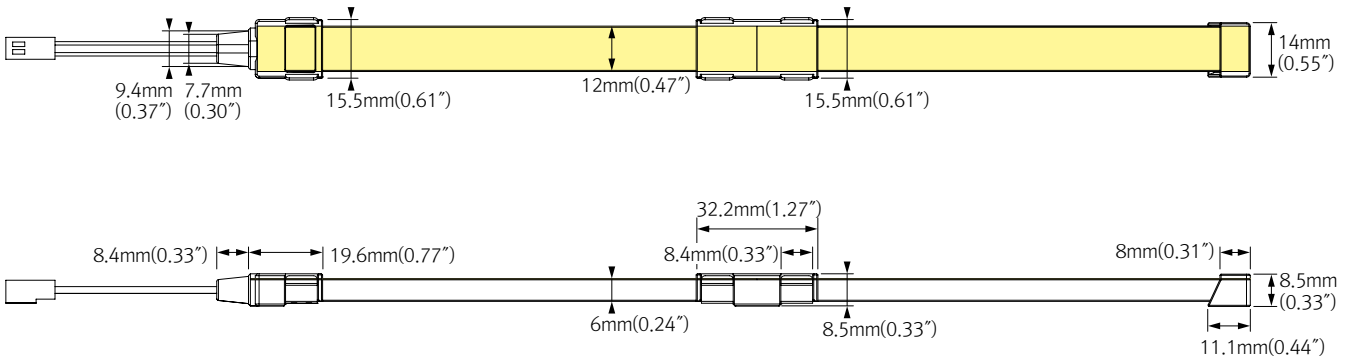
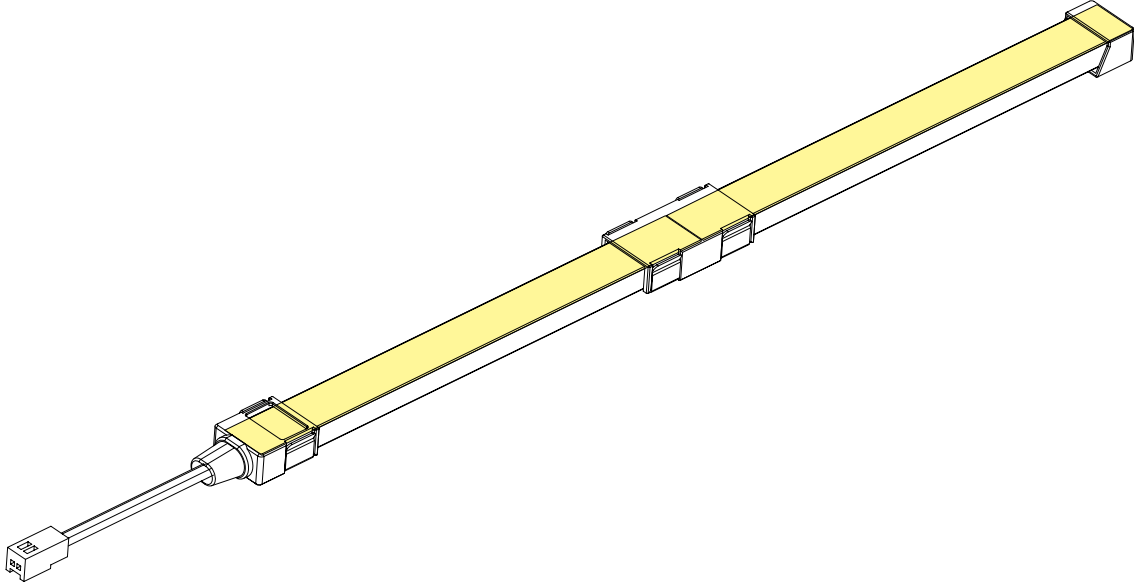
① FTP-INPC



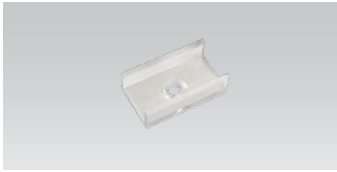
② FTP-INCL



\* Finished view



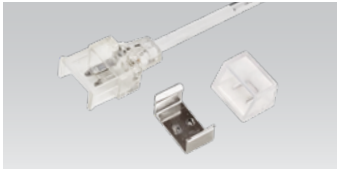
## COMPONENTS



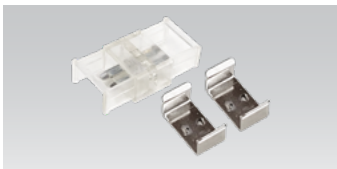
**Mounting Brackets**  
\_FTP-BRACKET1



**FTP Extrusion Line**  
\_FTP-EXL (1200mm)



**Indoor Power Cable**  
\_FTP-INPC (2,500mm)  
with END CAP



**Indoor Direct Connector**  
\_FTP-INCL



**LED Drivers**  
\_ FLC30-24V/XL (30W) \*  
\_ FLC75-24V/XL (75W) \*  
With distributor and power cord  
1800mm (6')



**Driver Junction Box**  
\_ MHWB-FLE



**Hard Wire Driver**  
\_XLD200-224V-FCL-DIM  
\_XLD75-124V-FC (90V to 300V) \*



**Hard Wire Driver**  
\_FLE90-24V-L10-DIM  
\_FLE60-24V-L10-DIM

Additional Power Supply/ Driver Options Available.  
Please consult Factory.

**A larger selection of drivers are available including remote and hard wire drivers. Please consult factory.**