

Please open all cartons immediately to ensure all material is on-site and undamaged.
Any claims must be filed within 15 days of receipt of product.

Please read all assembly and installation instructions of Feelux products

1. Before attempting to install or use fixture, read and understand the following installation instructions and safety labels.
2. If you have any questions, please contact Feelux Lighting Technical Support at:
(678)668-7005 ext. 113 or techsupport@feeluxlighting.com
3. Feelux product must be installed by a licensed electrician in accordance with all National and Local Electrical and Construction Codes and Regulations.
4. Verify electrical plan.
5. Ensure the main power supply is off before installing or wiring fixtures.
6. Do not install a fixture if the unit, lens, housing or power cables are damaged.
7. Fixtures have no serviceable parts.
8. Do not use a fixture for any voltage for which it is not rated.
9. Do not exceed the specified voltage, current or wattage for any fixture.
10. Feelux Lighting complies with Part 15 of the FCC rules.
Class B Digital Apparatus complies with Canadian ICES-003.

Feelux Lighting EcoSlimLamp LED Installation Instructions

1. Feelux EcoSlimLamp LED is a line voltage product and operates from 120V.
2. EcoSlimLamp LED has a maximum connection wattage of 400W.
3. EcoSlimLamp LED is a Non-Dimming fixture
4. Feelux Power Connecting Cables (Jumpers) cannot be modified.

Tips

1. Make certain all surfaces are free of dirt and debris prior to installation.
2. Check that fixtures are properly connected.
3. After installation remove/blow off all construction dust and debris.
4. Fixtures must be protected from paint and paint splatter.
5. Use mounting bracket for proper alignment.

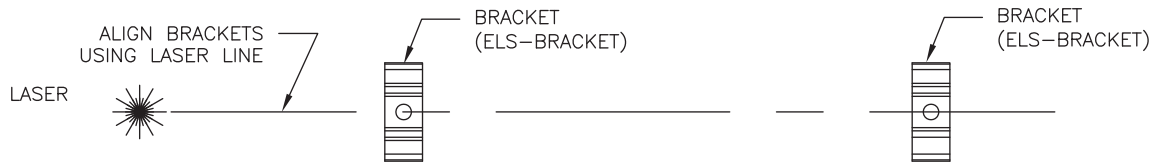
Troubleshooting

1. Check electrical and mechanical connections points.
2. Is the connected fixture over the maximum wattage/maximum run length?
3. Is the wattage exceeded for the hardwire box or Power Cord?

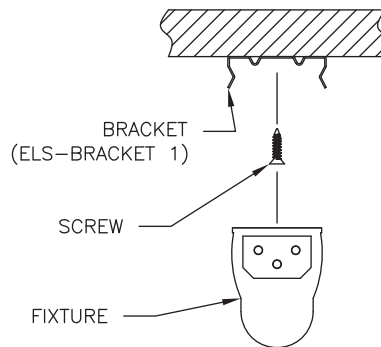
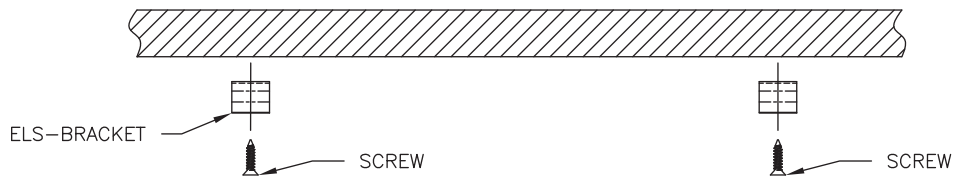
CAUTION: DO NOT EXCEED RATED WATTAGE OF PRODUCT OR DRIVER AT ANY TIME

Installation / Mounting

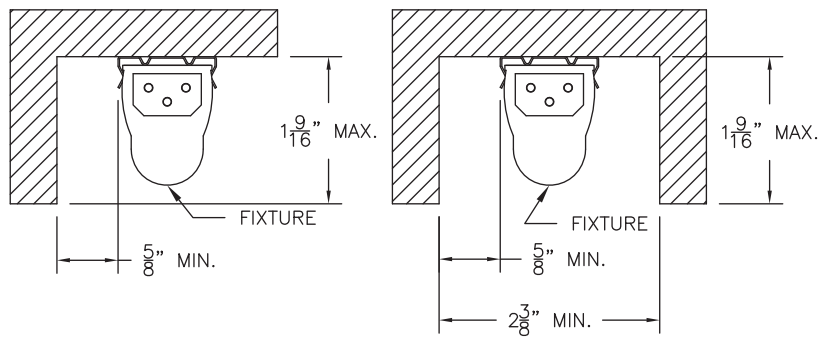
Align all brackets using laser line



MOUNTING TO SURFACE

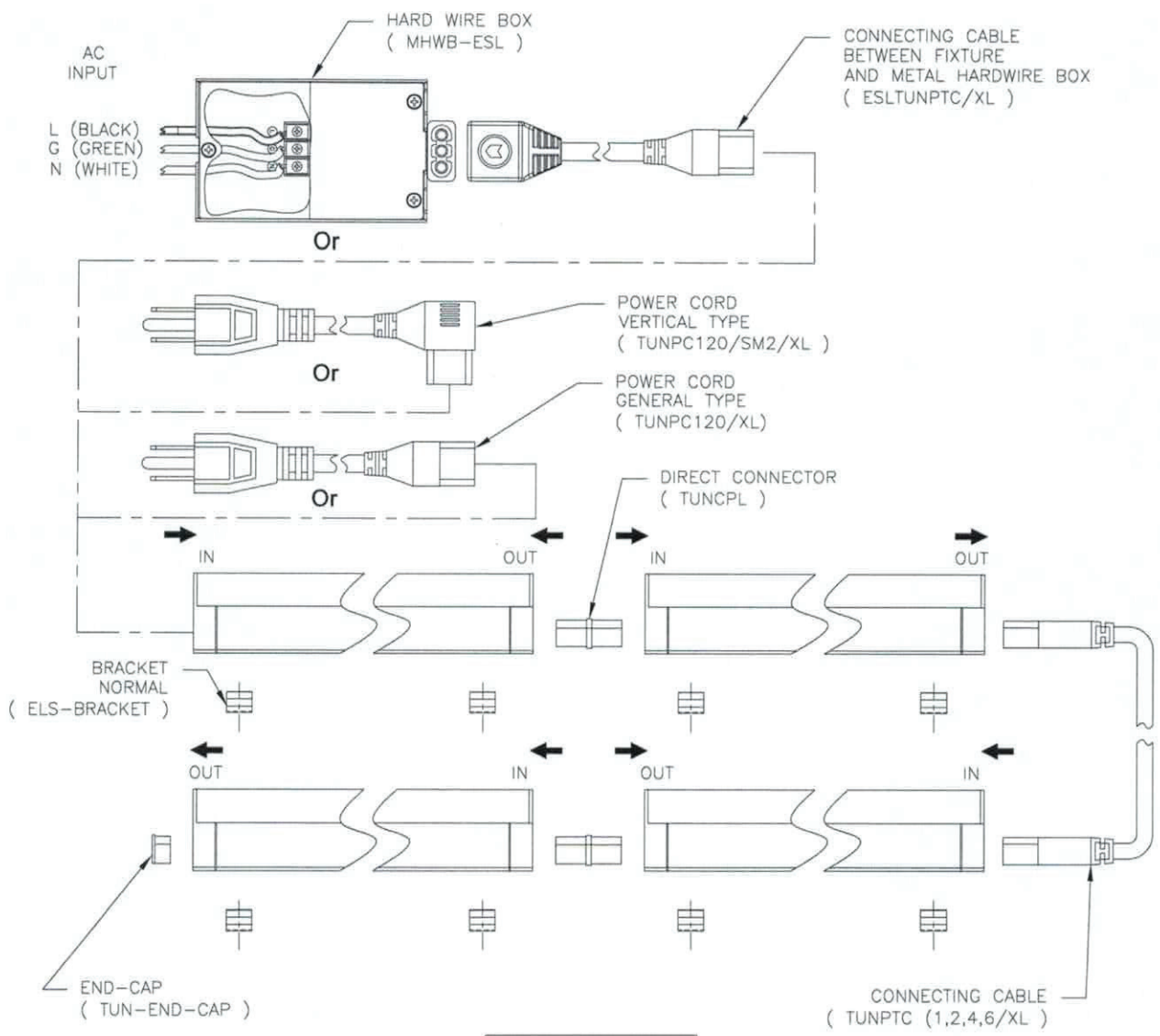


NORMAL MOUNTING
ELS-BRACKET 1



MOUNTING CLEARANCES

Connecting Fixtures



TOTAL LAMP DISTANCE
IN ONE LIGHTNING
ROW MAXIMUM
400 WATTS

| QTY. | WATTS |
|------|-------|
| 40 | 10W |
| 26 | 15W |
| 20 | 20W |