

Please open all cartons immediately to ensure all material is on-site and undamaged.
Any claims must be filed within 15 days of receipt of product.

Please read all assembly and installation instructions of Feelux products

1. Before attempting to install or use fixture, read and understand the following installation instructions and safety labels.
2. If you have any questions, please contact Feelux Lighting Technical Support at:
 - a. 678.668.7005 ext. 113 or techsupport@feeluxlighting.com
3. Feelux product must be installed by a licensed electrician in accordance with all National and Local Electrical and Construction Codes and Regulations.
4. Verify electrical plan.
5. Ensure the main power supply is off before installing or wiring fixtures.
6. Do not install a fixture if the unit, lens, housing or power cables are damaged.
7. Fixtures have no serviceable parts.
8. Do not use a fixture or driver for any voltage for which it is not rated.
9. Do not exceed the specified voltage, current or wattage for any fixture or driver
10. Feelux Lighting FLX Stix complies with Part 15 of the FCC rules. Class B Digital Apparatus complies with Canadian ICES-003.
11. Feelux FLX Stix fixtures are damp rated and closet approved.
12. Confirm that Driver/Transformer is compatible with fixtures and proposed dimming control system.
13. IMPORTANT NOTE – FLX STIX NDV REQUIRES A POWER FEED AT EVERY 55W.

Feelux Lighting FLX Stix NDPro Installation Instructions

1. Feelux FLX Stix NDPro product requires a power feed for every 55W.
 - a. Side Feed units can be used for continuous, uninterrupted installation of lighting.
 - b. Side Feed units have factory installed power cable.
2. Splicing: NDPPC and Side Feed Power Cables are 8'.
 - a. If remote mount driver/power option is used
 1. Contractor to provide low voltage wire from driver/transformer to Power Cable.
 - b. Contractor must test for 24V signal at all splice points.
 - c. Polarity must be followed and is:
Lead: Gray Striped – Negative
Lead: White Wire – Positive
3. Feelux PTC Connecting Cables (Jumpers) cannot be modified.
4. NDV-Bracket3 MUST be used to support all junction points. This bracket is included with the fixture.
5. NDV-Bracket4 MUST be used to support connection, fixture to NDPPC and NDPPTC cables. The bracket is included.
6. Product cannot be installed via magnets when installing in downward position. Please check with factory for information.

CAUTION: DO NOT EXCEED RATED WATTAGE OF PRODUCT OR DRIVER AT ANY TIME

Approved Drivers and Transformer

The Drivers and Transformers listed below are approved for the Feelux FLX Stix Series:

- Feelux FLC, FLE, XLD and XLAV Series Drivers
- Meanwell
- Lutron
- Justin and Q-Tran: Please check with factory for availability
 - *Please note when dimming that DC + Cap is required. Please check with factory.
- Please consult Feelux for additional power supply, driver and transformer options.

Please note that for FLC and XLD75, the FDC-L10 dimming interface is required. Please check with Feelux Lighting for additional Driver/Power Supply options. Using unapproved Driver/Power Supply may void warranty.

Tips

1. Make certain all surfaces are free of dirt and debris prior to installation.
2. Snap fixtures firmly together to ensure proper connection.
3. Bracket 3 must be used at all connection points.
4. Use mounting brackets for proper alignment.
5. After installation remove/blow off all construction dust and debris.
6. Fixtures must be protected from paint and paint splatter.

Troubleshooting

1. Check electrical and mechanical connections points.
2. Verify that connections are using brackets 3 & 4 to secure.
3. Is the fixture run over the maximum wattage/maximum run length?
4. Is the wattage exceeded for the driver?
5. Verify that polarity was followed if power cord spliced.
6. Check for voltage drop.
7. Is the driver being used the correct unit for the dimming control?

CAUTION: DO NOT EXCEED RATED WATTAGE OF PRODUCT OR DRIVER AT ANY TIME

Mounting and Mounting Hardware

FLX Stix Series are shipped with Standard Mounting Brackets and Magnetic Plates

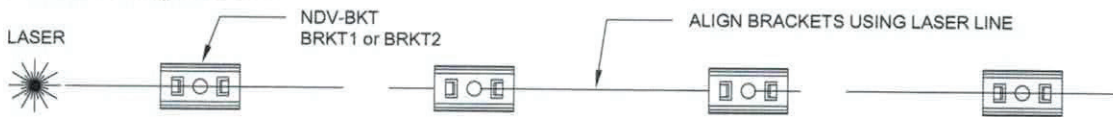
Angled Mounting Brackets are ordered separately.

Brackets are to be installed with 2" from ends of the unit to support the junction point.

For fixtures of 24" longer, install a 3rd mounting bracket near the center.

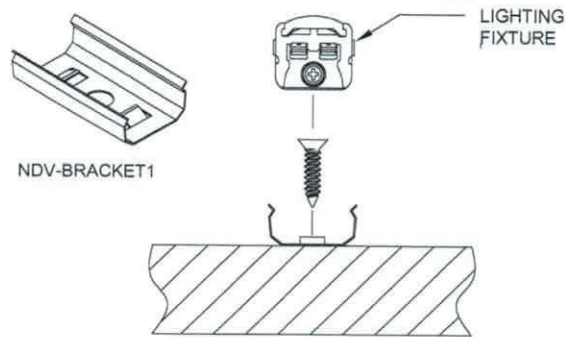
Bracket 3 is included and must be installed at all connection points.

Align all brackets using laser line



Standard Mounting:

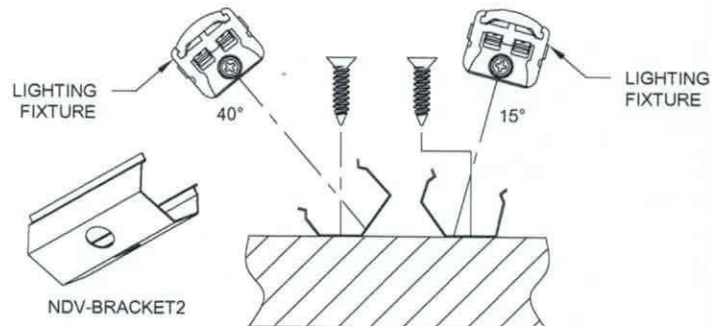
1. Assemble fixtures
2. Align / Install Brackets using laser line
3. Snap fixtures into brackets



Optional: Angled Brackets

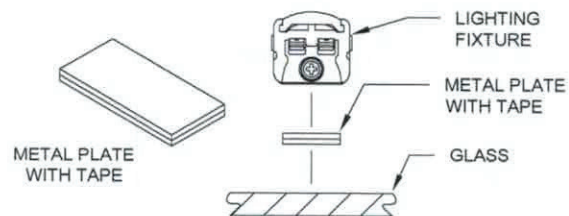
Brackets can be used 40 degree and 15 degree mounting positions.

1. Assemble fixtures
2. Align / Install Brackets using laser line
3. Snap fixtures into Brackets



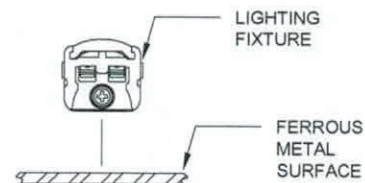
Mounting Option: Magnetic Mounting with Metal Plates to be used ONLY on glass surfaces, ONLY on horizontal positions.

1. Assemble fixtures
2. Place Metal Plates on magnets in the back of the fixtures
3. Peel off double stick tape
4. Holding the fixtures press the exposed tape side to the glass surface



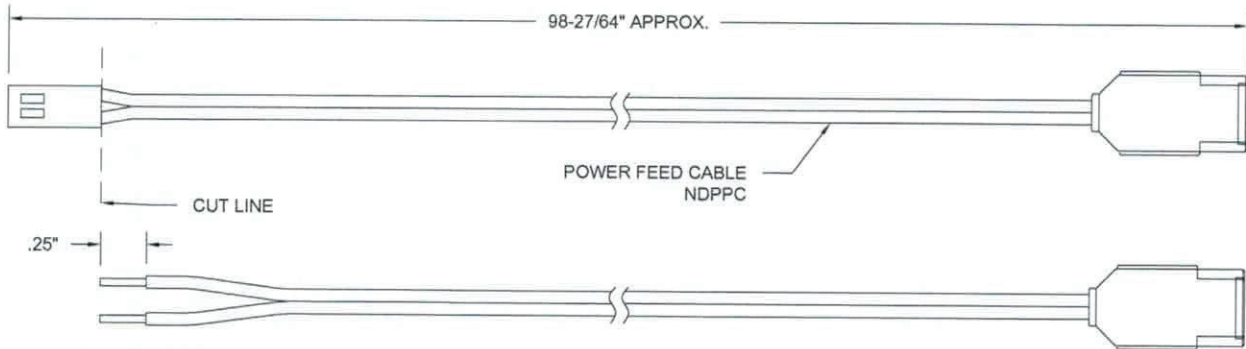
Mounting Option: Magnetic Mounting for use on ferrous metal surfaces.

1. Assemble fixtures
2. Snap fixtures onto ferrous metal surface



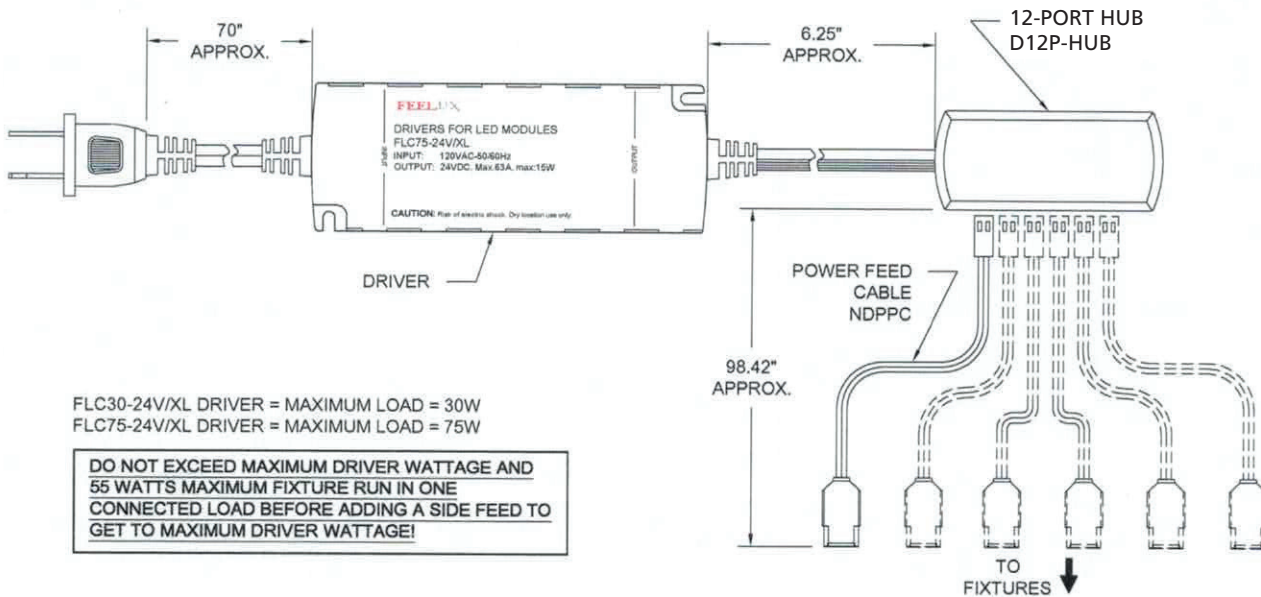
DRIVERS & ACCESSORIES

NDPPC Power Feed Cable Modification



1. CUT POWER FEED CABLE, NDPPC BEHIND CONNECTOR AS SHOWN.
2. STRIP BACK POWER FEED CABLE, NDPPC TO APPROX. .25 INCHES.
3. POLARITY MUST BE FOLLOWED:
 LEAD: GRAY STRIPES - NEGATIVE
 LEAD: WHITE WIRE - POSITIVE

Feelux Driver FLCXX-24V/XL Driver and 12-Port Hub Standard Install

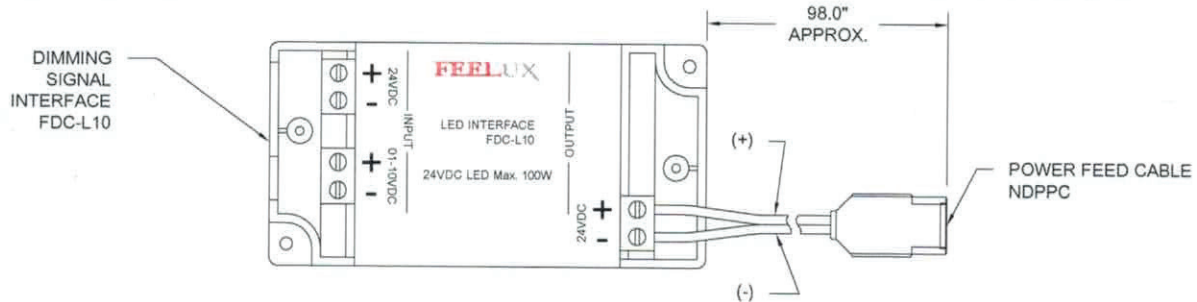


FLC30-24V/XL DRIVER = MAXIMUM LOAD = 30W
 FLC75-24V/XL DRIVER = MAXIMUM LOAD = 75W

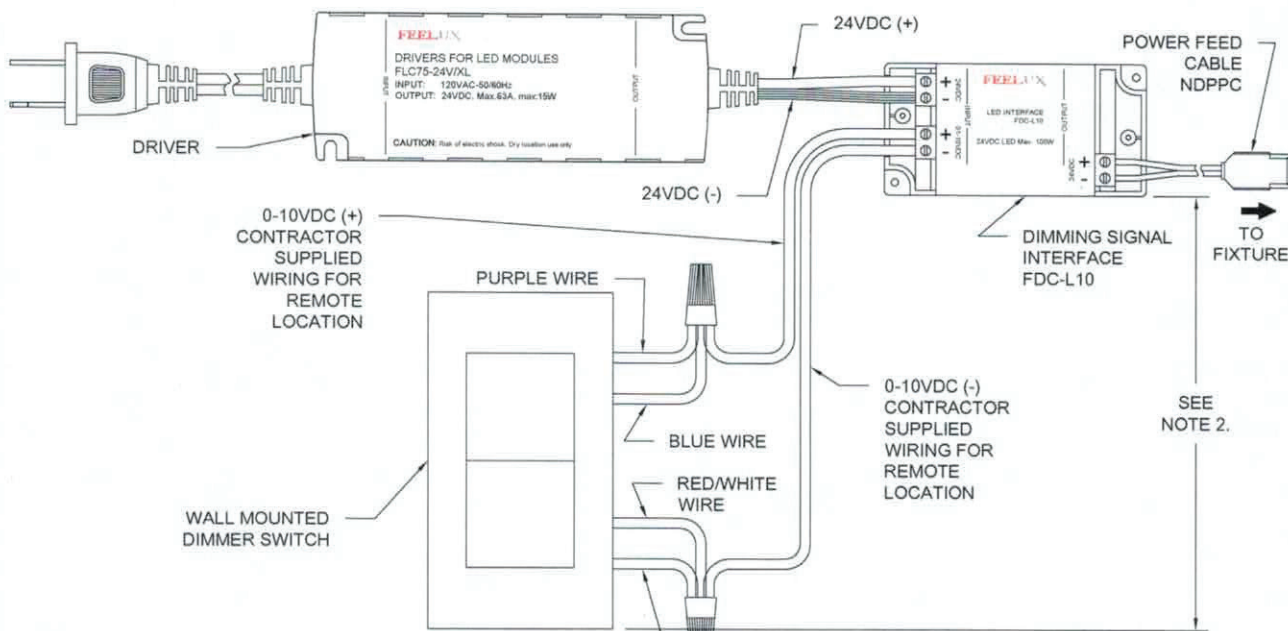
DO NOT EXCEED MAXIMUM DRIVER WATTAGE AND 55 WATTS MAXIMUM FIXTURE RUN IN ONE CONNECTED LOAD BEFORE ADDING A SIDE FEED TO GET TO MAXIMUM DRIVER WATTAGE!

DIMMING : FDC-L10 Dimming Interface is required for FLC30, FLC75 and XLD75. Dimming is 0-10V

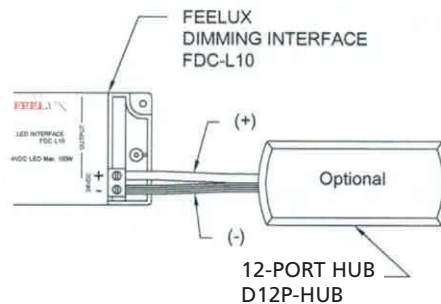
Wiring FEELUX Dimming Signal Interface, FDC-L10 to Power Feed Cable, NDPPC



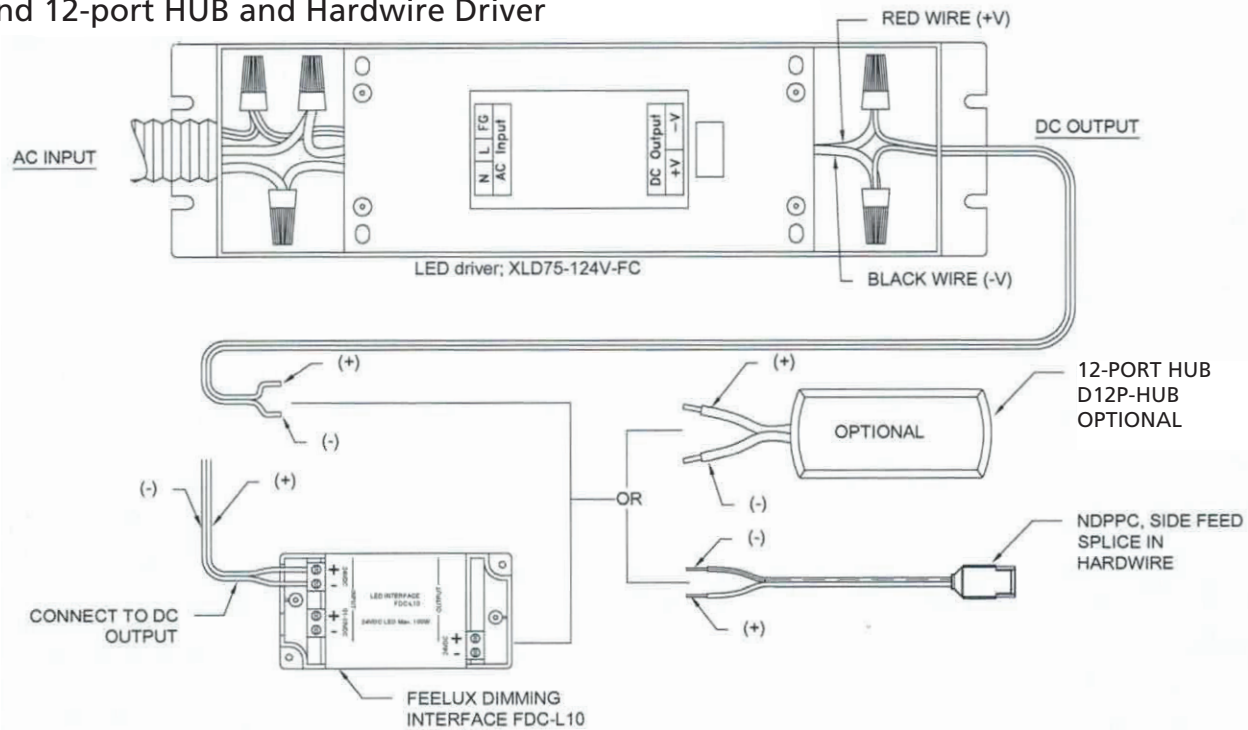
Wiring FEELUX Driver, Dimming Signal Interface FDC-L10 and Power Feed Cable, NDPPC to Wall Mounted Dimmer Switch



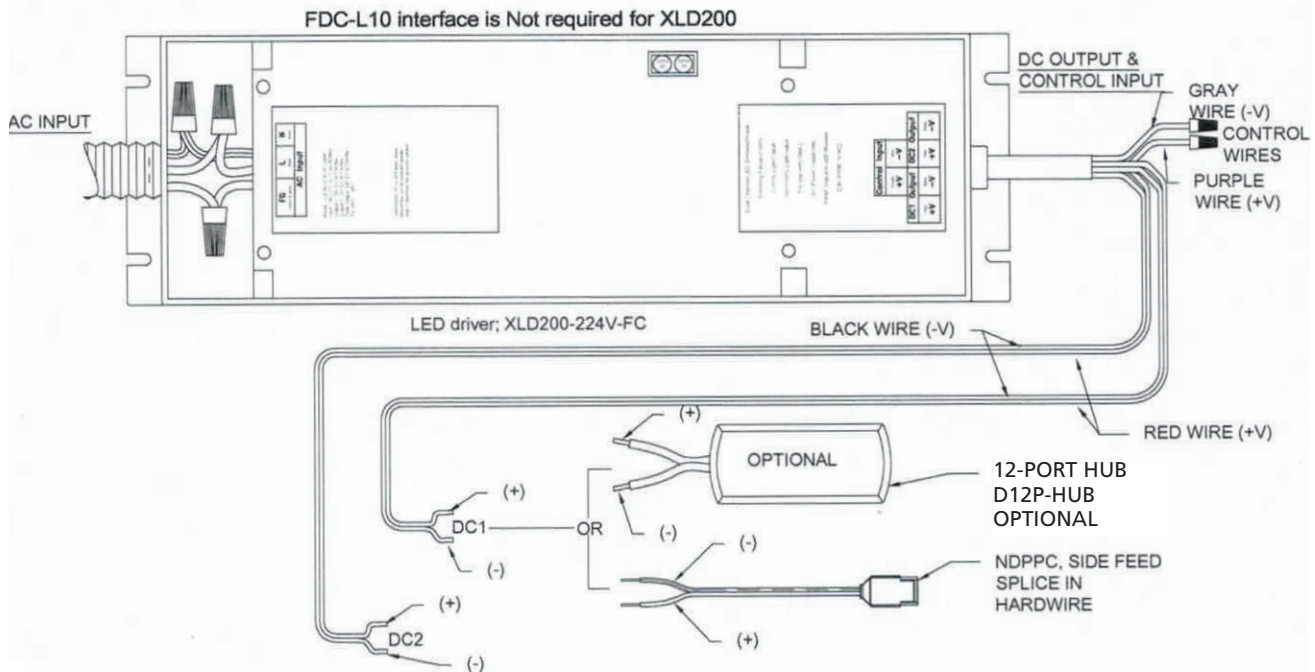
1. ATTACH FEELUX DRIVER, FLCXX-24V/XL WITH MODIFIED CABLE AND FEELUX DIMMING SIGNAL INTERFACE, FDC-L10 TO WALL MOUNTED DIMMER SWITCH AS SHOWN.
2. FOR WIRING DISTANCE, REFER TO NEC GUIDE-LINES FOR WIRE GAUGE AND MAXIMUM WIRING DISTANCE.



Feelux XLD75 Driver, Dimming Signal Interface FDC-L10 and 12-port HUB and Hardwire Driver



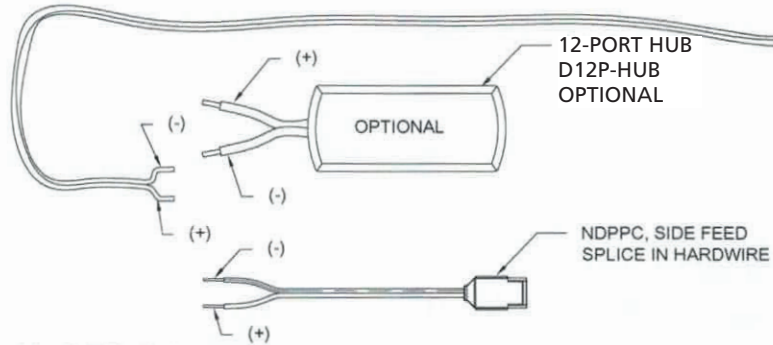
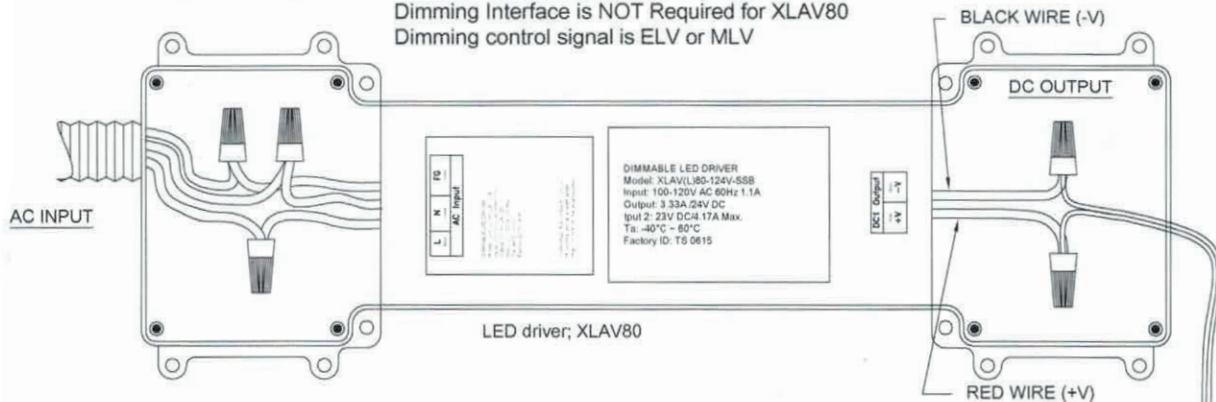
Feelux XLD200 Driver, 12-port HUB and Hardwire to PTC Connection



1. CONNECT CONTROL WIRE TO DIMMER SWITCH IF DIMMING IS REQUIRED
2. FEELUX DIMMING INTERFACE FDC-L10 IS NOT REQUIRED WITH XLD200W DRIVER.
3. XLD200 DRIVER HAS 2 96W OUTPUTS, DC1 & DC2
4. THE D12P-HUB OR NDPPC & SIDE FEED CAN BE CONNECTED TO BOTH OUTPUTS.
5. FOR WIRING DISTANCE, REFER TO NEC GUIDE-LINES FOR WIRE GAUGE AND MAXIMUM WIRING DISTANCE.

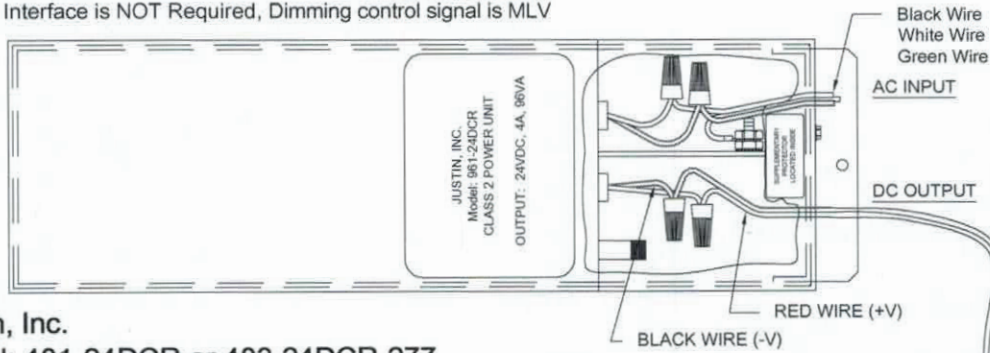
FEELUX XLAV80 Constant Voltage Dimmable LED Driver.

Dimming Interface is NOT Required for XLAV80
Dimming control signal is ELV or MLV

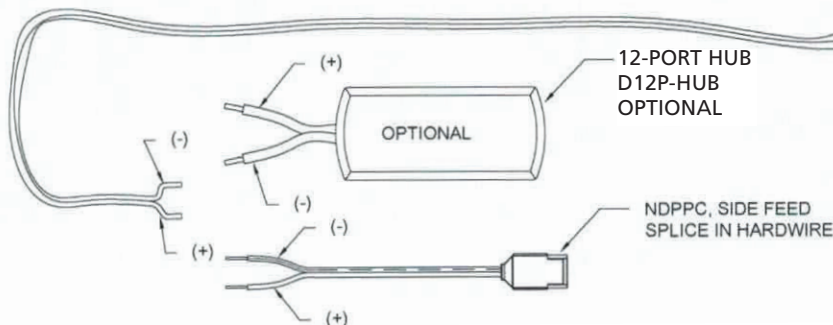


FEELUX JUSTIN Dimmable LED Driver.

Dimming Interface is NOT Required, Dimming control signal is MLV



Justin, Inc.
Model: 481-24DCR or 483-24DCR-277
Model: 961-24DCR or 963-24DCR-277
Model: C2240-24DCR or C2240-24DCR-277



Feelux Voltage Drop Chart

Feelux FLX Stix 24V Products: Maximum Distance per Wire AWG

Driver	18 AWG	16 AWG	14 AWG	12 AWG
--------	--------	--------	--------	--------

Feelux Cord and Plug Drivers

FLC30-24V/XL	12'	15'	20'	20'
FLC75-24V/XL	12'	15'	20'	20'

Approved Remote Mounted Drivers and Transformers

XLD75-124V-FC	25'	50'	75'	100'
XLD200-224V-FCL-DIM	25'	50'	75'	100'
XLAV80(L)-124V-SSB	25'	50'	75'	100'
Justin	25'	50'	75'	100'
Other Approved Units	25'	50'	75'	100'

* NOTE: Before attempting to install or use fixtures, read and understand the installation instructions and safety labels. If you have any questions, please contact Feelux Lighting Technical Support at 678.668.7005 ext. 113. Feelux products must be installed by a qualified electrician in accordance with all national and local electrical and construction codes and regulations.