

FLT Track System _TRT1, TRT2

INSTRUCTIONS OF INSTALLATION AND USE

⚠ IMPORTANT SAFETY INSTRUCTIONS

- ▶ Be sure to read these installation instructions and review thoroughly before installing the track system.
- ▶ All electrical connections must be in accordance with local codes and the National Electrical Code. If you are unfamiliar with methods of installing electrical wiring, secure the services of a qualified licensed electrician.
- ▶ Do not connect this track to 100V-277V. This track is for low voltage 24V only.
- ▶ Product misuse, arbitrary disassembly, and alteration are excluded from the warranty
- ▶ Do not install within 15cm (6") of any curtain or combustible materials
- ▶ Do not install less than 1.5m (5') above a floor
- ▶ Do not install in damp or wet locations
- ▶ To reduce the risk of fire and electrical shock, do not attempt to energize anything other than FLT Track fixtures on the track. This includes power tools, extension cords, appliances, etc.



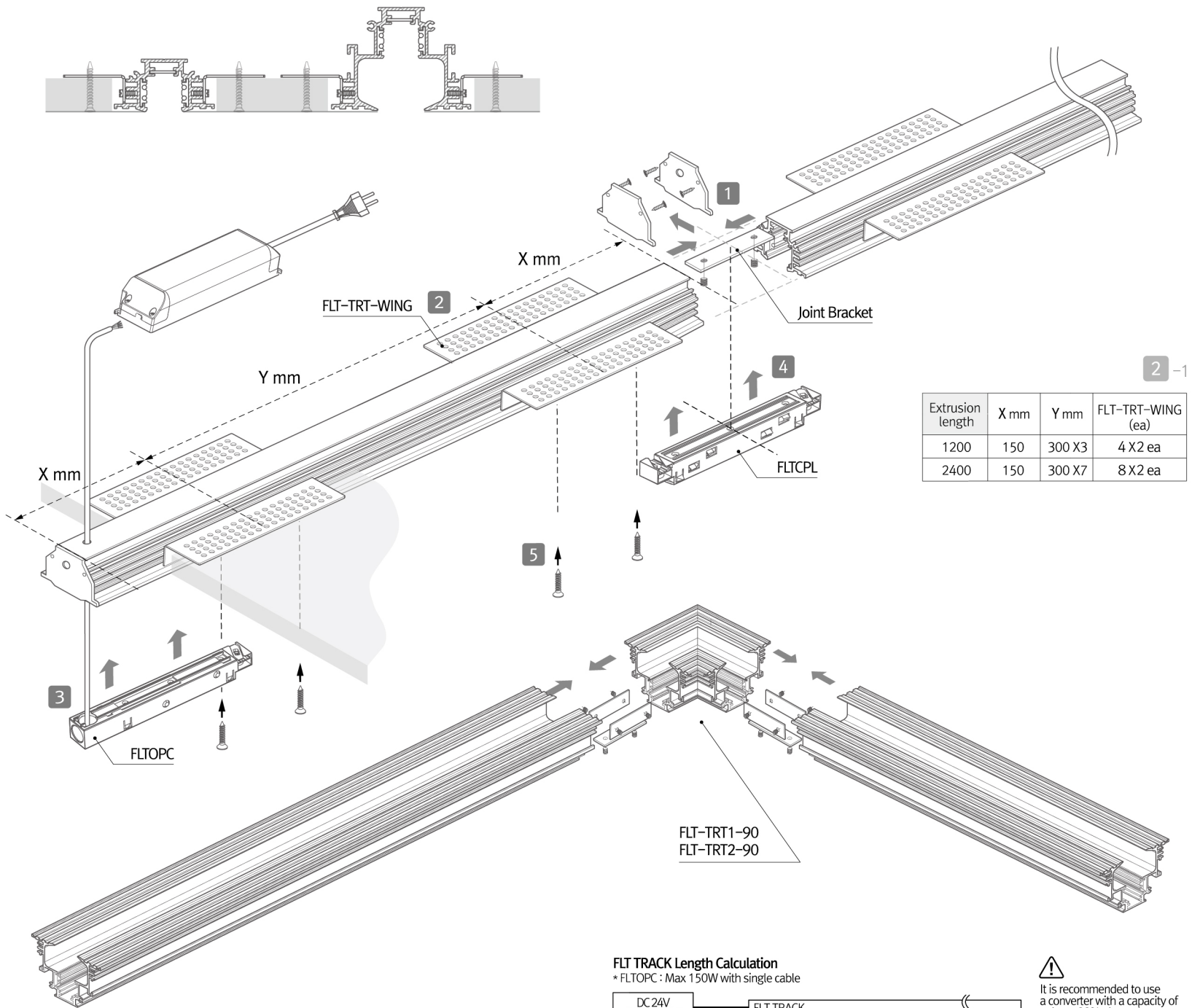
FLT Track system
_FLT Spec sheet



www.feelux.com
Head Office 235-48, Gwangjeok-ro, Gwangjeok-myeon, Yangju-si, Gyeonggi-do, Korea

Track	FLT-TRT1	FLT-TRT2
Size		
Length	1200mm, 2400mm	
<p>⚠ In the installation process, if the track needs to be shortened, please use special pliers to cut the 4 copper wires in the track, and then discard the cutting copper wires.</p>		

Trimless Track



Extrusion length	X mm	Y mm	FLT-TRT-WING (ea)
1200	150	300 X3	4 X2 ea
2400	150	300 X7	8 X2 ea

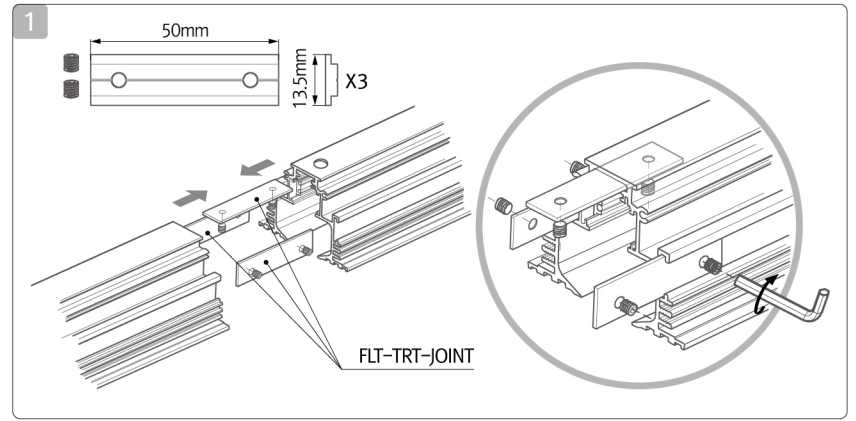
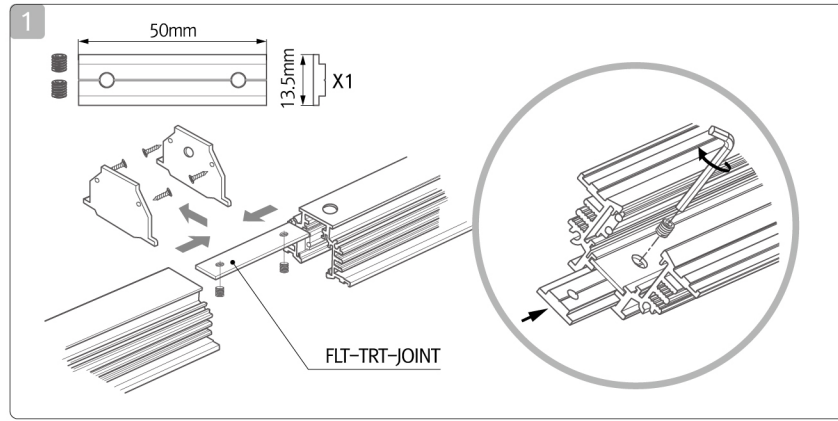
⚠

FLT TRACK Length Calculation

* FLT-OPC : Max 150W with single cable

Track Length	8.4m	9.6m	10.8m	12m	13.2m	14.4m	15.6m	16.8m	18m	19.2m	Max installation capacity	Converter capacity
DC 24V CONVERTOR												
Product Capacity	8.4m	9.6m	10.8m	12m	13.2m	14.4m	15.6m	16.8m	18m	19.2m	Max installation capacity	Converter capacity
75 W	○	○	○	○	○	○	○	○	○	○	75 W	90 W
100 W	○	○	○	○	○	○	○	○	○	○	100 W	120 W
150 W	○	○	○	○	○	○	○	○	○	○	150 W	180 W

⚠ It is recommended to use a converter with a capacity of at least 20% above the maximum installation capacity.



2

Extrusion length	X mm	Y mm	FLT-TRT-WING (ea)
1200	150	300 X3	4 X2 ea
2400	150	300 X7	8 X2 ea

FLT-TRT-WING

* TRT1, TRT2 동일 적용

A hole
MIN 15mm
B hole
MAX 20mm

