

FLT Track System _TRS1, TRS2

INSTRUCTIONS OF INSTALLATION AND USE

⚠ IMPORTANT SAFETY INSTRUCTIONS

- ▶ Be sure to read these installation instructions and review thoroughly before installing the track system.
- ▶ All electrical connections must be in accordance with local codes and the National Electrical Code. If you are unfamiliar with methods of installing electrical wiring, secure the services of a qualified licensed electrician.
- ▶ Do not connect this track to 100V-277V. This track is for low voltage 24V only.
- ▶ Product misuse, arbitrary disassembly, and alteration are excluded from the warranty
- ▶ Do not install within 15cm (6") of any curtain or combustible materials
- ▶ Do not install less than 1.5m (5') above a floor
- ▶ Do not install in damp or wet locations
- ▶ To reduce the risk of fire and electrical shock, do not attempt to energize anything other than FLT Track fixtures on the track. This includes power tools, extension cords, appliances, etc.

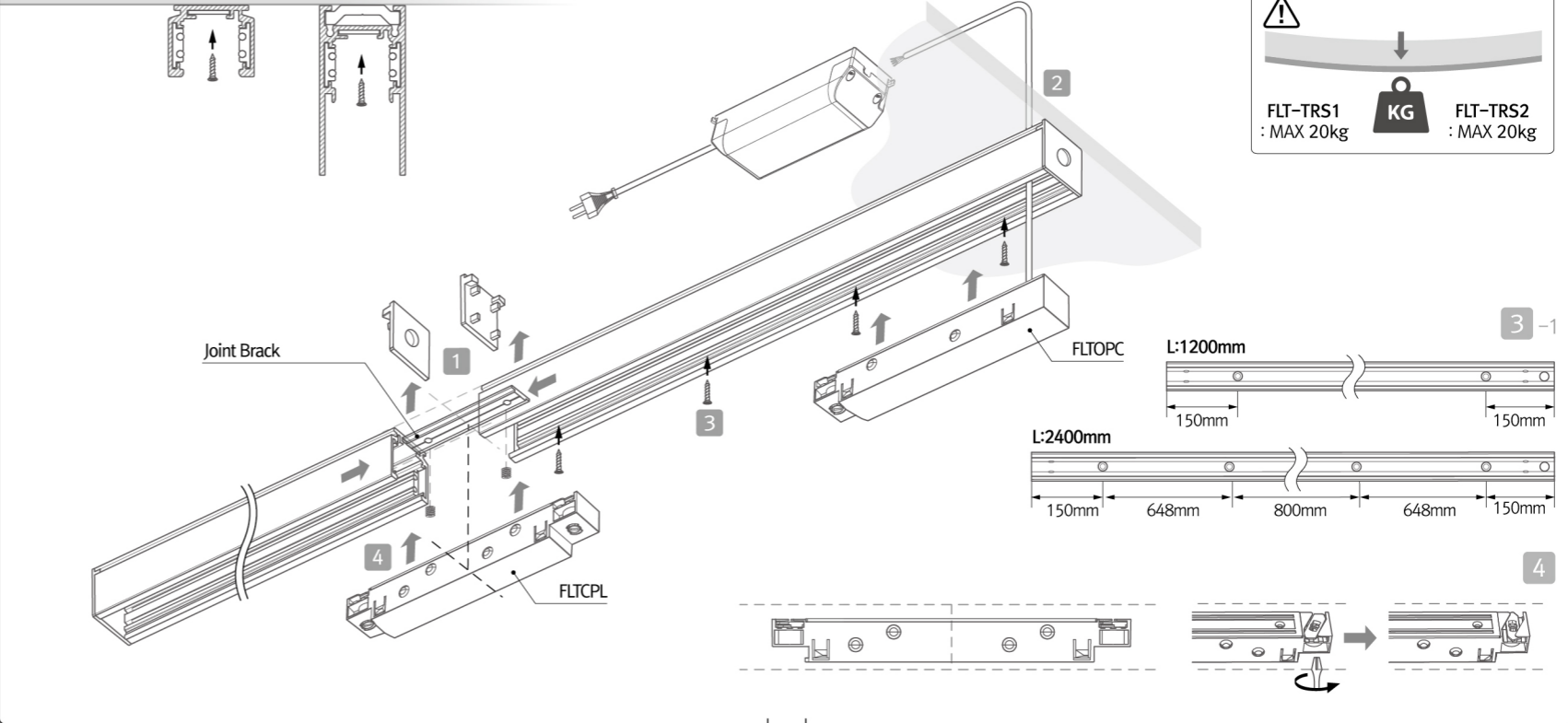


FLT Track system
_FLT Spec sheet

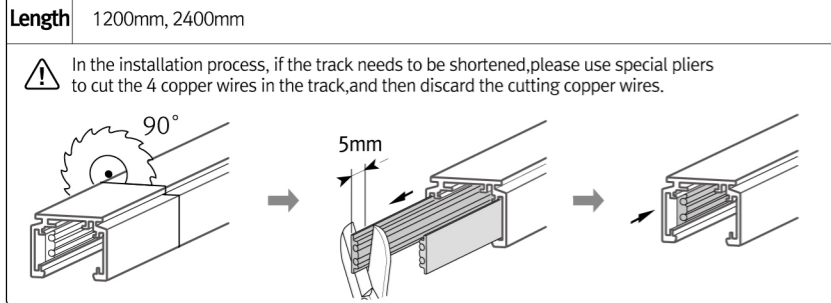


www.feelux.com
Head Office 235-48, Gwangjeok-ro, Gwangjeok-myeon, Yangju-si, Gyeonggi-do, Korea

Surface type



Track	FLT-TRS1	FLT-TRS2
Size		
Length	1200mm, 2400mm	

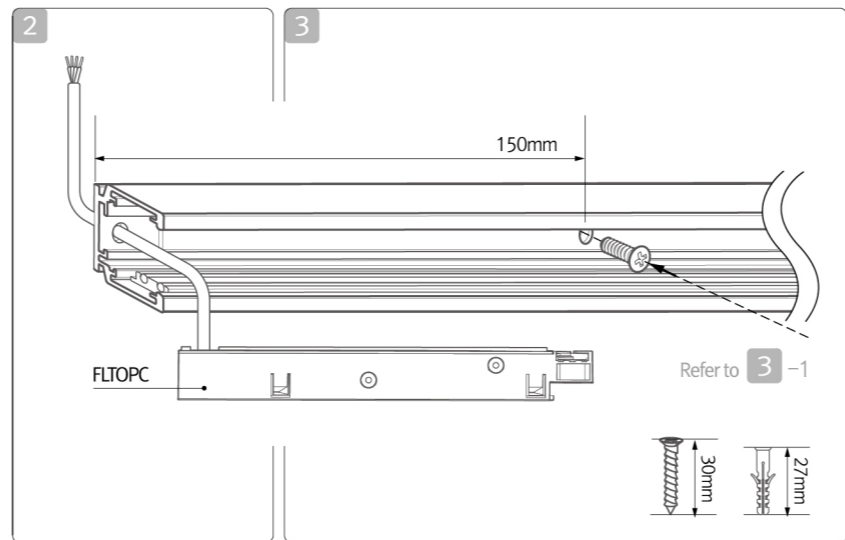
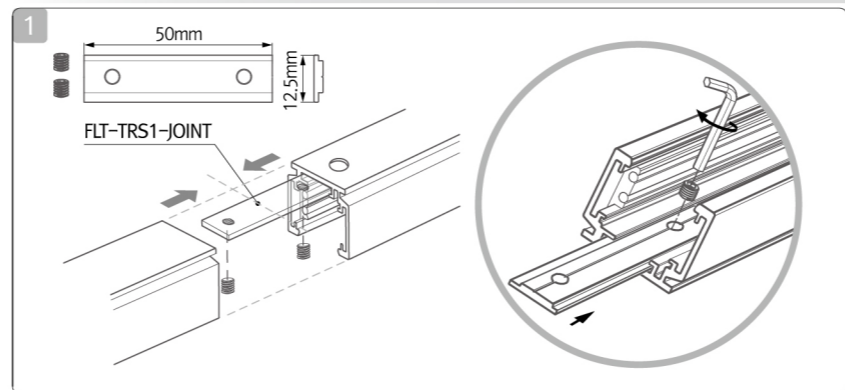


FLT TRACK Length Calculation
* FLTOPC : Max 150W with single cable

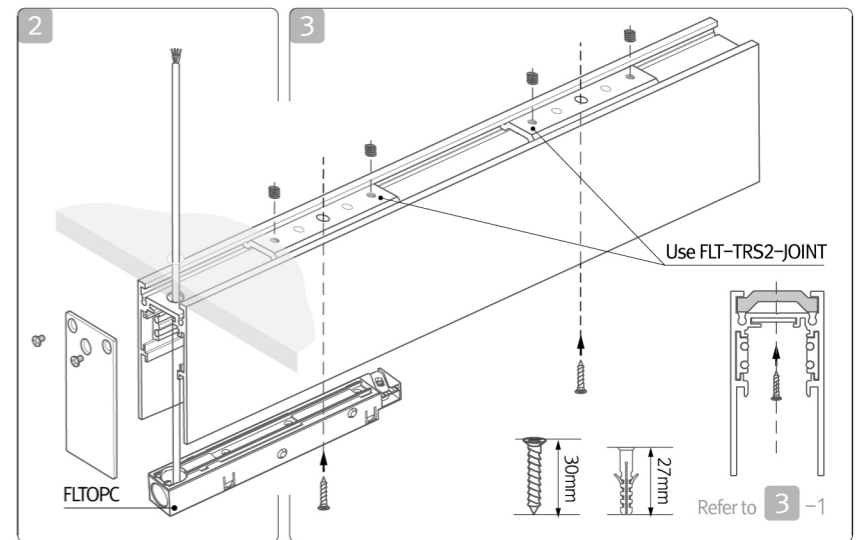
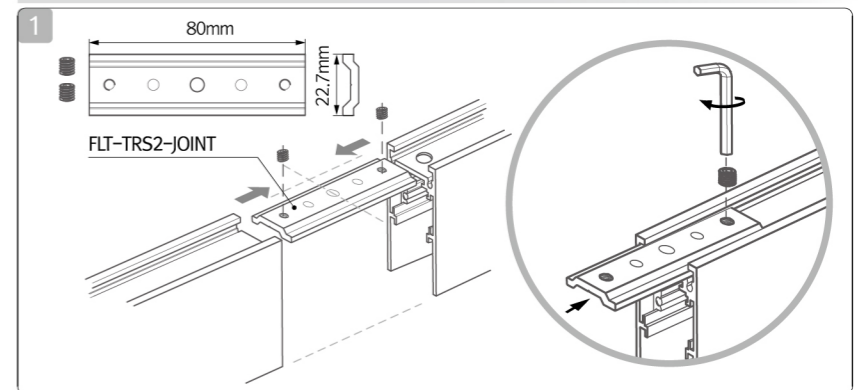
⚠ It is recommended to use a converter with a capacity of at least 20% above the maximum installation capacity.

Track Length	8.4m	9.6m	10.8m	12m	13.2m	14.4m	15.6m	16.8m	18m	19.2m	Max installation capacity	Converter capacity
75 W	○	○	○	○	○	○	○	○	○	○	75 W	90 W
100 W	○	○	○	○	○	○	○	○	○	○	100 W	120 W
150 W	○	○	○	○	○	○	○	○	○	○	150 W	180 W

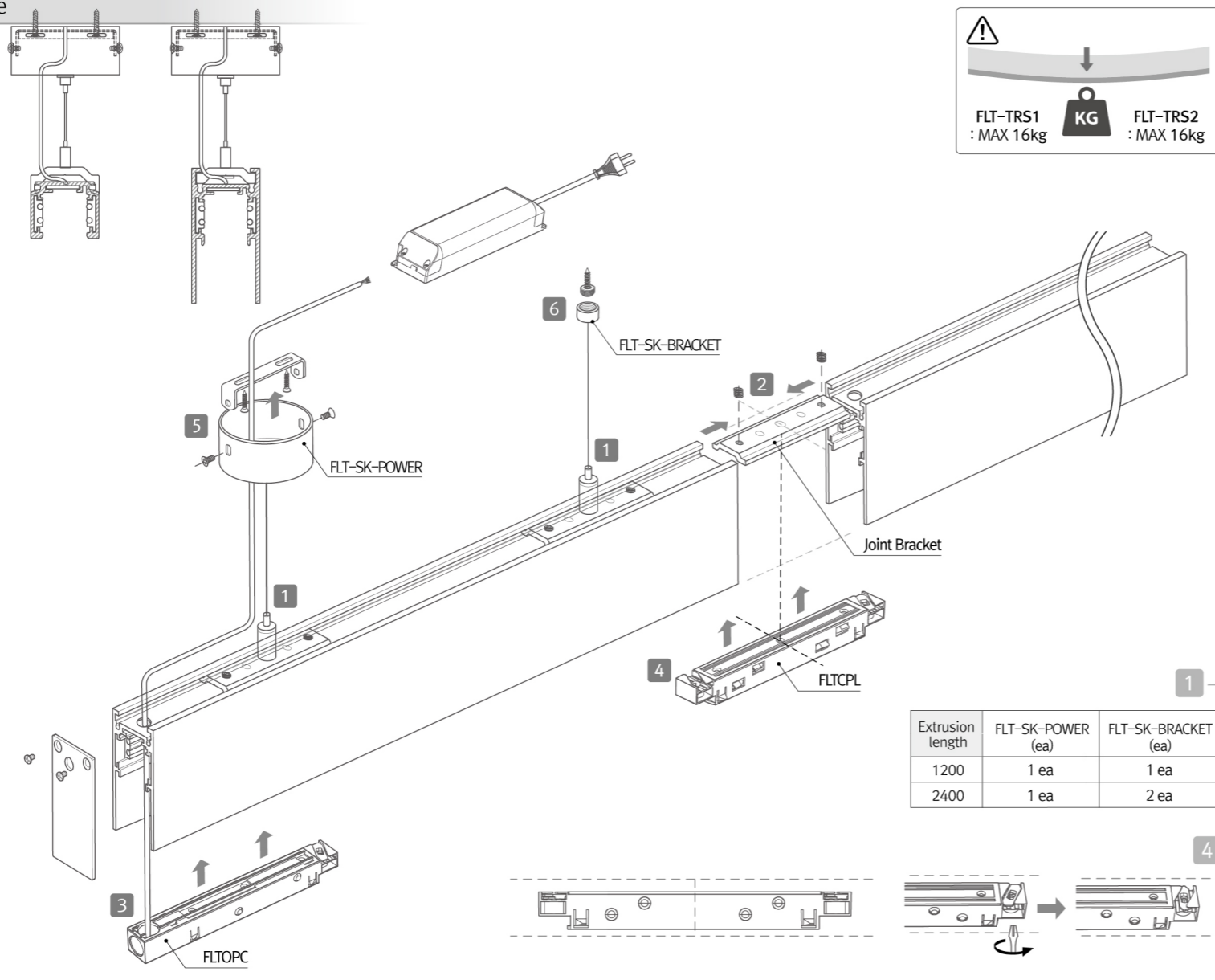
FLT-TRS1



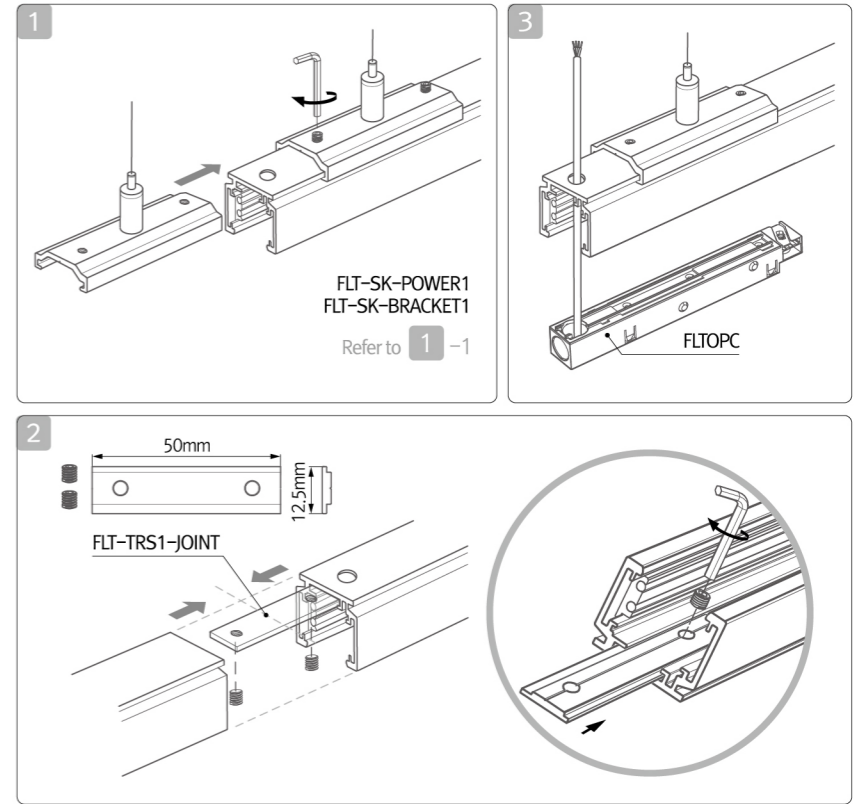
FLT-TRS2



Pendant type



FLT-TRS1



FLT-TRS2

