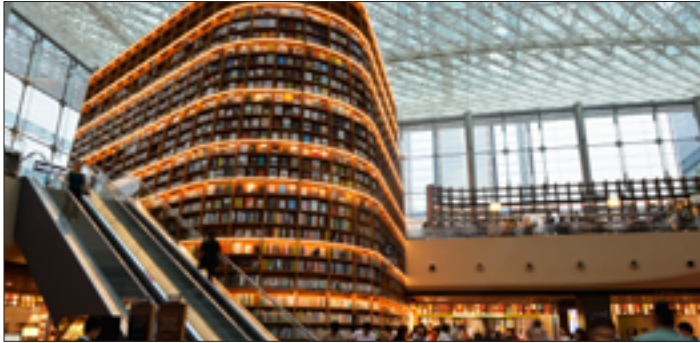


DATE **PROJECT** **TYPE**



PRODUCT FEATURES

- Seamless Spot Free Illumination
- Ultra Slim
- Close Pitch LEDs
- FLX Neon 1 -Side Bend
- FLX Neon 2 -Top Bend
- Dimmable with 0-10V, Forward/Reverse Phase
- Indoor and Outdoor Application
- 8 Colors Available
- Quick Ship Available
- Field Cut-able (1.52")
- Available in Standard Lengths of 1,2,3,4,5M Reels



PRODUCT SPECIFICATIONS

IP Rate	IP67 with Factory Termination (Customized Length Available)
	IP65 with Field Termination
	IP20 with Indoor Termination
Lamp Power	3W/ft
Power Input	24V DC
Color Rendering	Ra>90
Operating Temperature Ranges	-4°F to 122°F (-20°C to 50°C)
Maximum Length	16.42ft (5,005mm)
Minimum Length	1.51in (38.5mm)
Minimum Bending Diameter	3.93in (100mm)
Beam Angle	130°
Material	Silicone

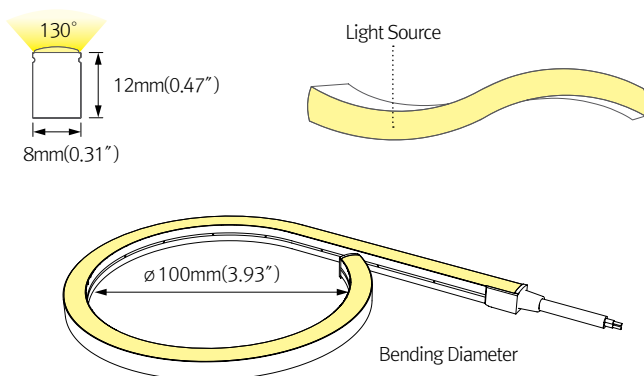
SPECIFICATIONS TABLE_FLXible Neon1

Model Number	Color	Lamp Power	Luminous Flux (lm/ft)	Lumen/W
FN1 22K-24V-C90	2200K	3W/ft	106	35lm/W
FN1 24K-24V-C90	2400K		122	41lm/W
FN1 27K-24V-C90	2700K		125	42lm/W
FN1 30K-24V-C90	3000K		129	43lm/W
FN1 35K-24V-C90	3500K		131	44lm/W
FN1 40K-24V-C90	4000K		124	41lm/W

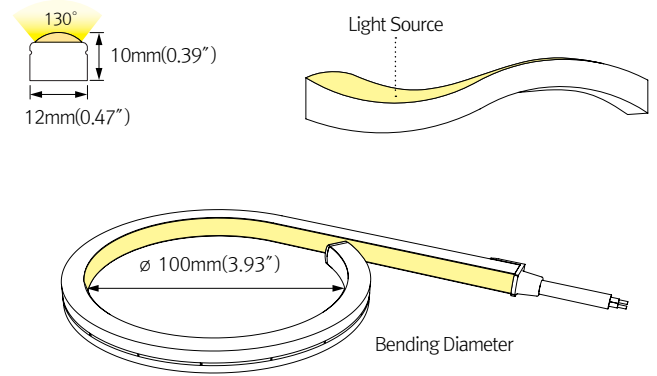
SPECIFICATIONS TABLE_FLXible Neon2

Model Number	Color	Lamp Power	Luminous Flux (lm/ft)	Lumen/W
FN2 22K-24V-C90	2200K	3W/ft	189	63lm/W
FN2 24K-24V-C90	2400K		199	66lm/W
FN2 27K-24V-C90	2700K		223	74lm/W
FN2 30K-24V-C90	3000K		202	67lm/W
FN2 35K-24V-C90	3500K		254	85lm/W
FN2 40K-24V-C90	4000K		231	77lm/W

PHYSICAL SPECIFICATIONS_FLXible Neon1



PHYSICAL SPECIFICATIONS_FLXible Neon2



SPECIFICATION GUIDE

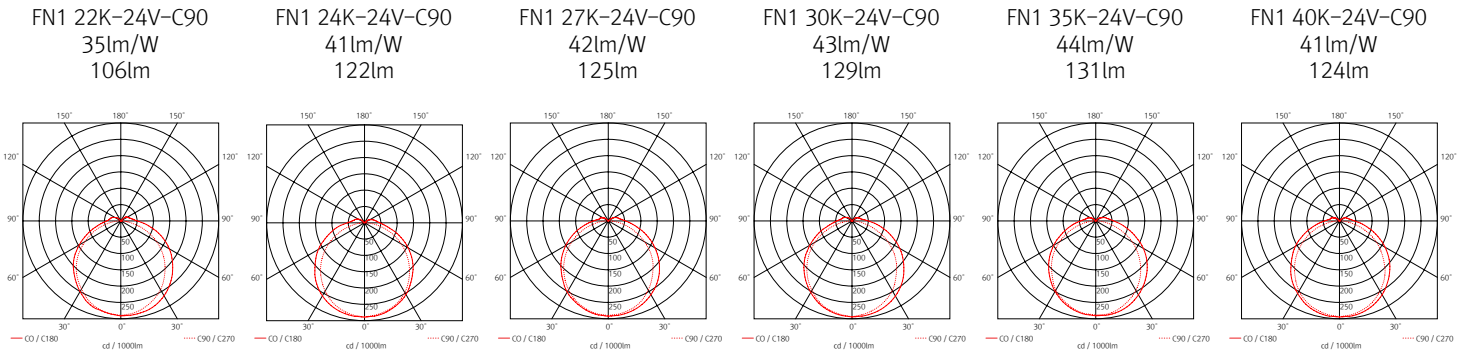
NOT TO BE USED FOR ORDERING. The Specification Guide is intended solely to ensure that all options are considered.

MODEL	COLOR	FEED TYPE	MOUNTING	DRIVER	VOLTAGE	
FN1 FN2	22K -2200K 24K -2400K* 27K -2700K 30K -3000K 35K -3500K 40K -4000K	50K -5000K* 60K -6000K* R - Red* G - Green* B - Blue*	STD - Straight Feed LS - Left Side Feed BS - Bottom Feed*	STD - Flat Brackets BK2 - 15° / 40° Brackets EXL - 4' Extrusion*	NDM Non-Dim FDC 0-10 Interface FDH Forward Phase RDH Reverse Phase	24V

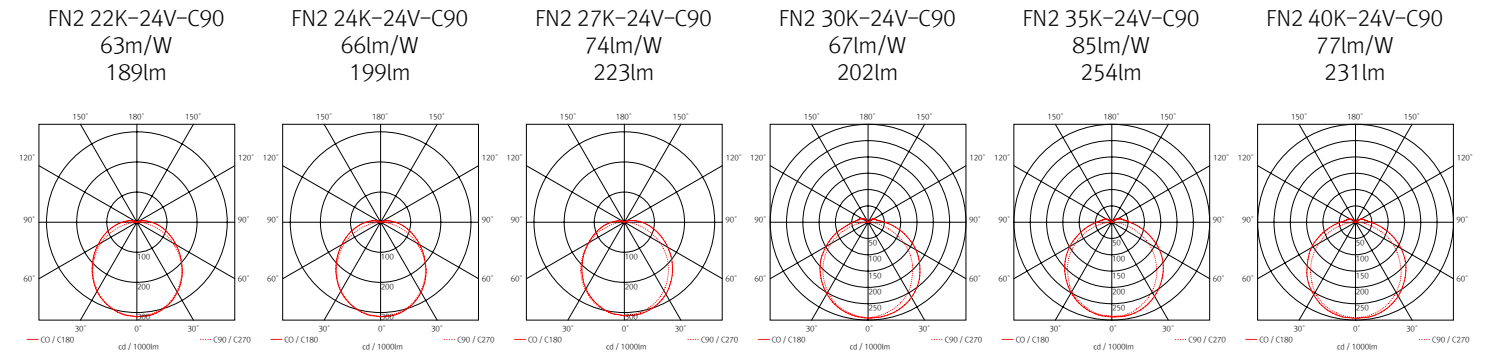
* Available, As Special Order Consult Feelux Lighting

BEAM SPREADS

- FLXible Neon1



- FLXible Neon2



COMPONENTS



FLXible Neon 1
 _FN1-(color)K-24V-C90-5m(16.4')
 _FN1-(color)K-24V-C90-4m(13.1')
 _FN1-(color)K-24V-C90-3m(9.8')
 _FN1-(color)K-24V-C90-2m(6.6')
 _FN1-(color)K-24V-C90-1m(3.3')



FLXible Neon 2
 _FN2-(color)K-24V-C90-5m(16.4')
 _FN2-(color)K-24V-C90-4m(13.1')
 _FN2-(color)K-24V-C90-3m(9.8')
 _FN2-(color)K-24V-C90-2m(6.6')
 _FN2-(color)K-24V-C90-1m(3.3')



12 Port Hub
 __D12P-HUB
 Included with Cord and Plug drivers. Order separately for Hard Wire or 3rd Party Drivers



Mounting Brackets
 __FN1-BRACKET1



Mounting Brackets
 __FN2-BRACKET1



LED Drivers
 __FLC30-24V/XL (30W)
 __FLC75-24V/XL (75W)
 with distributor and power cord 1,800mm(6')



FN1 Extrusion Line
 __FN1-EXL (4')



FN2 Extrusion Line
 __FN2-EXL (4')



Hard Wire Driver
 __FLE60-24V-L10-DIM
 __FLE90-24V-L10-DIM
Additional Power Supply/Driver Options Available. Please consult Factory.



Angled Brackets
 Angled 15° / 40°
 __FN1-BRACKET2
 Optional



Expanding Stick
 __FN-EPS



Hard Wire Driver
 (90V to 300V)
 __XLD200-224V-FCL-DIM
 __XLD75-124V-FC



Expanding Stick
 __FN-EPS



Indoor Power Cable
 __FN2-INPC (8.2')
 with END CAP



Dimming Interface
 (100W/CH, 1CH)
 0-10V Signal
 __FDC-L10 (Max. 100W)



Indoor Power Cable
 __FN1-INPC (8.2')
 with END CAP



Indoor Direct Connector
 __FN2-INCP

A larger selection of drivers are available including remote and hard wire drivers. Please consult factory.



Indoor Direct Connector
 __FN1-INCP



Indoor Connecting Cable
 __FN2-INPTC (6")
 __FN2-INPTC1 (1')
 __FN2-INPTC2 (2')
 __FN2-INPTC4 (4')
 __FN2-INPTC6 (6')



Indoor Connecting Cable
 __FN1-INPTC (6")
 __FN1-INPTC1 (1')
 __FN1-INPTC2 (2')
 __FN1-INPTC4 (4')
 __FN1-INPTC6 (6')



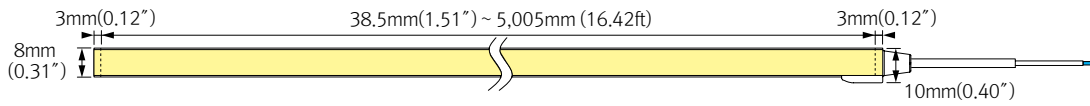
Field Termination
 __FN2-FTKIT



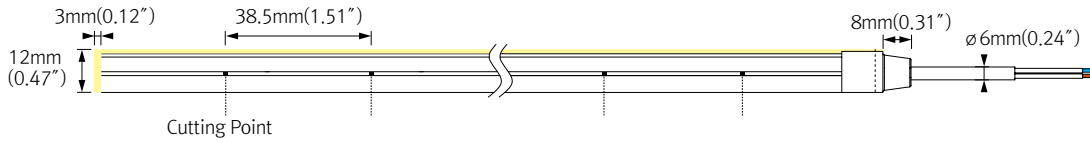
Field Termination
 __FN1-FTKIT

DIMENSIONS

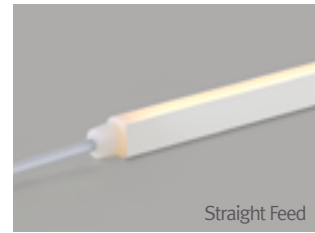
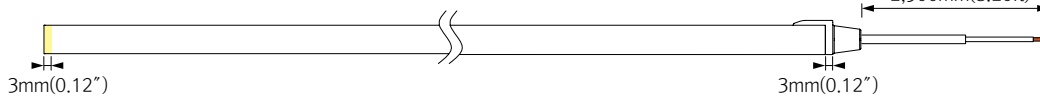
TOP VIEW



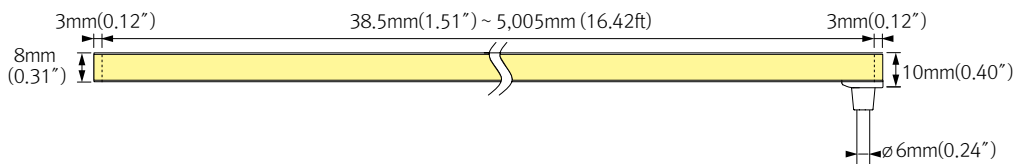
SIDE VIEW



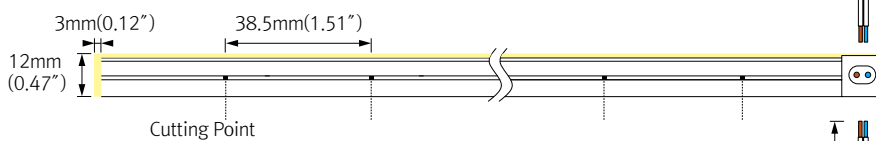
BOTTOM VIEW



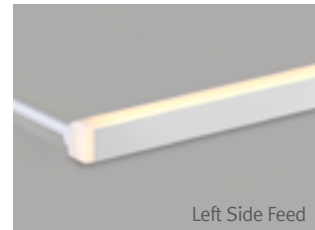
TOP VIEW



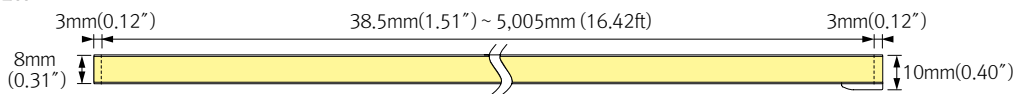
SIDE VIEW



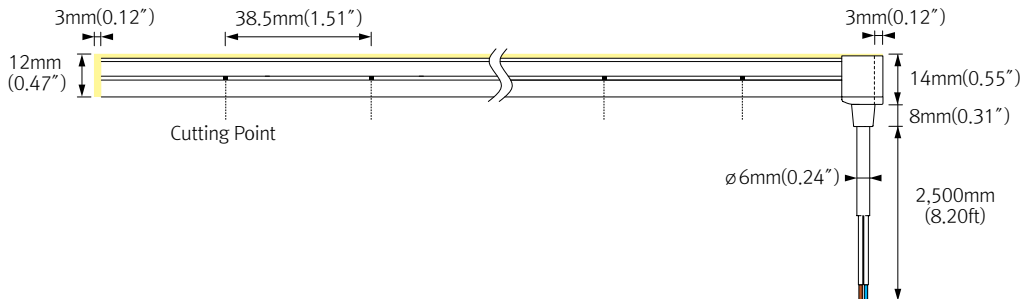
BOTTOM VIEW



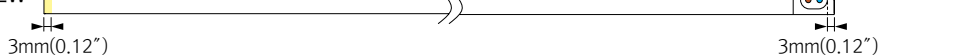
TOP VIEW



SIDE VIEW

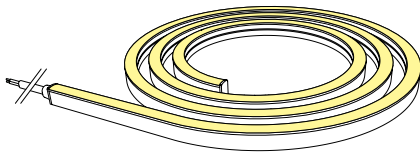
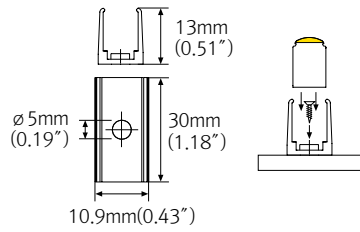


BOTTOM VIEW

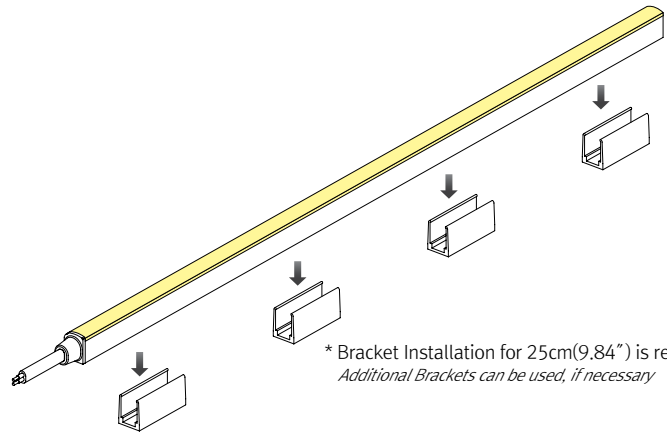


FLXible Neon can be cut every 38.5mm (1.52").
Please follow the cutting point mark to cut precisely as needed.

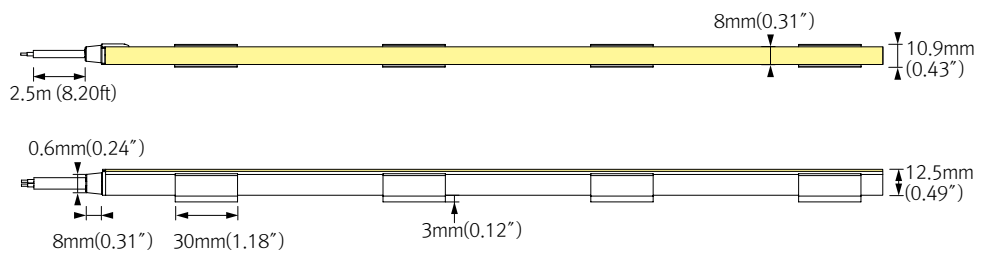
INSTALLATION – Bracket



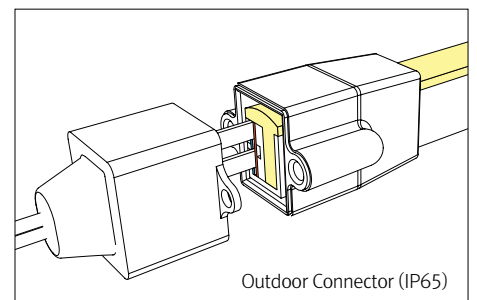
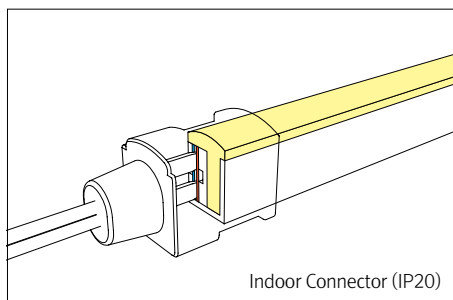
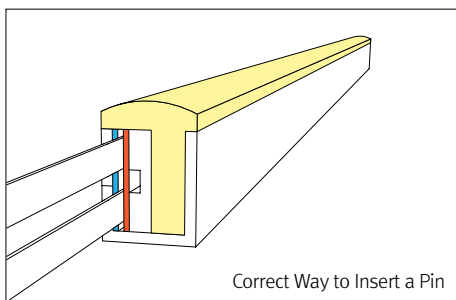
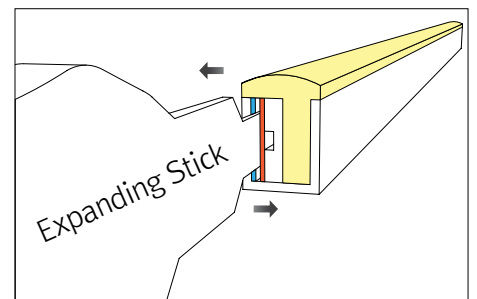
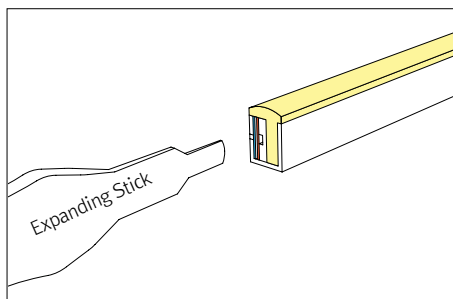
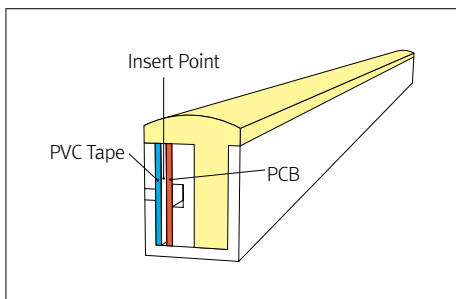
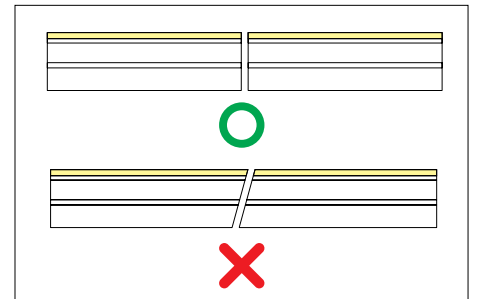
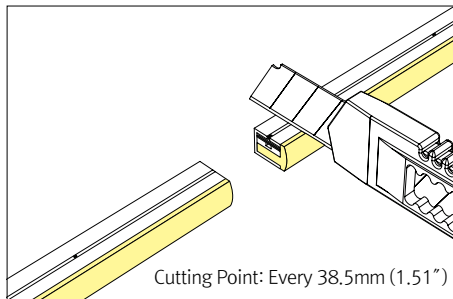
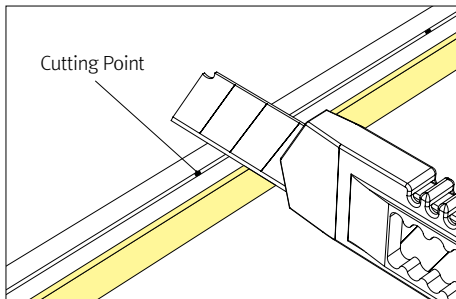
* Bracket & Screw are included every 25cm (9.84")



* Bracket Installation for 25cm(9.84") is recommended
 Additional Brackets can be used, if necessary

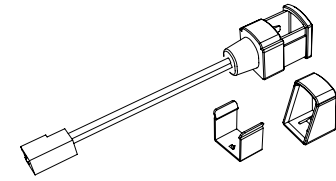


INSTALLATION – Termination Kit

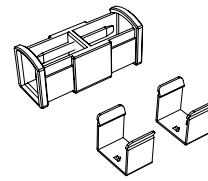


INSTALLATION – Indoor Termination (IP20)

* Components

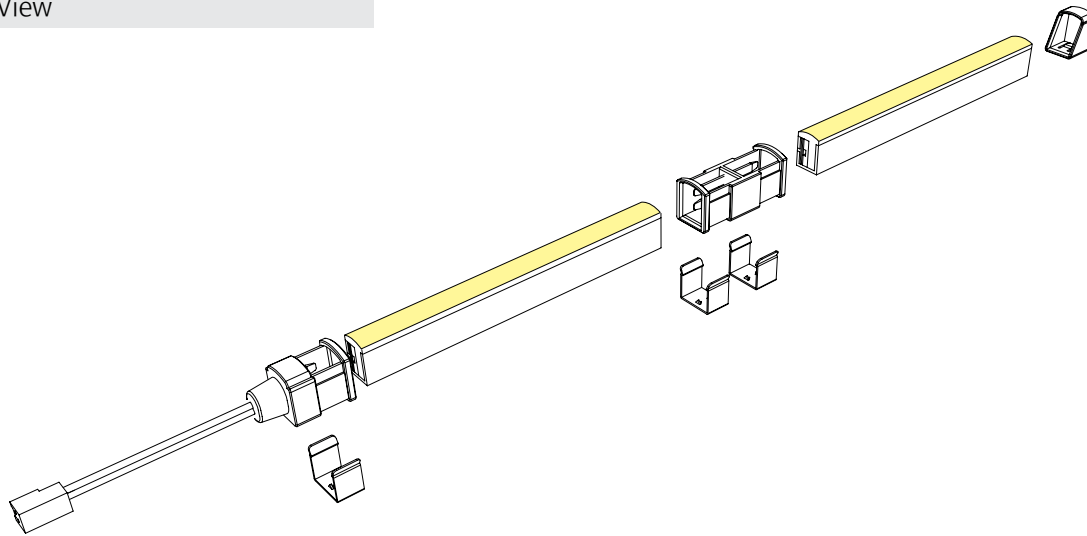


FN1-INPC
– Indoor Power Cable with END CAP



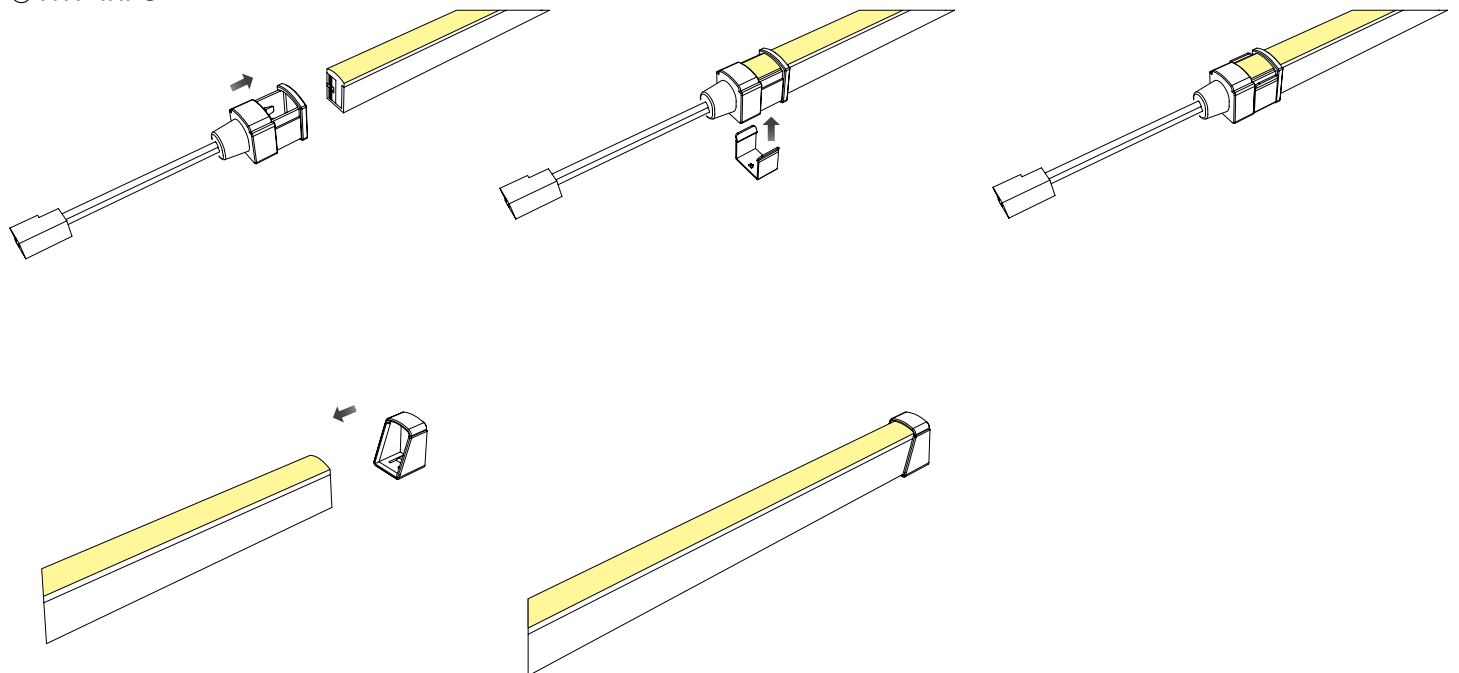
FN1-INCP
– Indoor Direct Connector

* Expanded View

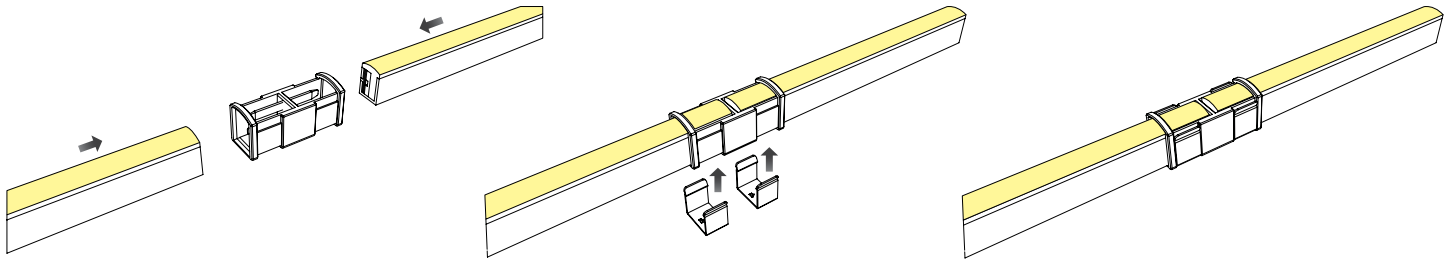


* Installation Method

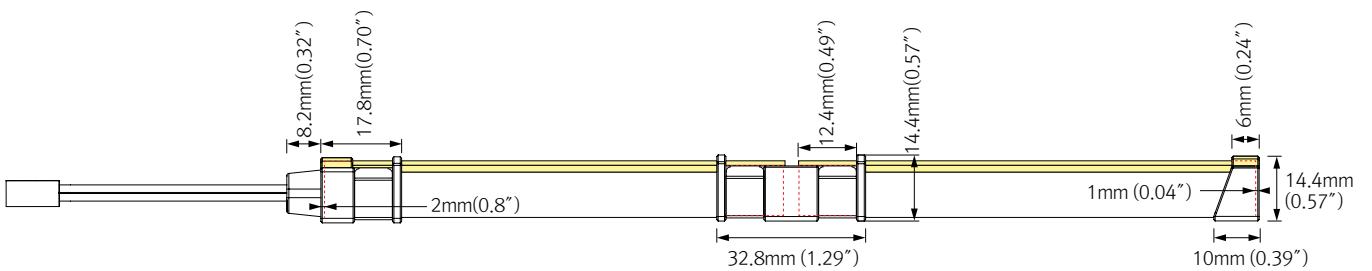
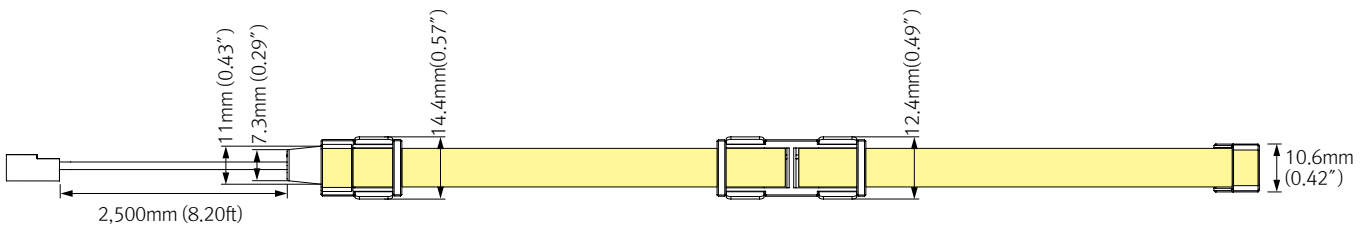
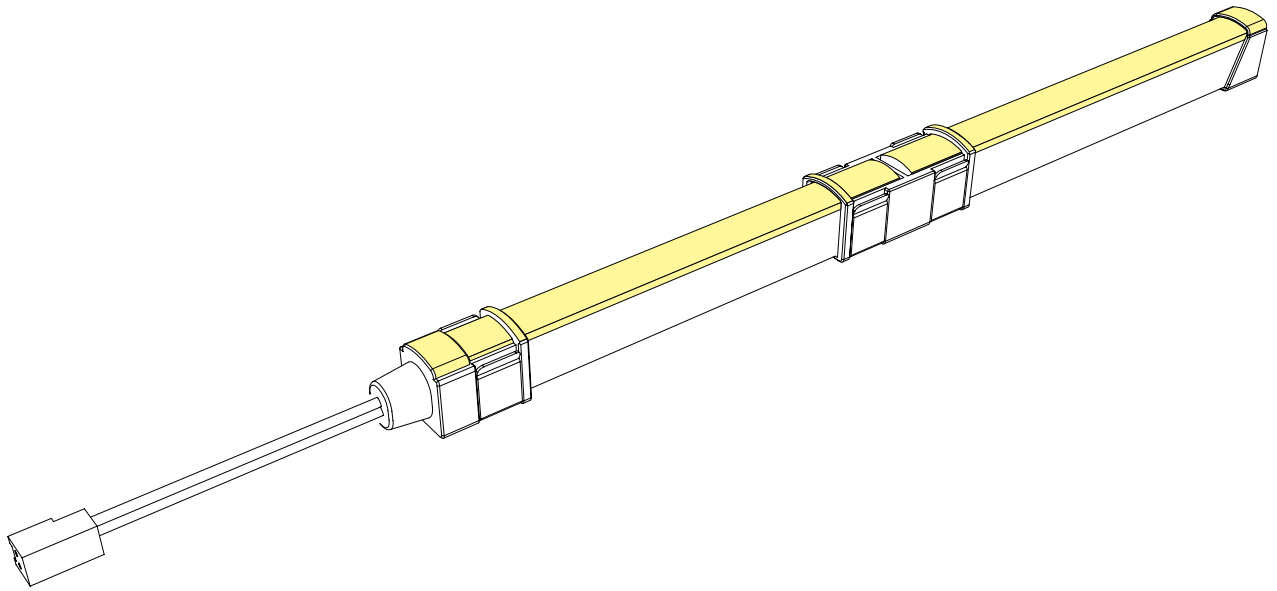
① FN1-INPC



② FN1-INCPL

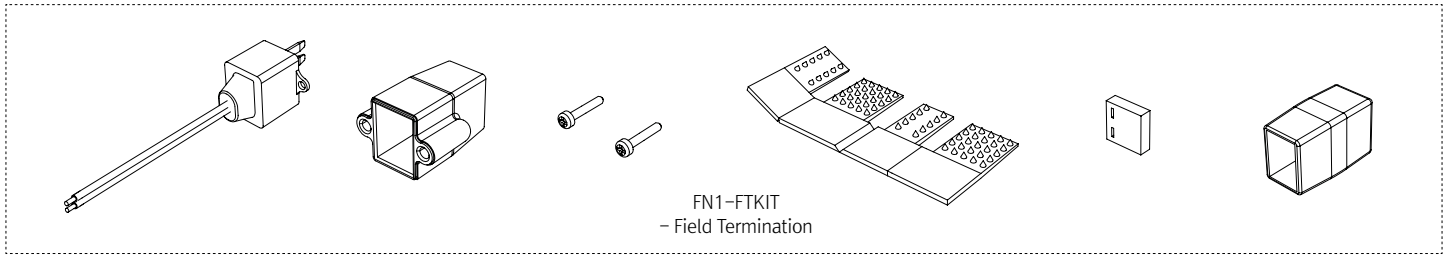


* Finished view

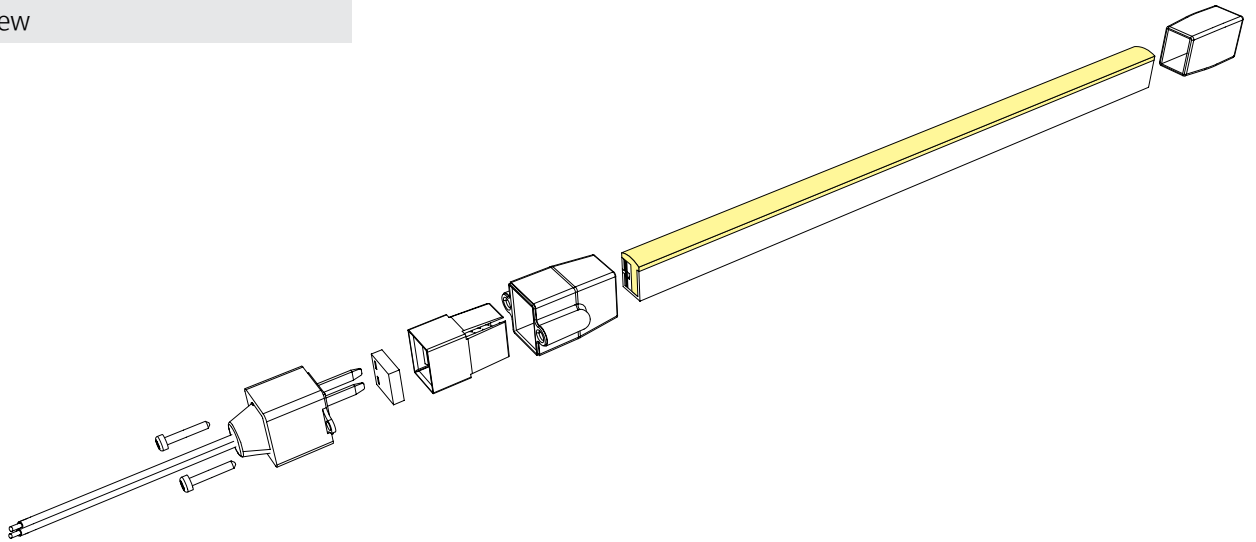


Installation – Field Termination (IP65)

* Components

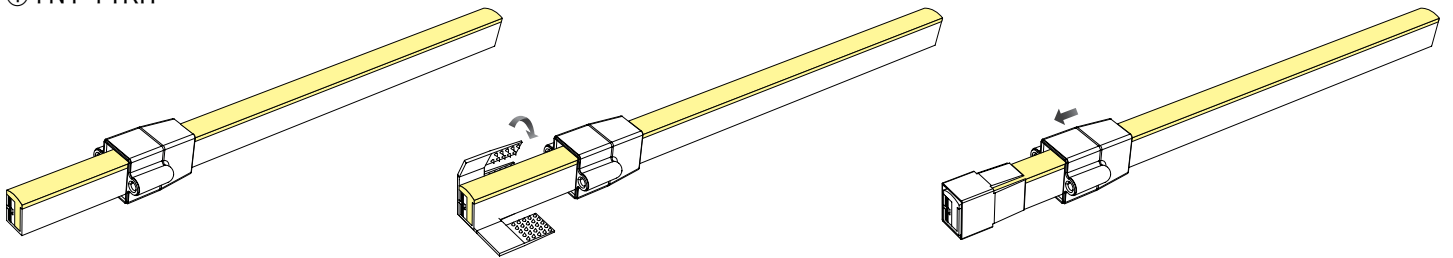


* Expanded View

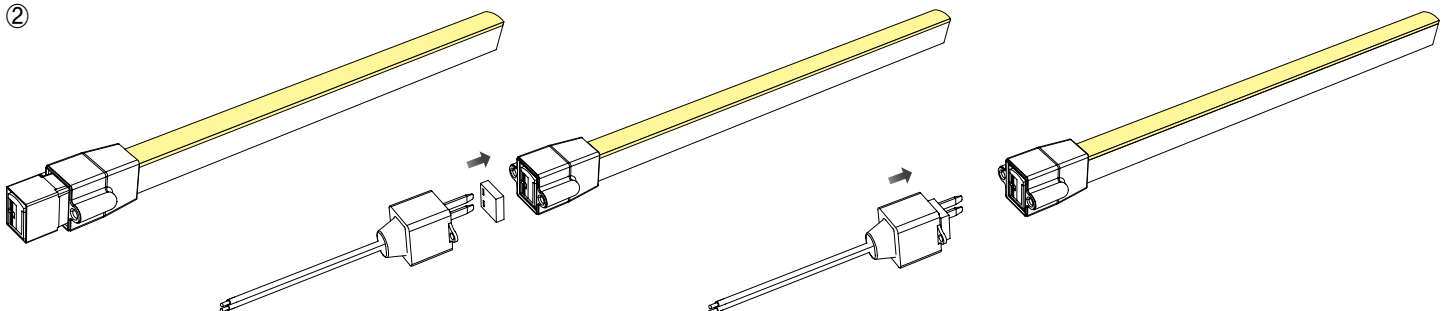


* Installation Method

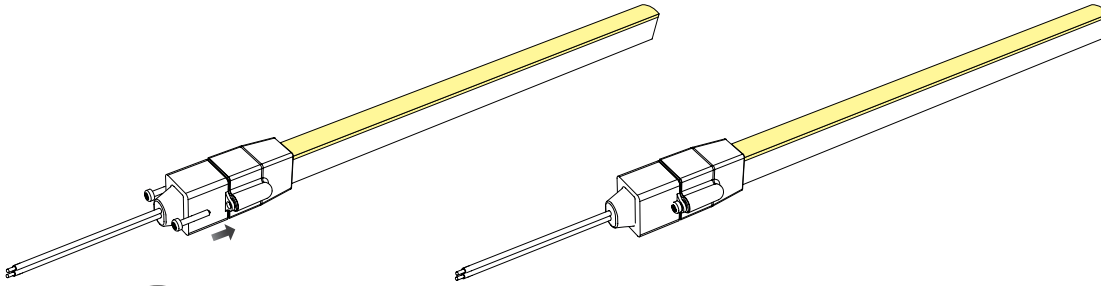
① FN1-FTKIT



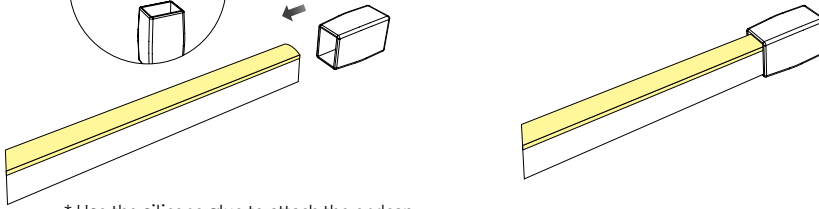
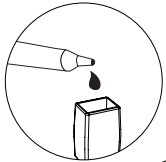
②



③

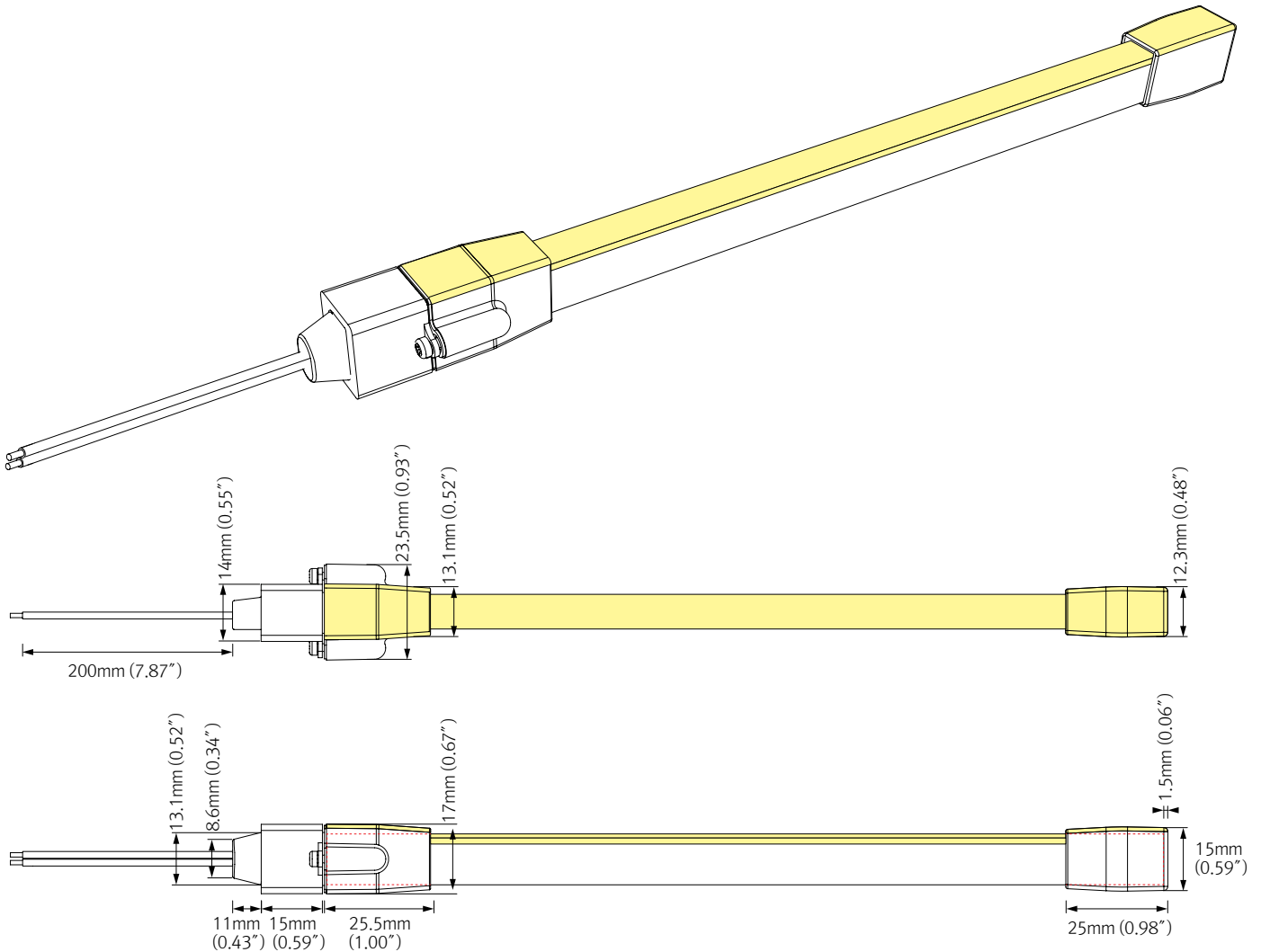


④



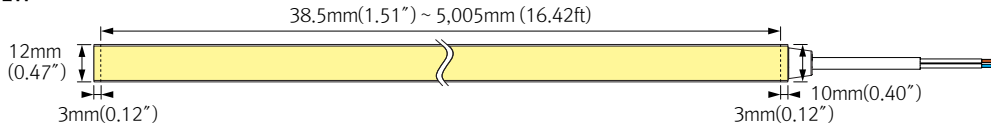
* Use the silicone glue to attach the endcap

* Finished view

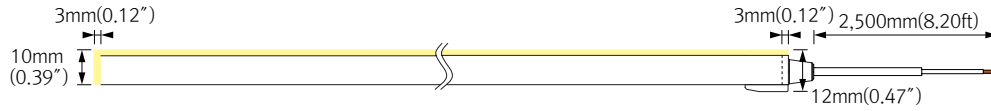


DIMENSIONS

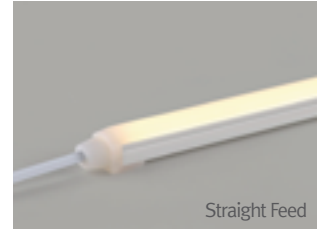
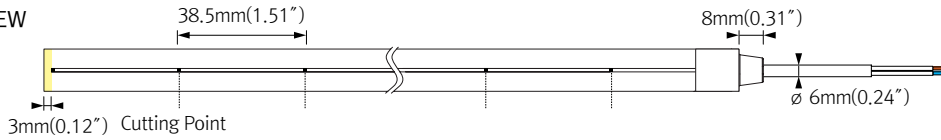
TOP VIEW



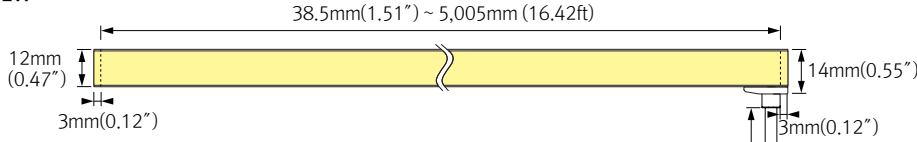
SIDE VIEW



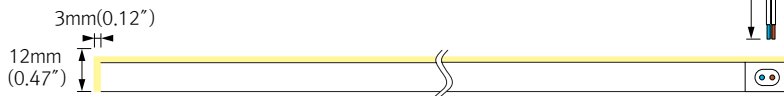
BOTTOM VIEW



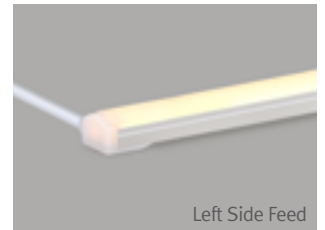
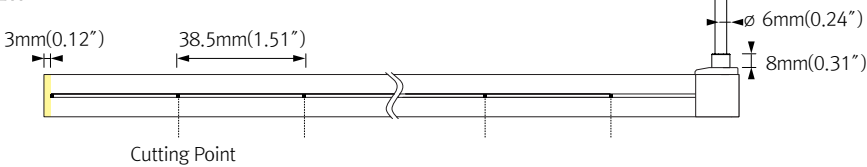
TOP VIEW



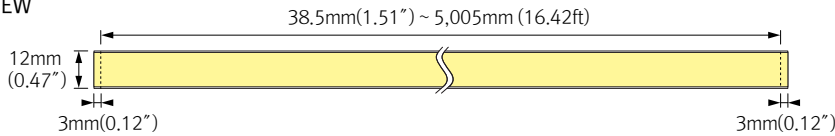
SIDE VIEW



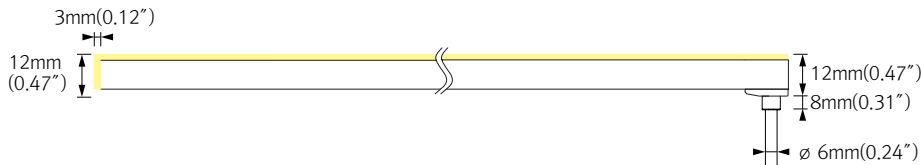
BOTTOM VIEW



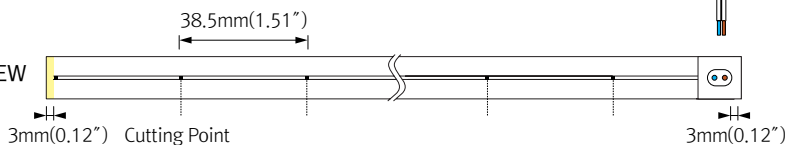
TOP VIEW



SIDE VIEW

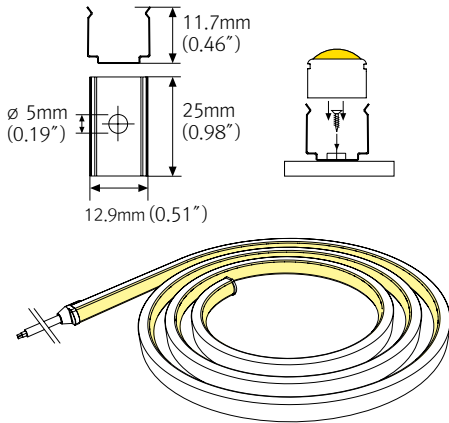


BOTTOM VIEW

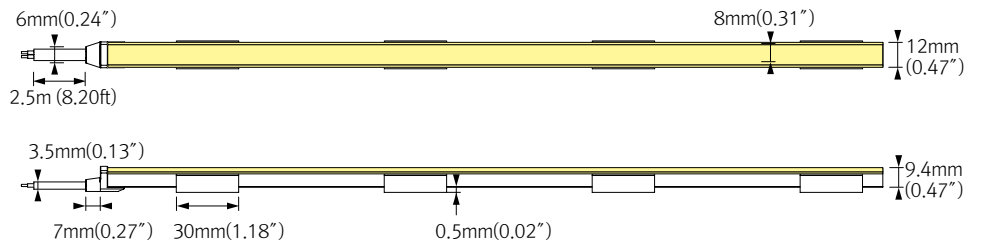
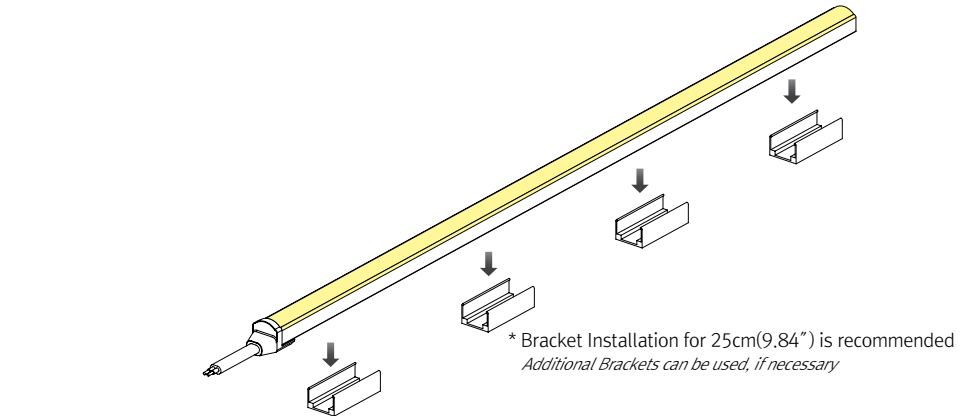


FLXible Neon can be cut every 38.5mm (1.52").
Please follow the cutting point mark to cut precisely as needed.

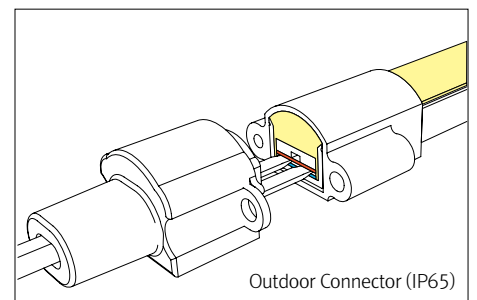
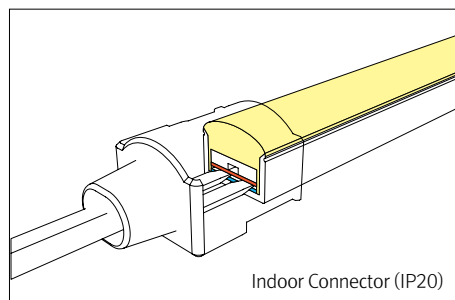
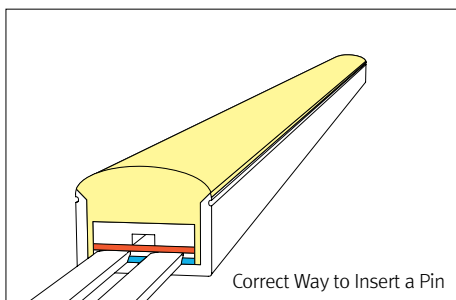
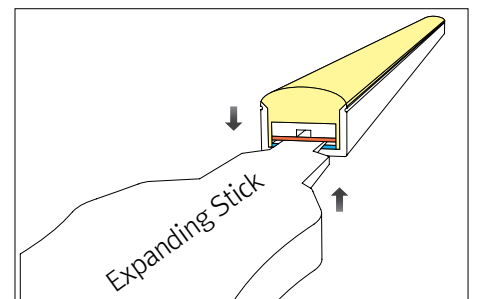
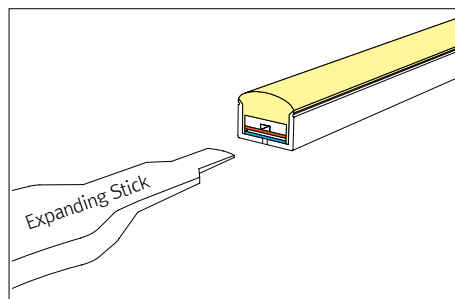
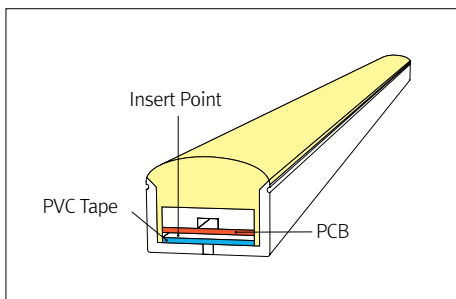
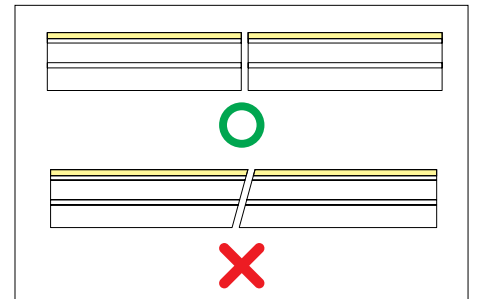
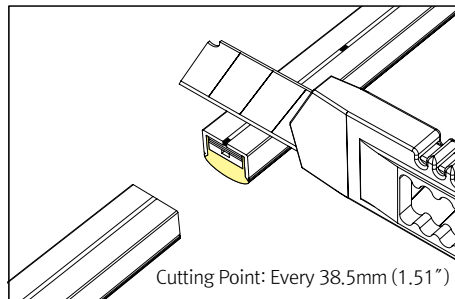
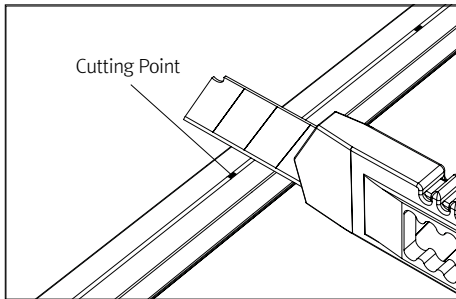
INSTALLATION – Bracket



* Bracket & Screw are included every 25cm (9.84")

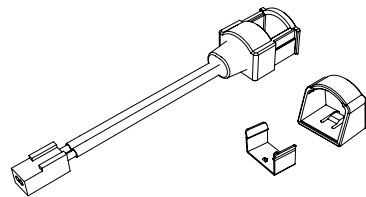


INSTALLATION – Termination Kit

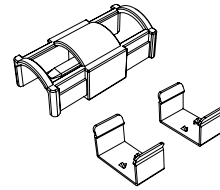


INSTALLATION – Indoor Termination (IP20)

* Components

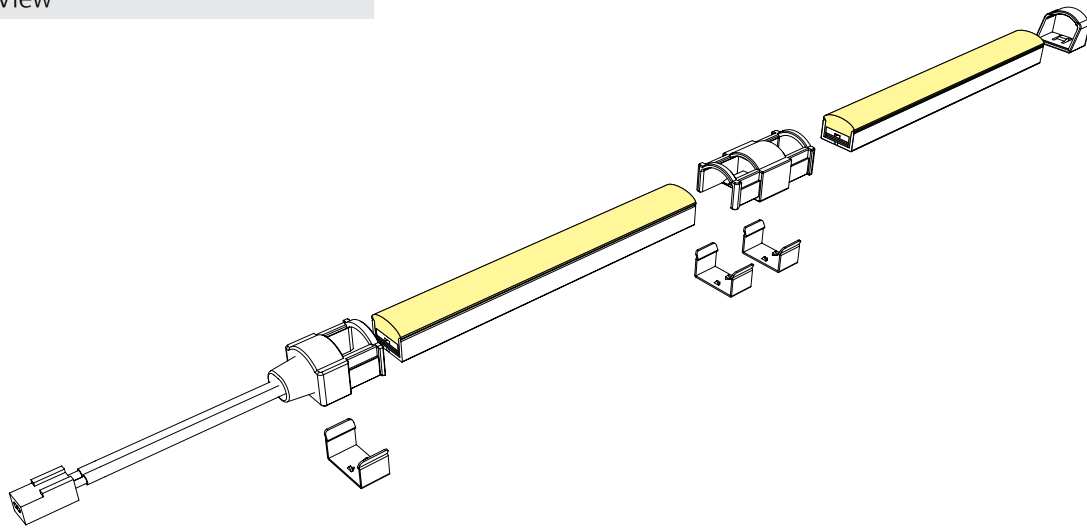


FN2-INPC
– Indoor Power Cable with END CAP



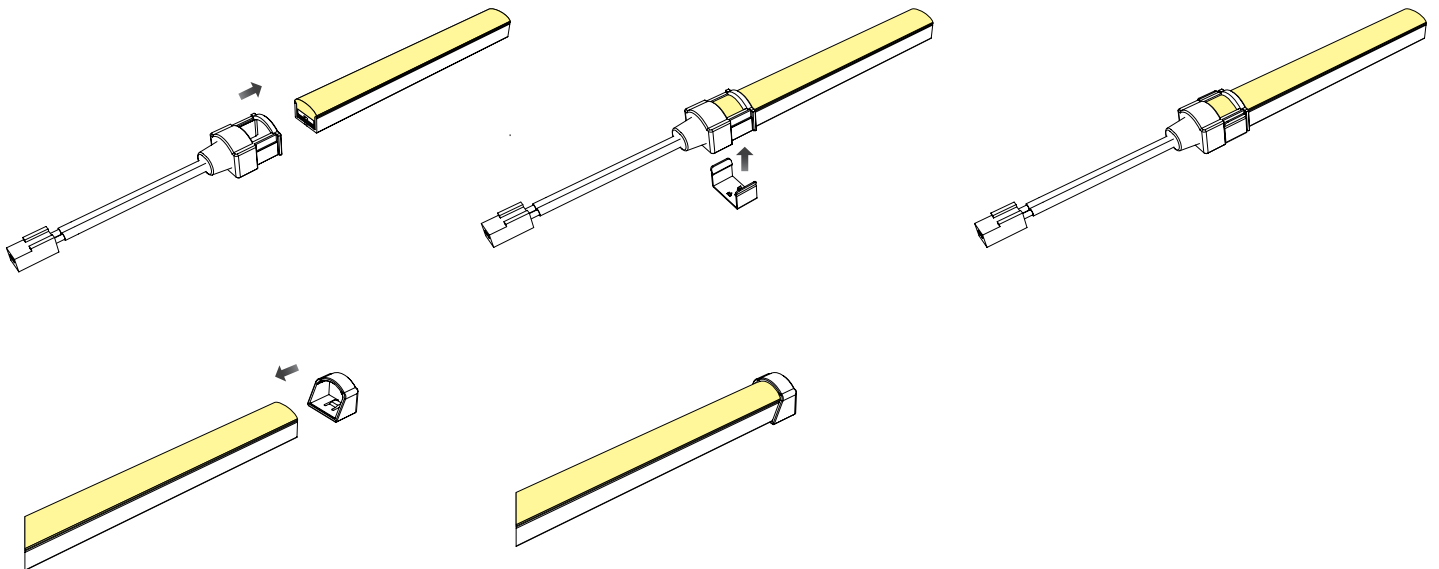
FN2-INCP
– Indoor Direct Connector

* Expanded View

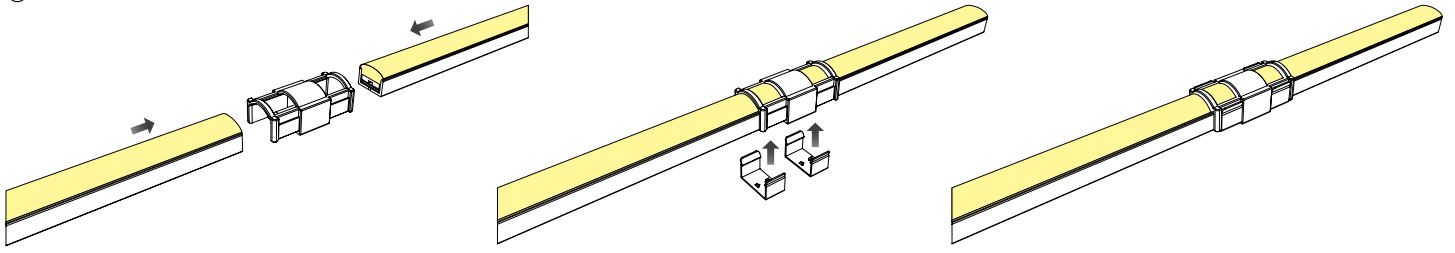


* Installation Method

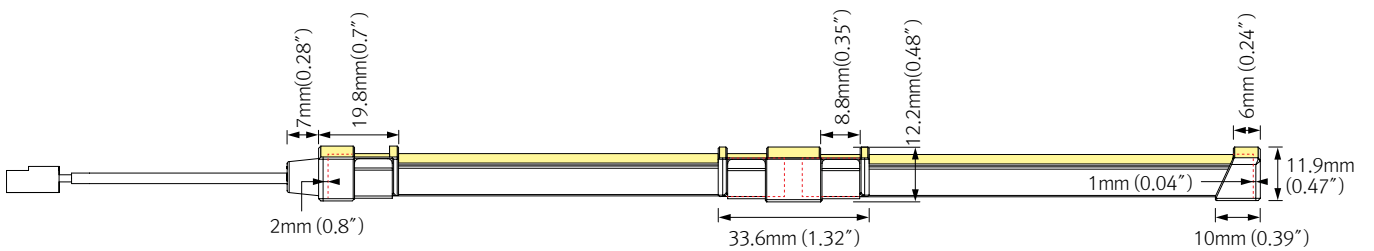
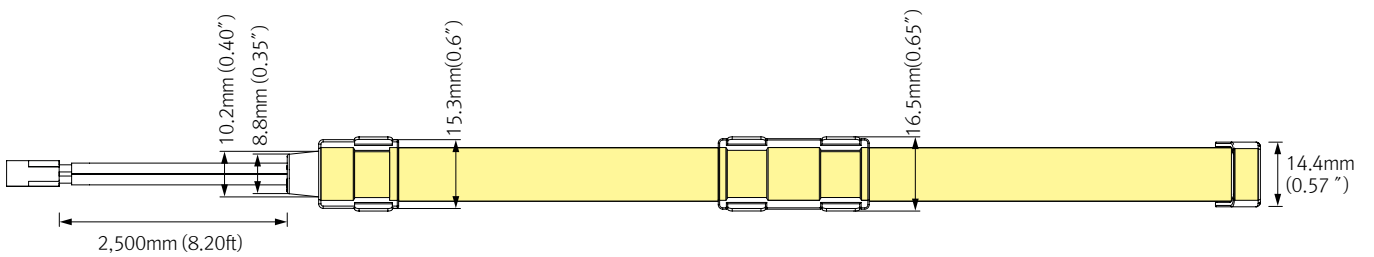
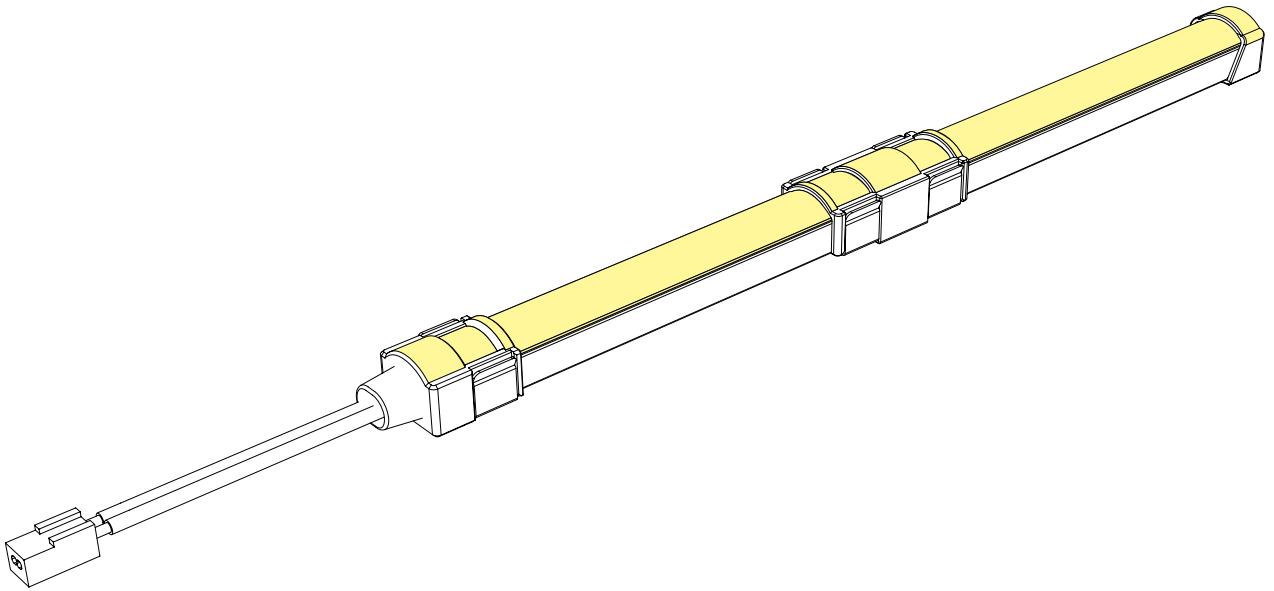
① FN2-INPC



② FN2-INCPL

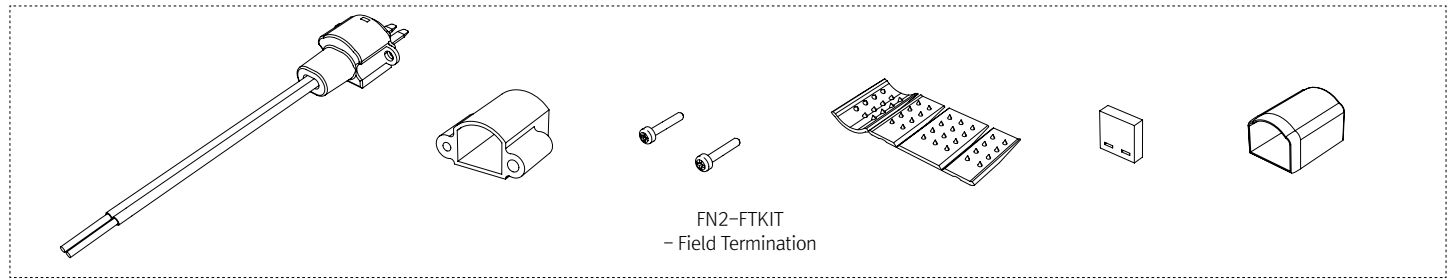


* Finished View

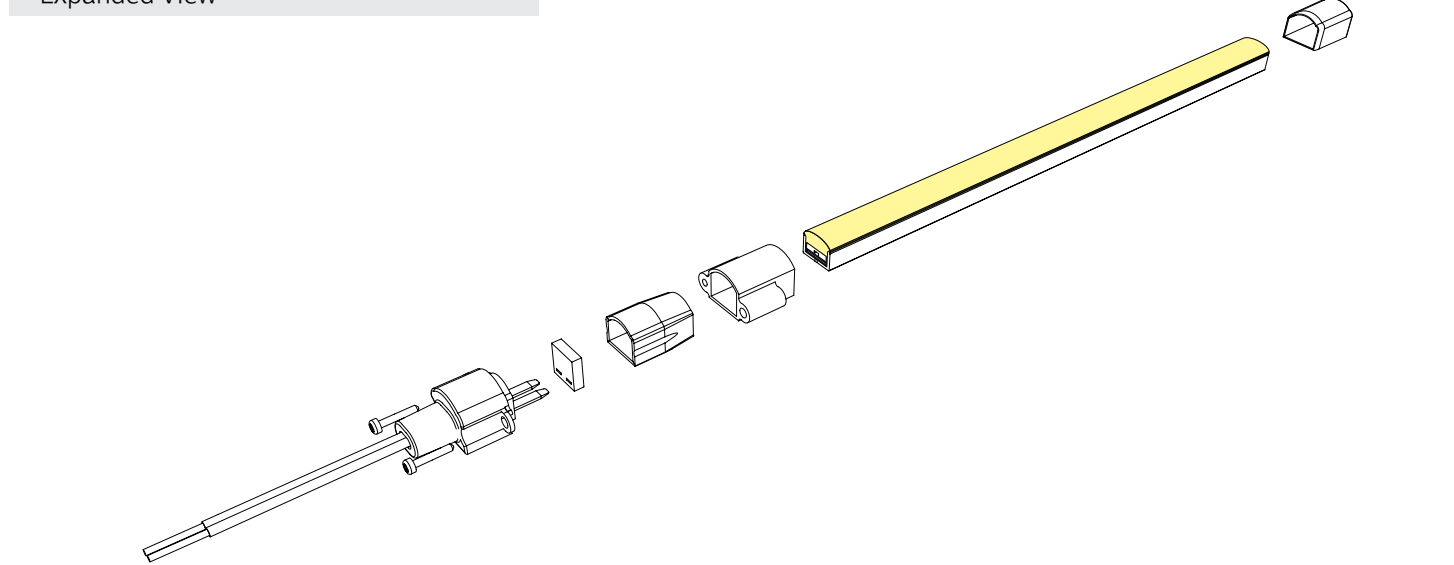


INSTALLATION – Field Termination (IP65)

* Components

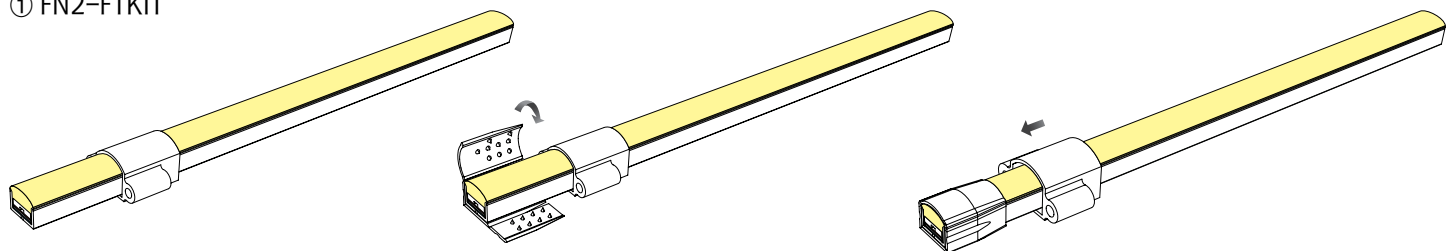


* Expanded View

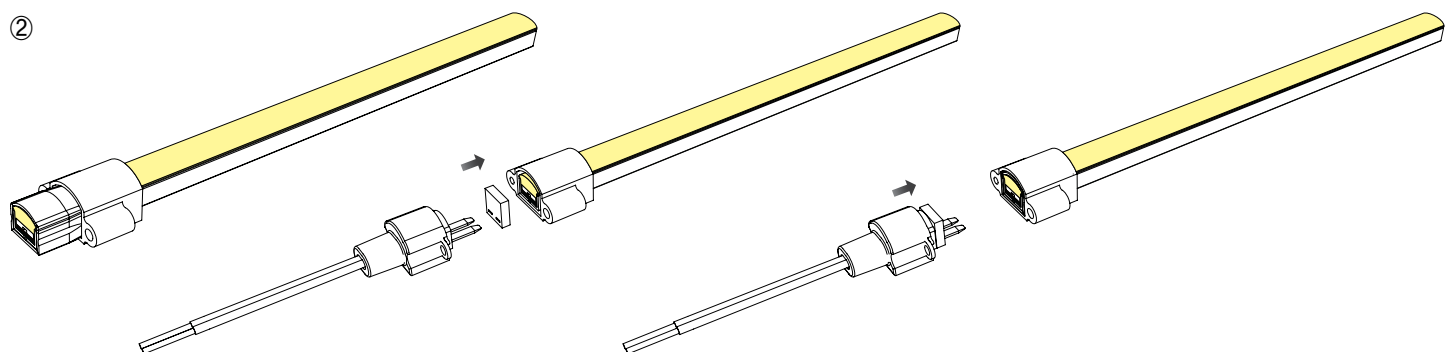


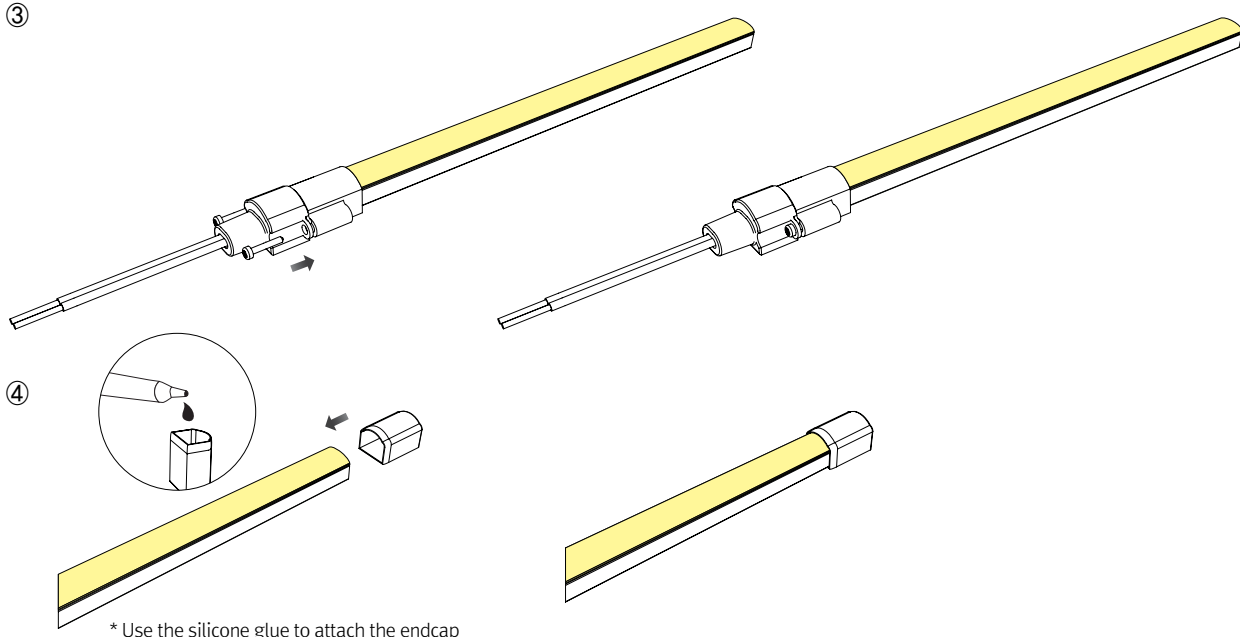
* Installation Method

① FN2-FTKIT



②





* Finished View

