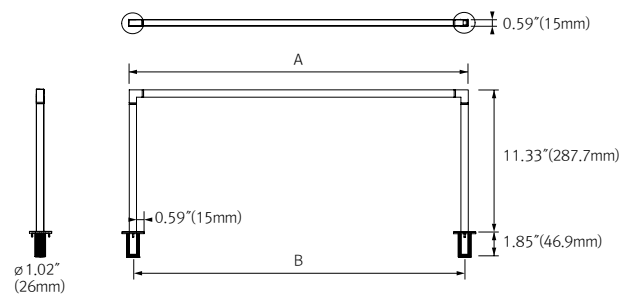


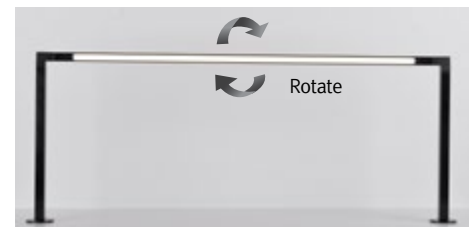
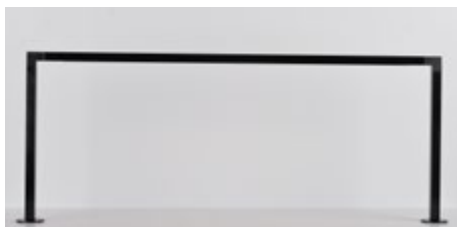
PRODUCT FEATURES

- For Use with NDPro
- Sleek Aluminum Body with Rotating Top Bar
- 2', 3', 4' Lengths Available
- Simple Assembly with FLX Stix NDPro fixture
- Power through Arm
- Adjustable from 4"-11"
- Ideal for Showcase, Exhibit, Museum Design
- CRI+95
- Dimming 0-10V, ELV
- Consult factory for further options
- Please refer to NDPro Specification Sheet

DIMENSIONS

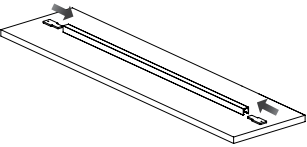


NDPro Showcase Arm for	Lamp Power	Luminous Flux (4000K)	A (Top Length)	B (Recommended Distance for Mounting Holes)
NDP4 (color)K-24V-C90	4W	300 lm	15.6"(396.5mm)	15"(381mm)
NDP7 (color)K-24V-C90	7W	570 lm	26.6"(676.5mm)	26"(661mm)
NDP11 (color)K-24V-C90	11W	860 lm	37.6"(955.5mm)	37"(940mm)
NDP15 (color)K-24V-C90	15W	1,210 lm	48.6"(1234.5mm)	48"(1219mm)



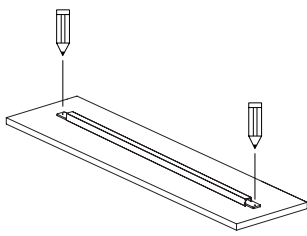
INSTALLATION

Step.1



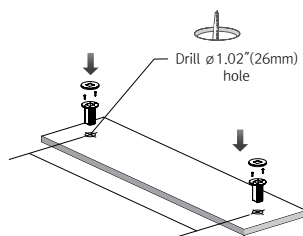
1. Place the Top Bar onto the deck.
2. Insert the hole guides into both ends of Top Bar.

Step.2



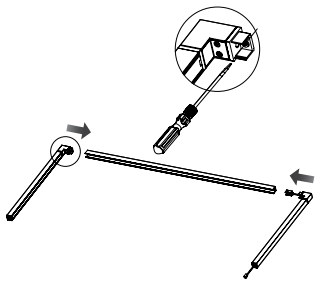
1. Mark the hole to determine the location to drill.

Step.3



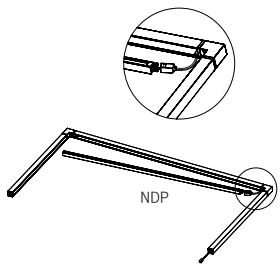
1. Drill $\varnothing 26\text{mm}$ holes to insert Mounting Base.
2. Fix Mounting Base with screws and attach Mounting Base Cover on top.

Step.4



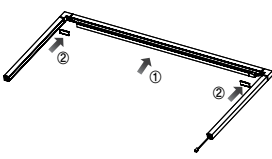
1. Connect Top Bar with Side Pole and Power Pole on each side.
2. Tighten the screw on both Side Pole and Power Pole for assembly stability.

Step.5



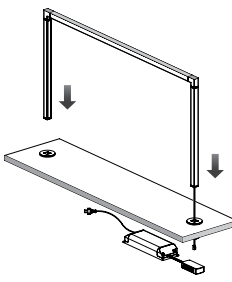
1. Connect NDPro fixture to power cable from Power Pole.

Step.6



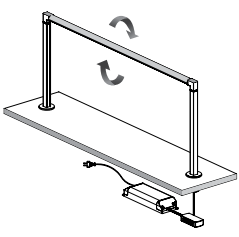
1. Mount NDPro fixture on Top Bar with magnets.
2. Push and insert Fix Cover to cover both ends for clean look.

Step.7



1. Insert Side Pole and Power Pole onto Mounting Base Cover.
2. Connect power cord from Power Pole to FLC30/FLC75 LED driver.

Step.8



1. Rotate Top Bar to desired position and check NDPro lighting fixture is on and functioning properly.

Required Accessories



- Ⓐ LED Driver
- Ⓑ FLX Stix NDPro
- Ⓒ Top Bar
- Ⓓ Fix Cover
- Ⓔ Hole guide
- Ⓕ Side Pole
- Ⓖ Power Pole
- Ⓗ Mounting Base
- Ⓘ Mounting Base Cover
- ⓷ Screw

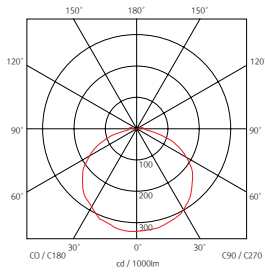
NDPro Top Bar

NDPro Showcase Arm Kit

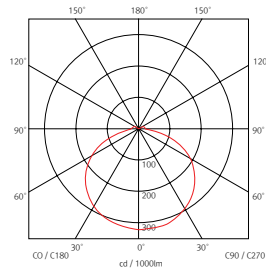
* Item Ⓐ Ⓑ are sold separately

BEAM SPREADS

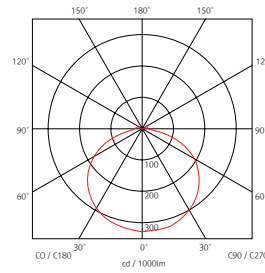
NDP4 40K-24V-C90
75.32 lm/W
270.40 lm



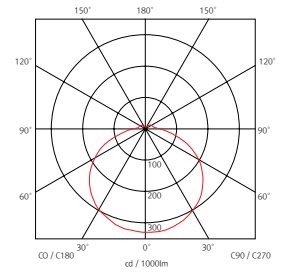
NDP7 40K-24V-C90
74.59 lm/W
531.00 lm



NDP11 40K-24V-C90
74.75 lm/W
797.05 lm



NDP15 40K-24V-C90
75.26 lm/W
1078.47 lm



COMPONENTS



NDPro Showcase Arm Kit
__ NDP-SA-KIT



NDPro Fixture
__ NDP4-(color)K-24V
__ NDP7-(color)K-24V
__ NDP11-(color)K-24V
__ NDP15-(color)K-24V



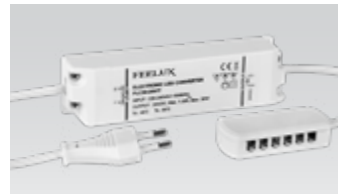
NDP Showcase Arm Top Bar
__ NDP4-SA-Kit-TB (12")
__ NDP7-SA-Kit-TB (24")
__ NDP11-SA-Kit-TB (36")
__ NDP15-SA-Kit-TB (44")



Dimming Interface (0-10V)
__ FDC-L10
Max. 100W (100W/CH, 1CH) 0-10V
Signal
*Required for 0-10V Dimming



12 Port Hub
__ D12P-HUB
Included with Cord and Plug drivers.
Order separately for Hard Wire or 3rd Party Drivers



LED Drivers
__ FLC30-24V/XL (30W) *
__ FLC75-24V/XL (75W) *
With distributor and power cord
1800mm (6')



Driver Junction Box
__ MHWB-FLE



Hard Wire Driver
__ XLD200-224V-FCL-DIM
__ XLD75-124V-FC *
(90V to 300V)



Hard Wire Driver
__ FLE60-24V-L10-DIM
__ FLE90-24V-L10-DIM

Additional Power Supply / Driver Options Available.
Please consult Factory.

A Larger selection of drivers are available including remote and hard wire drivers. Please consult factory.