

**Please open all cartons immediately to ensure all material on on-site and undamaged.
Any claims must be filed within 15 days of receipt of product.**

Please read all assembly and installation instructions of Feelux products

1. Before attempting to install or use fixture, read and understand the following installation instructions and safety labels.
2. If you have any questions, please contact Feelux Lighting Technical Support at:
 - a. 678 668 7005 ext. 113 or techsupport@feeluxlighting.com
3. Feelux product must be installed by a licensed electrician in accordance with all National and Local Electrical and Construction Codes and Regulations.
4. Verify electrical plan.
5. Ensure the main power supply is off before installing or wiring fixtures.
6. Do not install a fixture if the unit, lens, housing or power cables are damaged.
7. Fixtures have no serviceable parts.
8. Do not use a fixture or driver for any voltage for which it is not rated.
9. Do not exceed the specified voltage, current or wattage for any fixture or driver
10. Feelux Lighting FLX Stix complies with Part 15 of the FCC rules. Class B Digital Apparatus complies with Canadian ICES-003.
11. Feelux FLX Stix fixtures are damp rated and closet approved.
12. Confirm that Driver/Transformer is compatible with fixtures and proposed dimming control system.
13. IMPORTANT NOTE – FLX STIX DVS/DVS Swivel has a maximum of 7 fixtures connected.

Feelux Lighting FLX Stix DVS/DVS Swivel Installation Instructions

1. Feelux FLX Stix DVS/DVS Swivel product requires a power feed for every 55W.
 - a. Side Feed units can be used for continuous, uninterrupted installation of lighting.
 - b. Side Feed units have factory installed power cable.
2. Splicing: DVS/DVS SwivelPC and Side Feed Power Cables are 8'.
 - a. If remote mount driver/power option is used
 1. Contractor to provide low voltage wire from driver/transformer to Power Cable.
 - b. Contractor must test for 24V signal at all splice points.
 - c. Polarity must be followed and is:
Lead: Gray Striped – Negative
Lead: White Wire – Positive
3. Feelux PTC Connecting Cables (Jumpers) cannot be modified.
4. DVS/DVS Swivel-Bracket3 MUST be used to support all junction points. This bracket is included with the fixture.
5. Product cannot be installed via magnets when installing in downward position. Please check with factory for information.
6. Standard lens must be removed prior to replacement with optional (RM, SM) Spot Free lens covers.
7. In-Line dimmer option is available for FLX Stix DVS/DVS Swivel. Maximum of 7 fixtures can be daisy chained.

CAUTION: DO NOT EXCEED RATED WATTAGE OF PRODUCT OR DRIVER AT ANY TIME

Approved Drivers and Transformer

The Drivers and Transformers listed below are approved for the Feelux FLX Stix Series:

- Feelux FLC, FLE, XLD and XLAV Series Drivers
- Meanwell
- Lutron
- Justin and Q-Tran: Please check with factory for availability.
 - *Please note when dimming that DC + Cap is required.
- Please consult factory for additional power supply, driver and transformer options.

Please note that for FLC and XLD75, the FDC-L10 dimming interface is required. Please check with Feelux Lighting for additional Driver/Power Supply options. Using unapproved Driver/Power Supply may void warranty.

Tips

1. Make certain all surfaces are free of dirt and debris prior to installation.
2. Snap fixtures firmly together to ensure proper connection.
3. Bracket 3 must be used at all connection points.
4. Bracket 4 must be used at all PC/PTC connection points.
5. Use mounting brackets for proper alignment.
6. After installation remove/blow off all construction dust and debris.
7. Fixtures must be protected from paint and paint splatter.
8. When using optional Spot Free lenses
 - a. For straight runs, ensure there are no gaps between the lens. They should meet end to end.
 - b. End caps must be used at end points to keep dust and debris out of the fixtures.
 - c. When using in stagger pattern, end caps must be applied to each fixture.

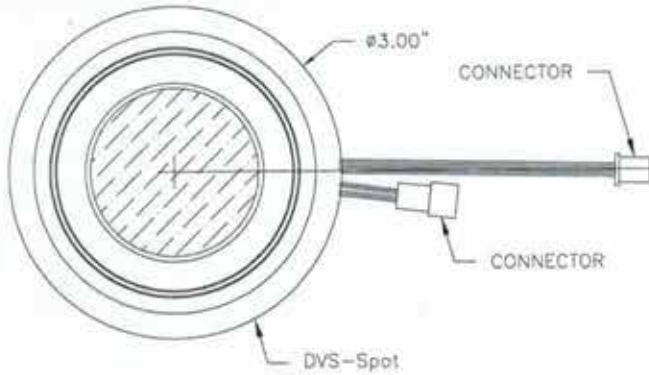
Troubleshooting

1. Check electrical and mechanical connections points.
2. Verify that connections are using brackets 3 & 4 to secure.
3. Is the fixture run over the maximum wattage/maximum run length?
4. Is the wattage exceeded for the driver?
5. Verify that polarity was followed if power cord spliced.
6. Check for voltage drop.
7. Is the driver being used the correct unit for the dimming control?

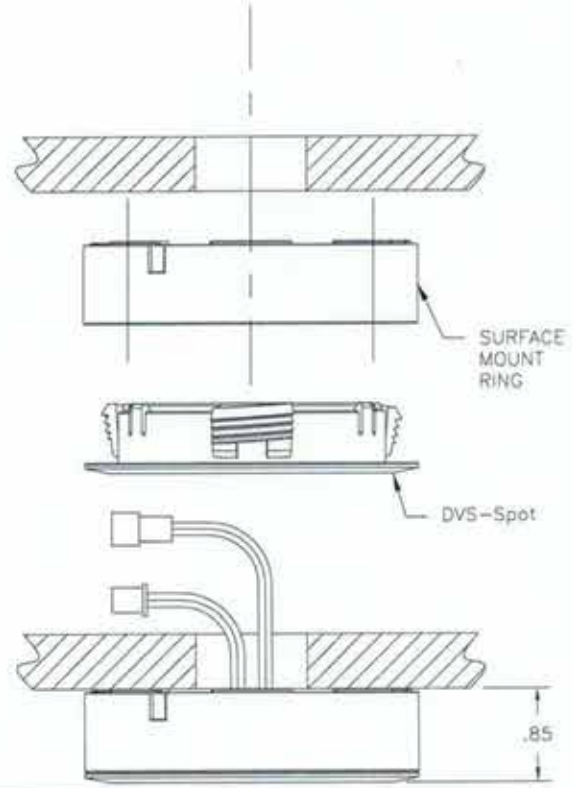
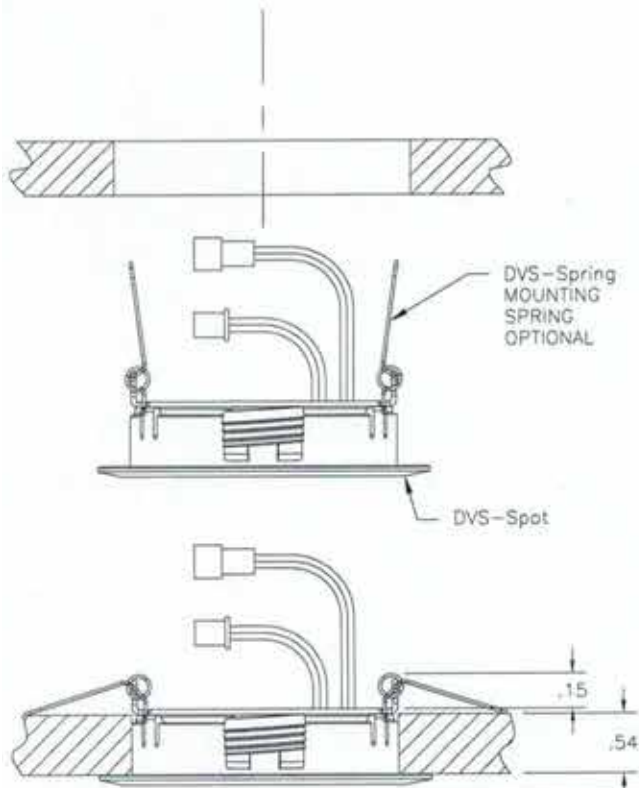
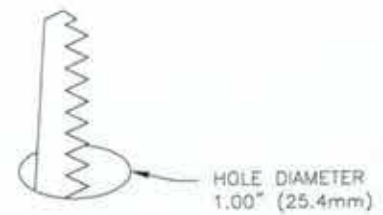
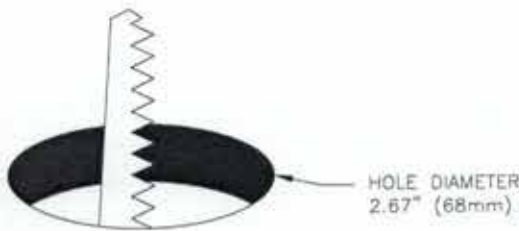
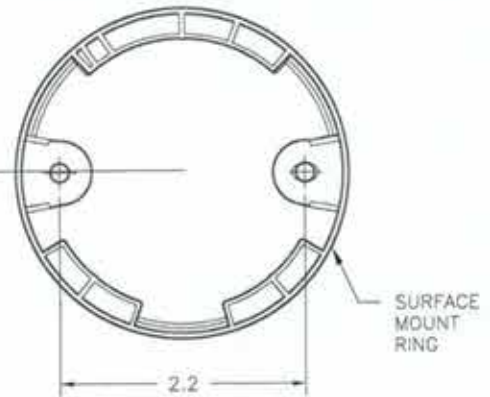
CAUTION: DO NOT EXCEED RATED WATTAGE OF PRODUCT OR DRIVER AT ANY TIME

Fixture and Accessory Dimensions

DVS RECESSED MOUNTING

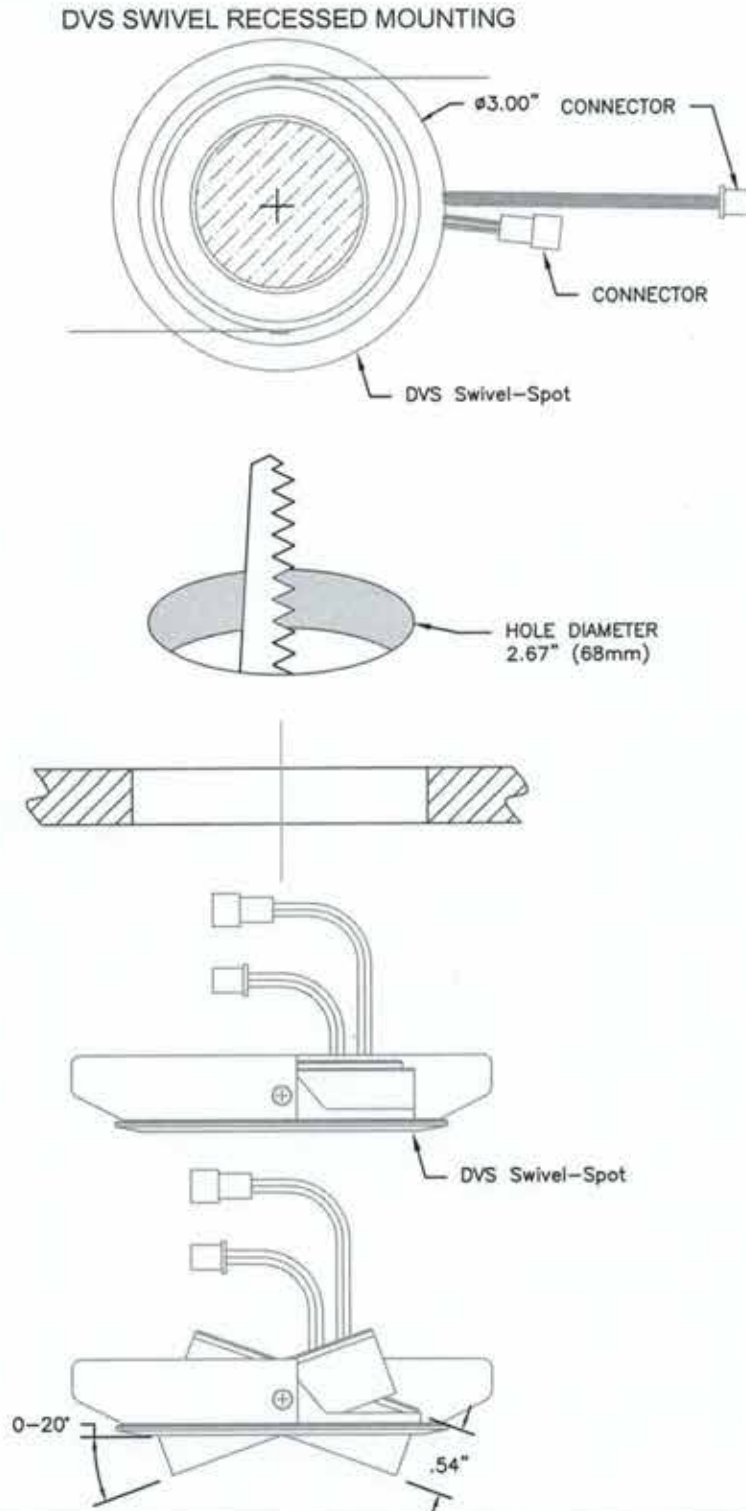


DVS SURFACE MOUNTING



CAUTION: TOTAL CONNECTED FIXTURES WATTAGE NOT TO EXCEED DRIVER WATTAGE

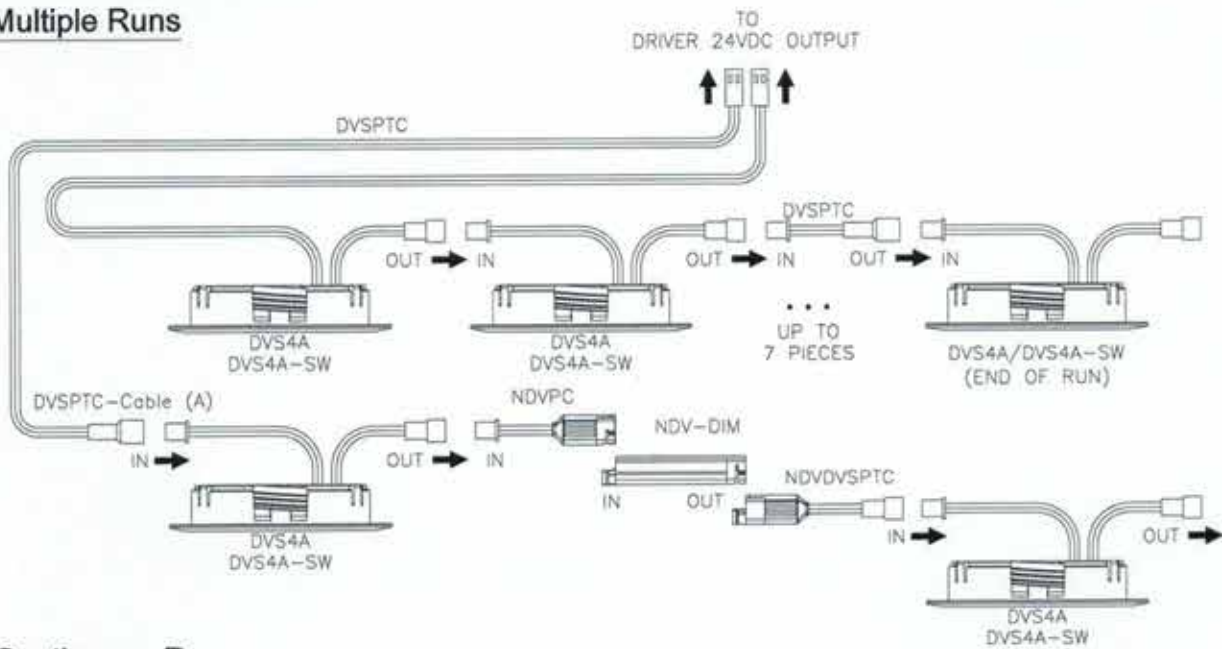
Fixture and Accessory Dimensions



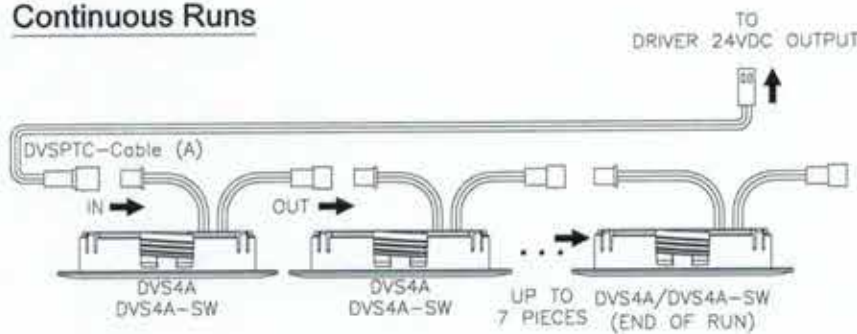
CAUTION: TOTAL CONNECTED FIXTURES WATTAGE NOT TO EXCEED DRIVER WATTAGE

Connecting Fixtures:

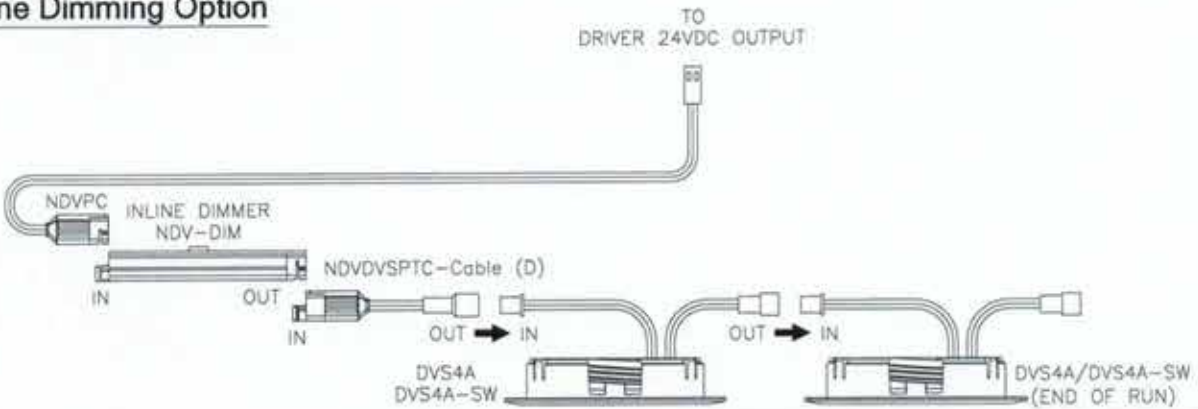
Multiple Runs



Continuous Runs

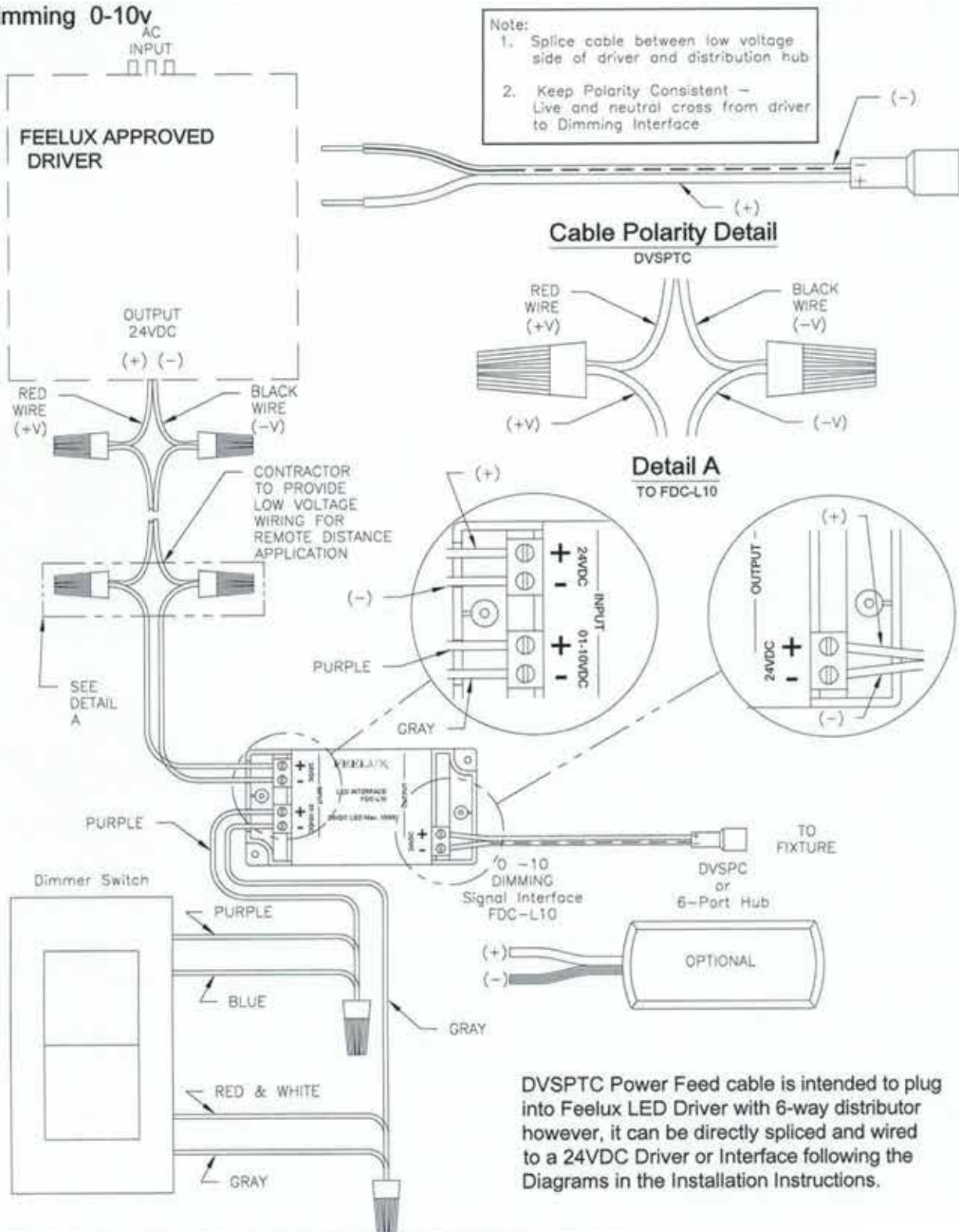


Inline Dimming Option

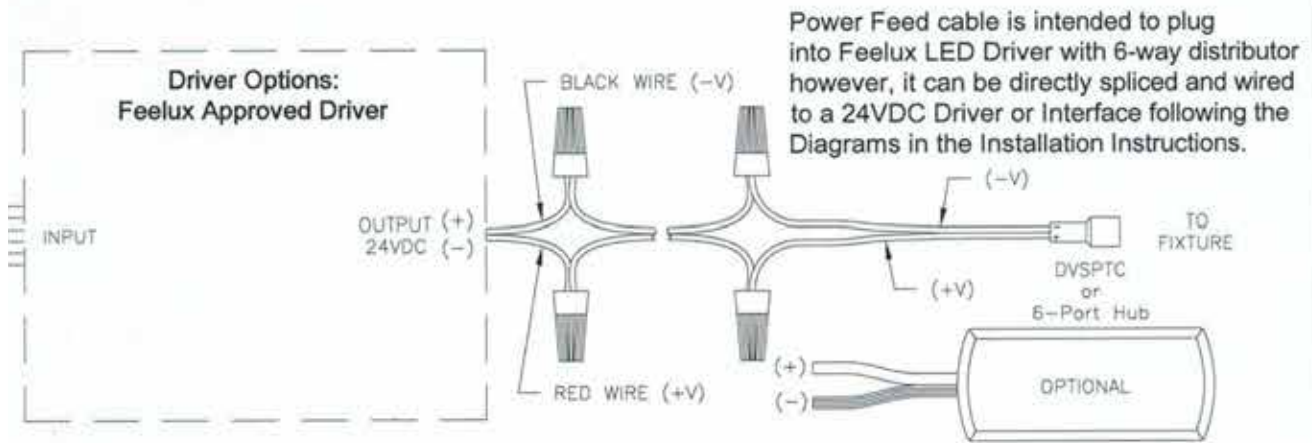


CAUTION: TOTAL CONNECTED FIXTURES WATTAGE NOT TO EXCEED DRIVER WATTAGE

Dimming 0-10v



Driver and Fixture Installation, ON - OFF, Phase Dimming



FEELUX XLAV80-124V-SSB provide ELV AND MLV Dimming options
 Justin Transformers dim via MLV
 Please consult Feelux Lighting for other options

Feelux Voltage Drop Chart

Feelux FLX Stix 24V Products: Maximum Distance per Wire AWG

Driver	18 AWG	16 AWG	14 AWG	12 AWG
--------	--------	--------	--------	--------

Feelux Cord and Plug Drivers

FLC30-24V/XL	12'	15'	20'	20'
FLC75-24V/XL	12'	15'	20'	20'

Approved Remote Mounted Drivers and Transformers

XLD75-124V-FC	25'	50'	75'	100'
XLD200-224V-FCL-DIM	25'	50'	75'	100'
XLAV80(L)-124V-SSB	25'	50'	75'	100'
Justin	25'	50'	75'	100'
Other Approved Units	25'	50'	75'	100'

* NOTE: Before attempting to install or use fixtures, read and understand the installation instructions and safety labels. If you have any questions, please contact Feelux Lighting Technical Support at 678.668.7005 ext. 113. Feelux products must be installed by a qualified electrician in accordance with all national and local electrical and construction codes and regulations.