

SPECIFICATIONS TABLE

Model Number	Color Temperature	Luminous Flux (Full Brightness)	Lumen/W	
FN360 24K-24V-C90-1M	2400K	160 lm/ft	10W/m (3W/ft)	
FN360 27K-24V-C90-1M	2700K	158 lm/ft		
FN360 30K-24V-C90-1M	3000K	161 lm/ft		
FN360 35K-24V-C90-1M	3500K	183 lm/ft		
FN360 40K-24V-C90-1M	4000K	170 lm/ft		
FN360 50K-24V-C90-1M	5000K	184 lm/ft		
FN360 60K-24V-C90-1M	6000K	179 lm/ft		
FN360 SD-24V-C90-1M	2700K-5000K	158 lm/ft		
FN360 RGB-24V-1M	Red	620-625nm		75 lm/ft
	Green	515-525nm		153 lm/ft
	Blue	460-465nm	34 lm/ft	

PRODUCT FEATURES

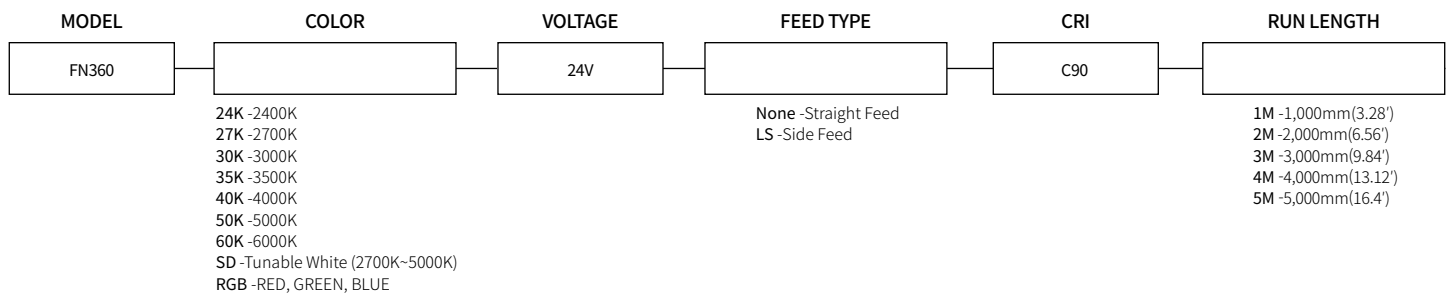
- 360° degree Illumination Decorative Lighting
- Special coated silicon material for dust-free
- Bend-All Directions
- Field Cuttable 50mm(1.97")
- Available in Standard Lengths of 1,2,3,4,5M Reels
- IP65 for Interior and Exterior Applications
- Dim - 0-10V, DMX, DALI
- Tunable, RGB available

PRODUCT SPECIFICATIONS

IP Rate	IP65
Lamp Power	10W/m(3W/ft)
Power Input	24V DC
Color Rendering	Ra>90
Operating Temperature Ranges	-25°C to +45°C(-13°F to 140°F)
Maximum Length	5M(16.4ft)
Dimension	Ø25mm (Ø0.98")
Cuttable	50mm (1.97")
Minimum bending Diameter	200mm (7.87")
Material	Silicon
Beam Angle	360°

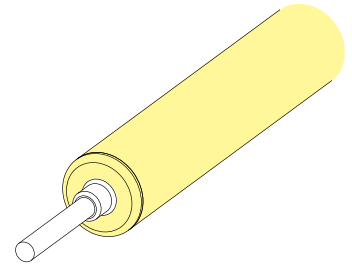
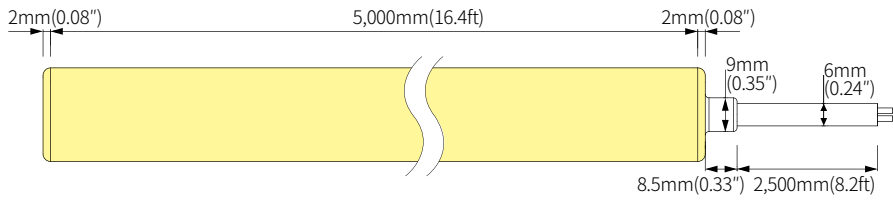


SPECIFICATION GUIDE

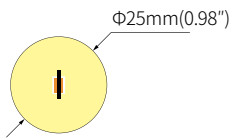
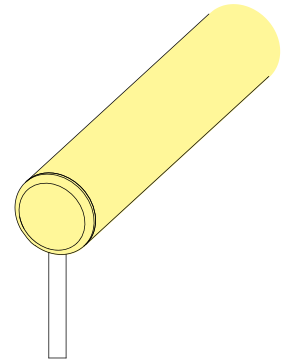
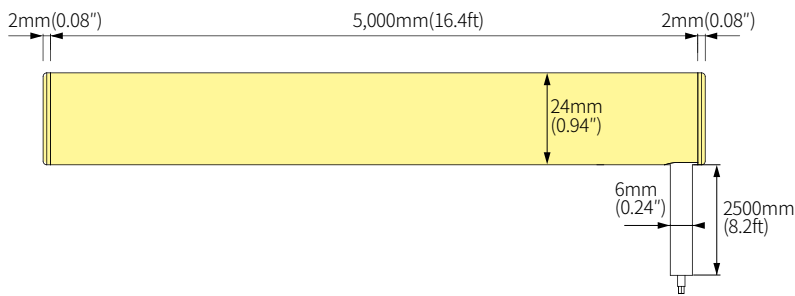


Dimension

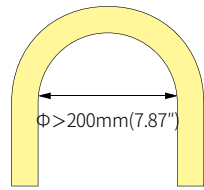
Straight Feed



Side Feed



Diameter



Minimum bending diameter

Installation Accessories



1. FN360-BRACKET1
(Mounting Bracket-4pcs/1set)



2. FN360-EXL
(Mounting Extrusion)
· FN360-EXL : 1,000mm(3.28ft)



3. FN360-BRACKET1, SK1
(Hanging Bracket)
· FN360-SK1(WIRE) : 1,500mm(4.92ft)



4. FN360-BRACKET1, SK2
(Rigid Hanging Bracket)
· FN360-SK2(Rigid Stem)
: 500~1,000mm(1.64~3.28ft)



5. FN360-EXL, SK1
(Hanging Extrusion)
· FN360-SK1 (WIRE) : 1,500mm(4.92ft)
· FN360-EXL : 1,000mm(3.28ft)



6. FN360-EXL, SK2
(Rigid Hanging Extrusion)
· FN360-SK2(Rigid Stem)
: 500~1,000mm(1.64~3.28ft)
· FN360-EXL: 1,000mm (3.28ft)



7. FN360-SV-PENDANT
(Vertical Surface Mounting)



8. FN360-SU-PENDANT
(Vertical Double Surface Mounting)



9. FN360-V-PENDANT
(Vertical Hanging Mounting)
· FN360-V-PENDANT (WIRE):1,000mm(3.28ft)



10. FN360-CPL2
(Side Feed Connecting)



11. FN360-CPL2-BK
(Side Feed Connecting)



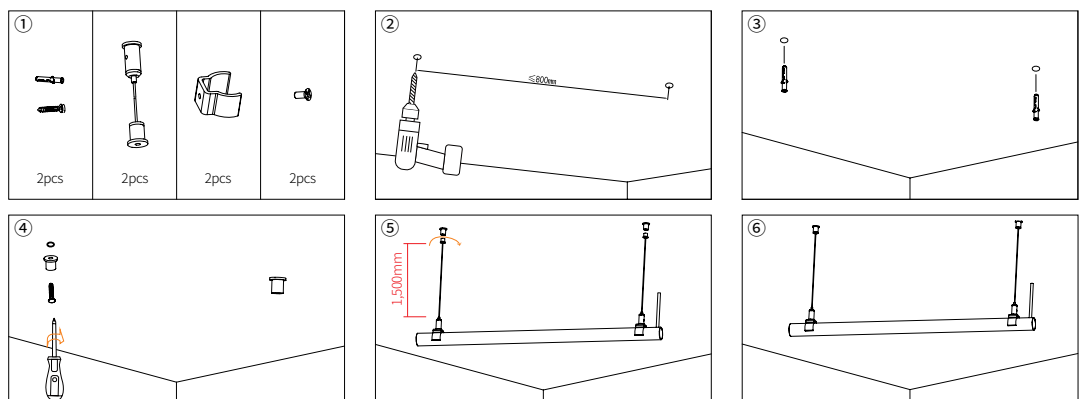
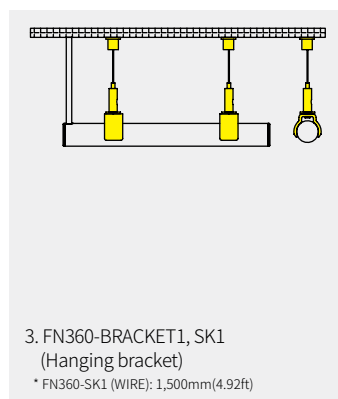
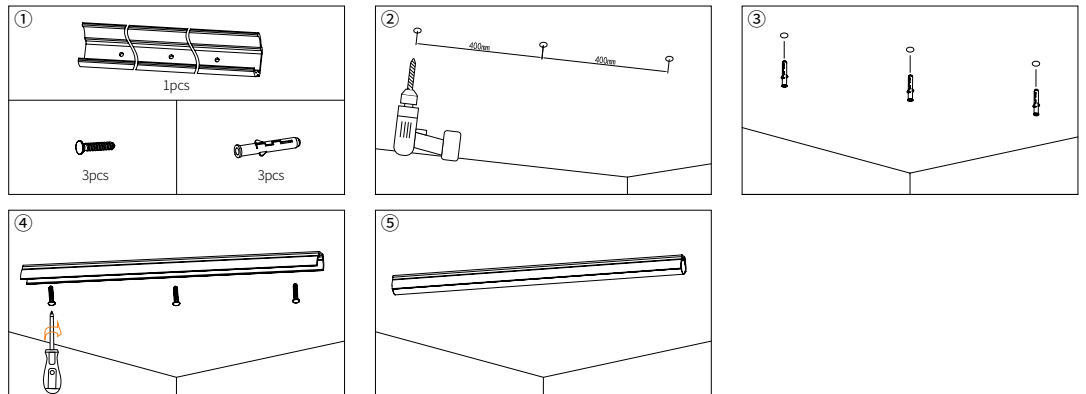
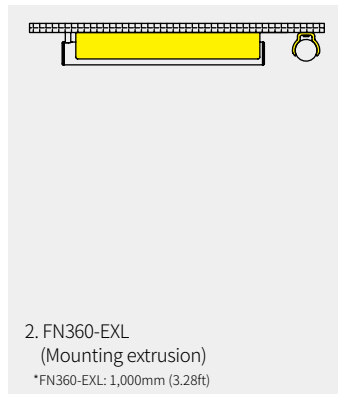
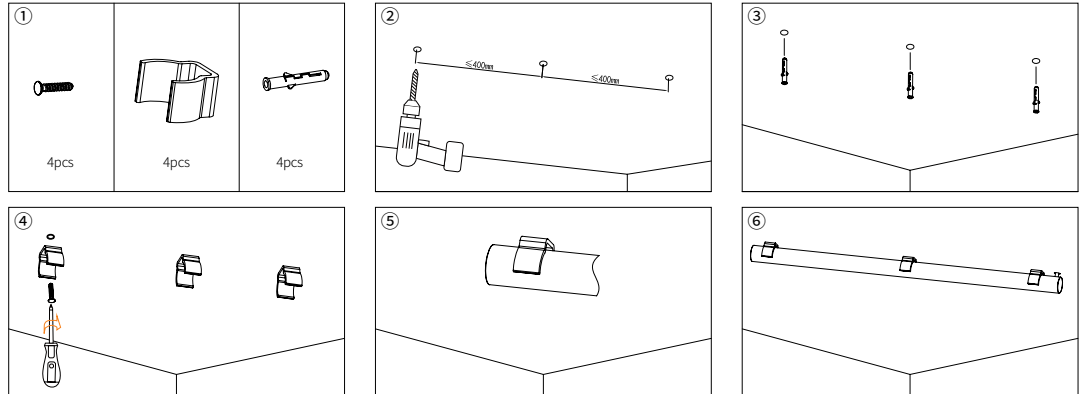
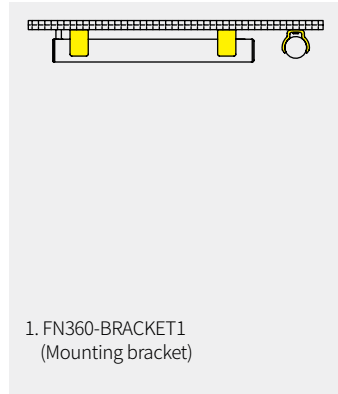
12. FN360-CPL
(End to End Connecting)

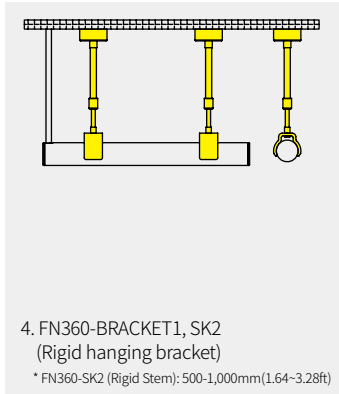


13. FN360-CPL-BK
(End to End Connecting)

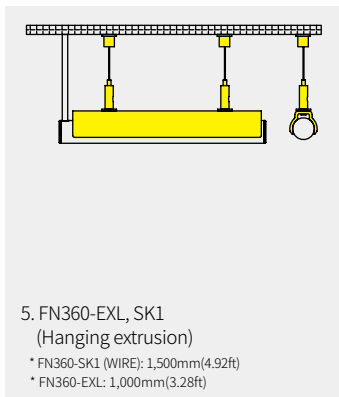
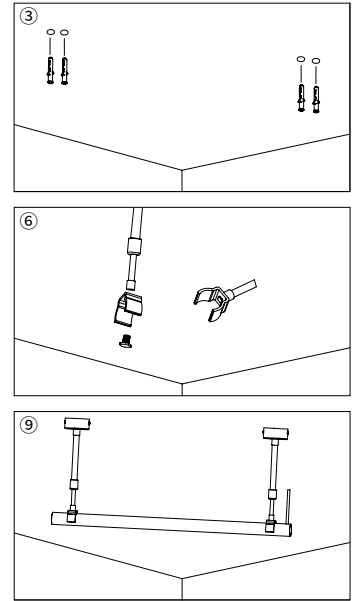
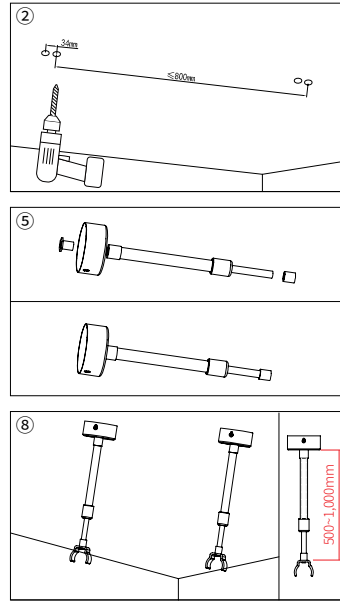
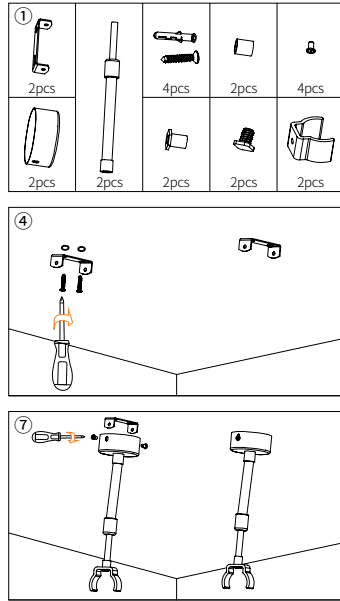
※ For more details, please refer to the installation diagram on the next page

Installation Diagram

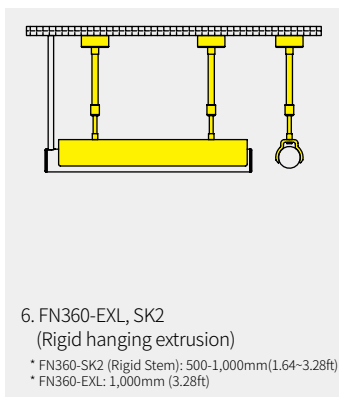
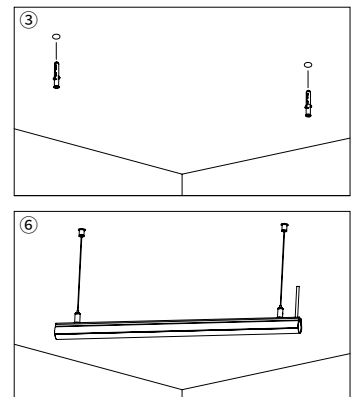
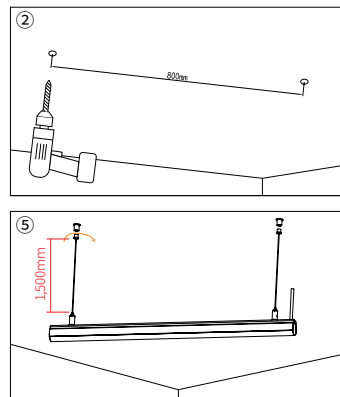
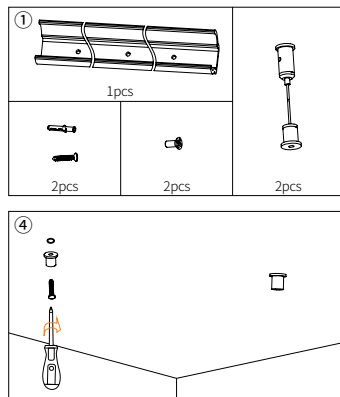




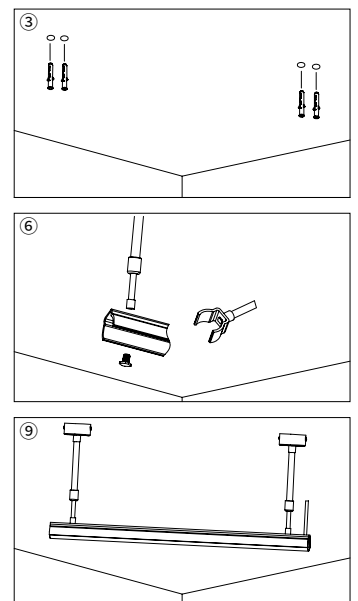
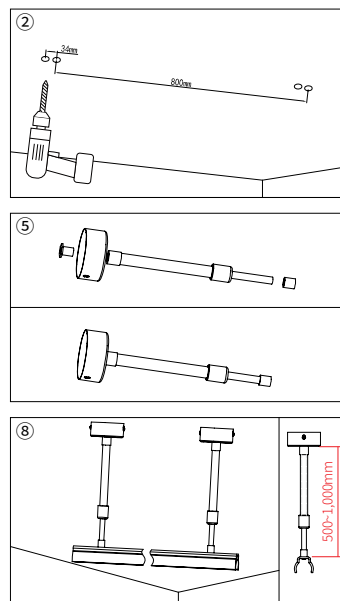
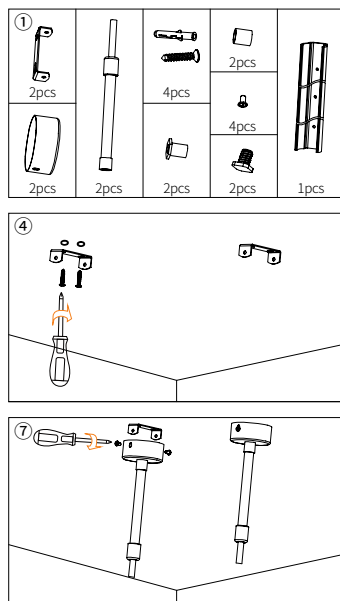
4. FN360-BRACKET1, SK2
(Rigid hanging bracket)
* FN360-SK2 (Rigid Stem): 500-1,000mm(1.64-3.28ft)

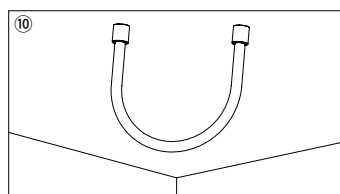
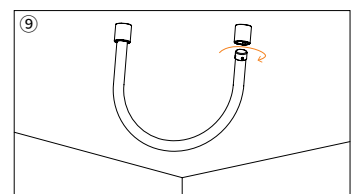
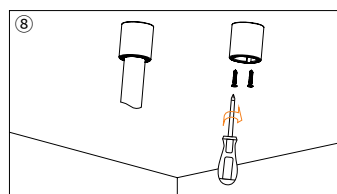
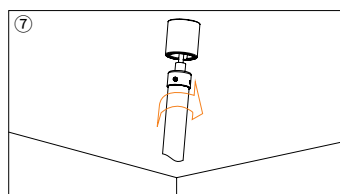
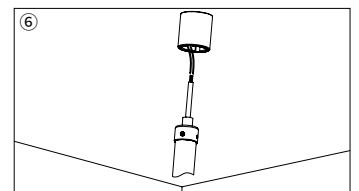
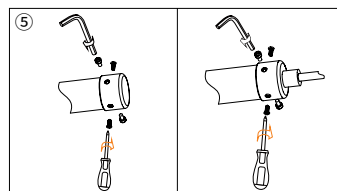
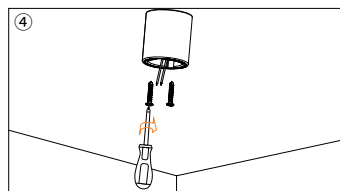
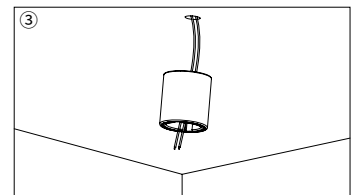
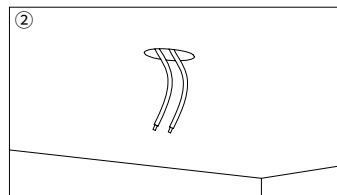
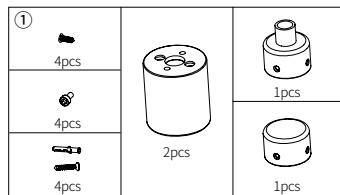
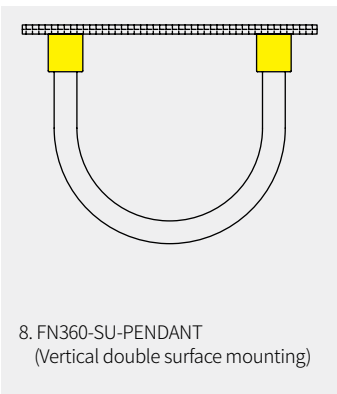
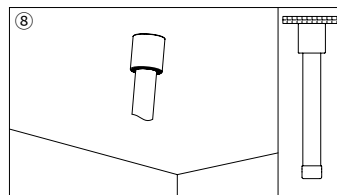
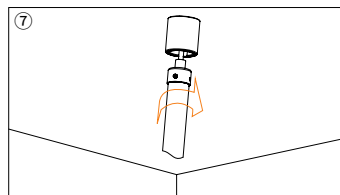
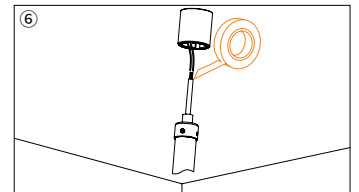
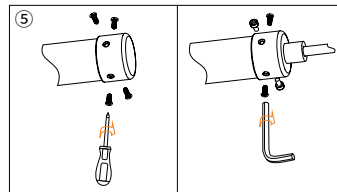
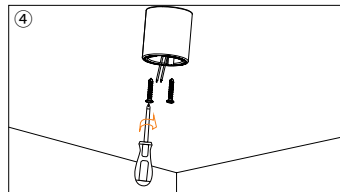
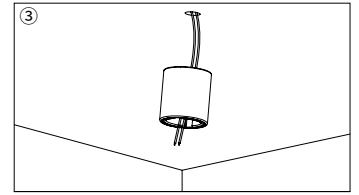
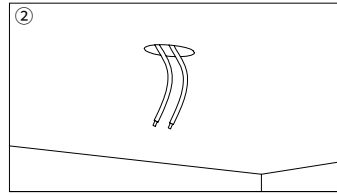
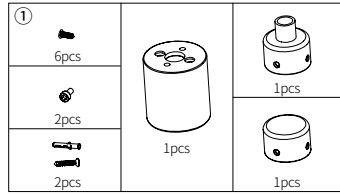
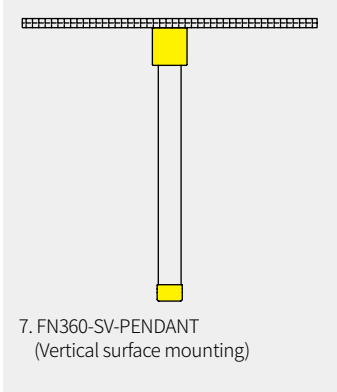


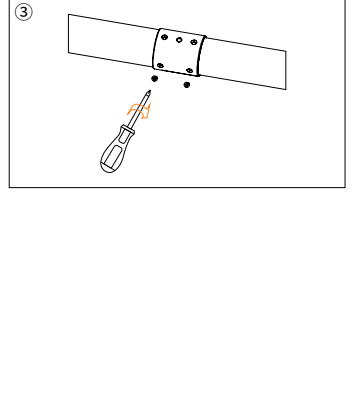
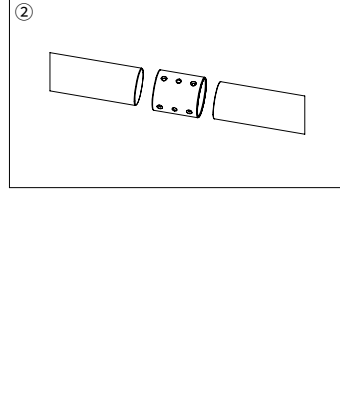
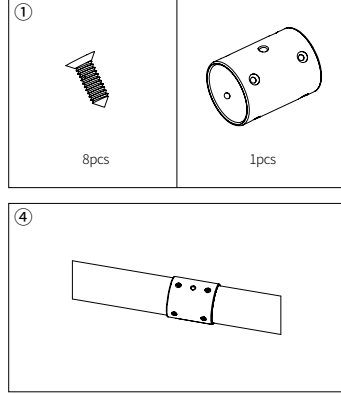
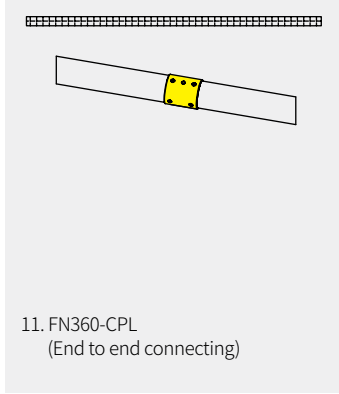
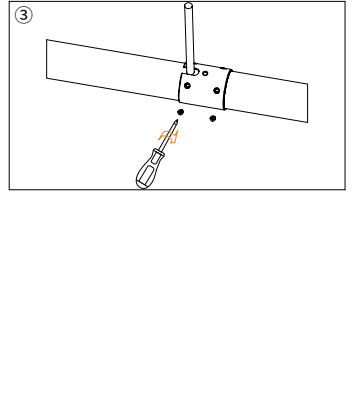
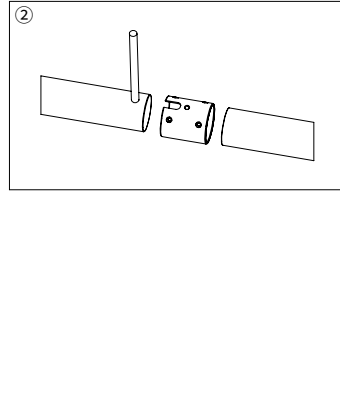
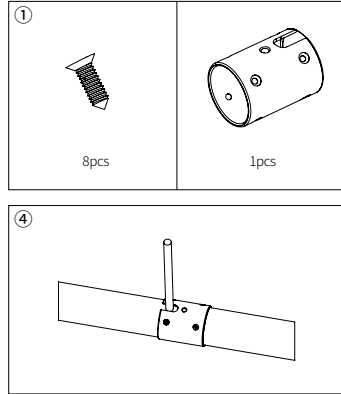
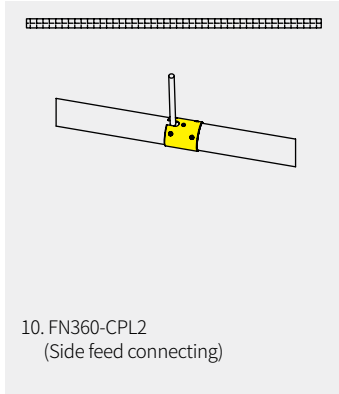
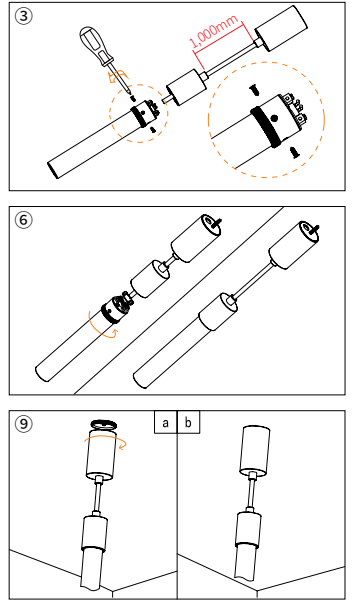
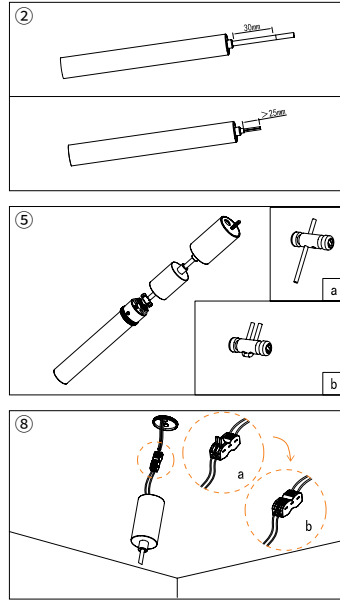
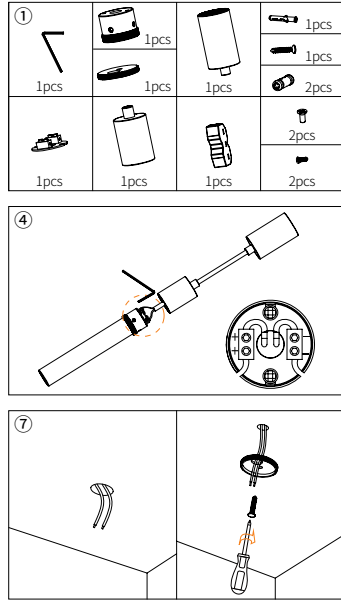
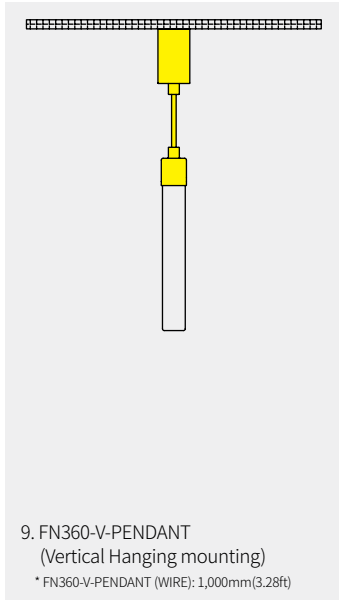
5. FN360-EXL, SK1
(Hanging extrusion)
* FN360-SK1 (WIRE): 1,500mm(4.92ft)
* FN360-EXL: 1,000mm(3.28ft)



6. FN360-EXL, SK2
(Rigid hanging extrusion)
* FN360-SK2 (Rigid Stem): 500-1,000mm(1.64-3.28ft)
* FN360-EXL: 1,000mm (3.28ft)







Components



FLXible Neon 360 Single -Straight Feed

- __FN360 (color)K-24V-C90-5M
- __FN360 (color)K-24V-C90-4M
- __FN360 (color)K-24V-C90-3M
- __FN360 (color)K-24V-C90-2M
- __FN360 (color)K-24V-C90-1M



FLXible Neon 360 Single -Side Feed

- __FN360 (color)K-24V-LS-C90-5M
- __FN360 (color)K-24V-LS-C90-4M
- __FN360 (color)K-24V-LS-C90-3M
- __FN360 (color)K-24V-LS-C90-2M
- __FN360 (color)K-24V-LS-C90-1M



FLXible Neon 360 Dual

- __FN360 SD-24V-1M
- __FN360 SD-24V-2M
- __FN360 SD-24V-3M
- __FN360 SD-24V-4M
- __FN360 SD-24V-5M



FLXible Neon 360 RGB

- __FN360 RGB-24V-1M
- __FN360 RGB-24V-2M
- __FN360 RGB-24V-3M
- __FN360 RGB-24V-4M
- __FN360 RGB-24V-5M



Silicone End cap

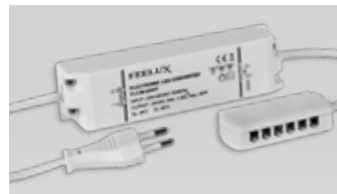
- __FN360-END CAP
- End cap accessory for field cutting
*Order Separately

Additional selection of drivers are available.
Please consult factory.



Driver Junction Box

- __MHWB-FLE



LED Drivers

- __FLC30-24V/XL
 - __FLC75-24V/XL
- With distributor and powercord
1,800mm (6')



Hard Wire Driver

- __XLD200-224V-FCL-DIM
- __XLD75-124V-FC (90V to 300V)



Dimming Interface

- __FDC-L10
- Max. 100W (100W/CH, 1CH) 0 -10V Signal
*Required to Dim FLC and XLD, 0-10V



DMX Interface

- __FDA-L2MO
- (0-10V/1-10V, DMX512)
Max. 200W (100W/CH, 2CH)
 - __FDA-L5M (DMX512)

Max. 200W (50W/CH, 5CH)



DALI Interface

- __FDD-L1DA
- Max. 200W (100W/CH, 1CH)



Dimming Interface (Zigbee)_FDD-L2Z

- __FDD-L2Z



Wireless Control (Zigbee Switch)

- __FSM-Z1

A Larger selection of drivers are available
including remote and hard wire drivers.
Please consult factory.

Accessory Size

