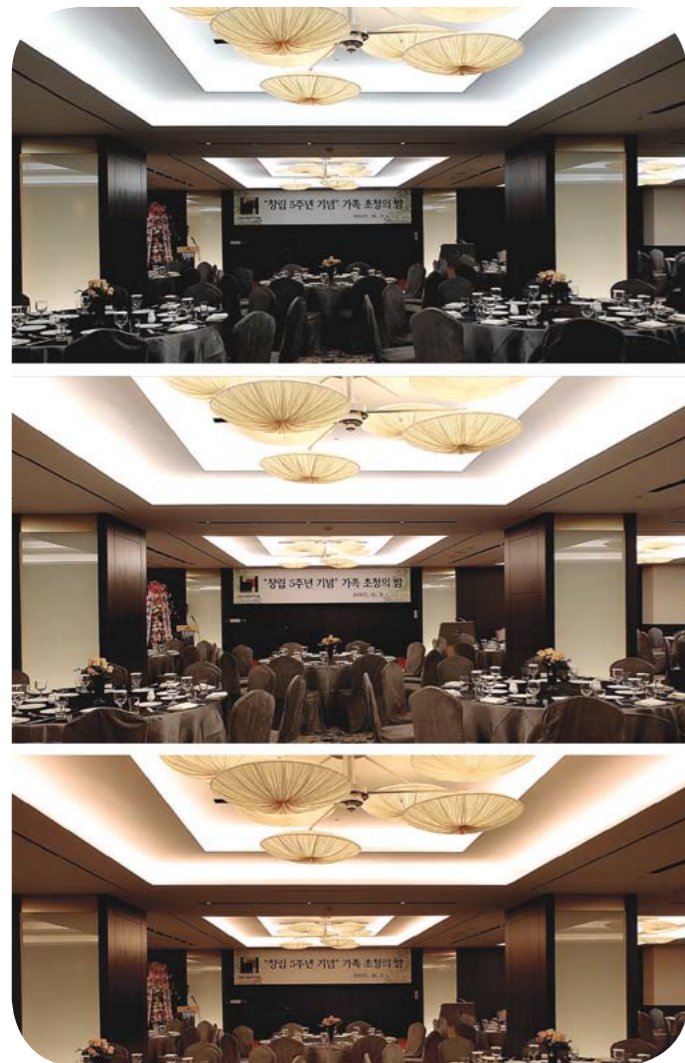
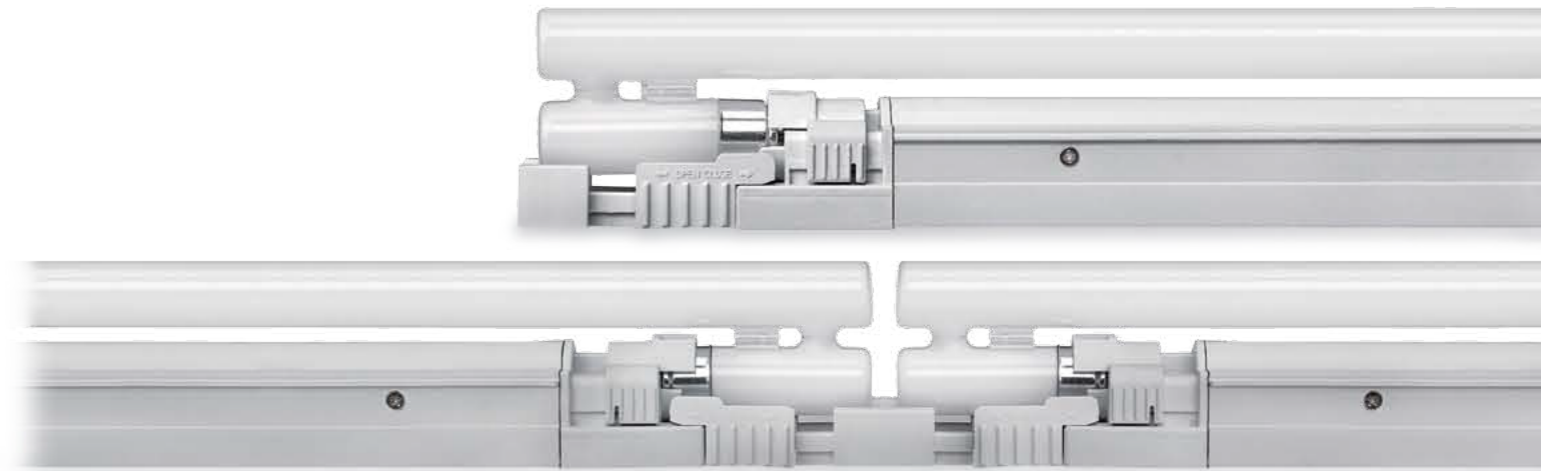
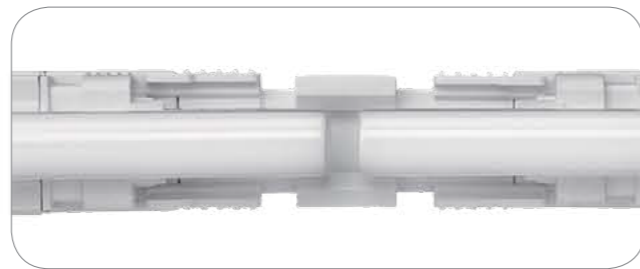


DimSlim Seamless

T5 Seamless Dimmable Illumination



DimSlim Seamless

Add a Sexy Ambiance to your next installation with our Dimmable SlimLine option - DimSlimLine T5. Covers and Curves will be Seamlessly Illuminated with these Award-Winning fluorescent lamps that are placed closer together, to eliminate socket shadows.

Product Features

- High efficiency built-in program start dimming ballast
- 100% to 5% dimming range
- Smooth stable dimming
- End of Lamp life (EOL) protection
- Low profile rigid extruded aluminum body
- Compatible with many dimming signals using signal translator

Benefits

- T5 based seamless line of dimming light
- Energy savings over staggered strips
- Installation savings through quick connection system
- Operates in very tight areas

Specification

- Frequency range : 60Hz
- Voltage : 110~130V
- Power factor : >97%
- Color rendering : Ra>80
- THD : <15%
- Class of protection I
- Degree of protection IP20
- Output protocol : PWM
- Dimming range : 5~100%

Notice

- Max. connection : 10pcs/CH (Dimming signal booster available for a longer length)
- Please refer to Dimming Controller section

Accessories

- ⓐ Connecting cables

SLLPTC/XL	SLLPTC 1/XL	SLLPTC 2/XL	SLLPTC 4/XL	SLLPTC 6/XL
6inch(150mm)	1feet(300mm)	2feet(600mm)	4feet(1200mm)	6feet(1800mm)
- ⓑ Direct connector : SLLCPL/XL
- ⓒ Connecting cables between fixture Hard wire box

DSL SLLPTC/XL	DSL SLLPTC1/XL	DSL SLLPTC2/XL	DSL SLLPTC4/XL	DSL SLLPTC6/XL
6inch(150mm)	1feet(300mm)	2feet(600mm)	4feet(1200mm)	6feet(1800mm)
- ⓓ Metal Hard wire box w/knockouts : MHWB-DSL
- ⓔ End Cap : SLL- OUTLET CAP
- ⓕ Fluorescent lamps

2200K, 2700K, 3000K, 3500K, 4000K, 6500K, 8000K, Red, Green and Blue are available.
- ⓖ Metal Bracket : MSLL BRACKET
- ⓓ Diffuser

SLL14CV	SLL21CV	SLL28CV
14, 24W	21, 39W	28, 54W

- Dimming options
 - ① Dimming controller
 - ② Interface (0~10V, 1~10V, Phase to PWM)

Model Name	Lamp Power (W)	A (inch)	B (inch)	C (inch)	D (inch)	E (inch)
DSLL14-120V	14	22 7/8	19 6/8	1 6/8	1 1/16	1 5/8
DSLL21-120V	21	34 11/16	31 5/8	1 6/8	1 1/16	1 5/8
DSLL28-120V	28	46 4/8	43 3/8	1 6/8	1 1/16	1 5/8

