

Please open all cartons immediately to ensure all material is on-site and undamaged.
Any claims must be filed within 15 days of receipt of product.

Please read all assembly and installation instructions of Feelux products

1. Before attempting to install or use fixture read, read and understand the following installation instructions and safety labels.
2. If you have any questions, please contact Feelux Lighting Technical Support at:
(678)668 7005 ext. 113 or techsupport@feeluxlighting.com
3. Feelux product must be installed by a licensed electrician in accordance with all National and Local Electrical and Construction Codes and Regulations.
4. Verify electrical plan.
5. Ensure the main power supply is off before installing or wiring fixtures.
6. Do not install a fixture if the unit, lens, housing or power cables are damaged.
7. Fixtures do not have serviceable parts.
8. Do not use a fixture or driver for any voltage for which it is not rated.
9. Do not exceed the specified voltage, current or wattage for any fixture or driver
10. Feelux Lighting FLX Stix complies with Part 15 of the FCC rules. Class B Digital Apparatus complies with Canadian ICES-003.
11. Feelux FLX Stix ODV fixtures rated IP66.
12. Confirm that Driver/Transformer is compatible with fixtures and proposed dimming control system.
13. IMPORTANT NOTE – FLX STIX ODV REQUIRES A POWER FEED AT EVERY 75W.

Feelux Lighting FLX Stix ODV Installation Instructions

1. Feelux FLX Stix ODV product requires a power feed for every 75W.
 - a. ODV fixture are design for continuous, uninterrupted of lighting.
2. Splicing: ODVPC Power Cables are 8'.
 - a. If remote mount driver/power option is used
 1. Contractor to provide low voltage wire from driver/transformer to Power Cable.
 - b. Contractor must test for 24V signal at all splice points.
 - c. Polarity must be followed and is:

Lead: Red – Positive	Lead: White - Positive
Lead: Black – Negative	Lead: Green - Negative
3. Feelux PTC Connecting Cables (Jumpers) cannot be modified.

CAUTION: DO NOT EXCEED RATED WATTAGE OF PRODUCT OR DRIVER AT ANY TIME

Approved Drivers and Transformer

The Drivers and Transformers listed below are approved for the Feelux FLX Stix Series:

- Feelux FLC, FLE, XLD and XLAV Series Drivers
- Meanwell
- Lutron
- Justin and Q-Tran: Please check with factory for availability.
 - *Please note when dimming that DC + Cap is required.
- Please consult Feelux for additional power supply, driver and transformer options.

Please note that for FLC and XLD75, the FDC-L10 dimming interface is required. Please check with Feelux Lighting for additional Driver/Power Supply options. Using unapproved Driver/Power Supply may void warranty.

*XLD & XLAV driver are ip65 rated

Tips

1. Make certain all surfaces are free of dirt and debris prior to installation.
2. Aline fixtures firmly end to end for continuous lighting.
3. Make sure fixture connections point are snap in together.
4. Use mounting brackets for proper alignment.
5. After installation remove/blow off all construction dust and debris.
6. Fixtures must be protected from paint and paint splatter.

Troubleshooting

1. Check electrical and mechanical connections points.
2. Is the connected fixture over the maximum wattage/maximum run length?
3. Is the wattage exceeded for the driver?
4. Verify that polarity was followed if power cord spliced.
5. Check for voltage drop.
6. Is the correct driver being used for the dimming control?

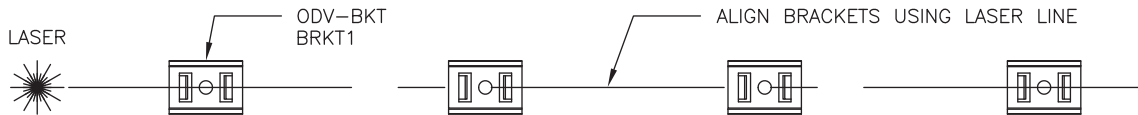
CAUTION: DO NOT EXCEED RATED WATTAGE OF PRODUCT OR DRIVER AT ANY TIME

Mounting and Mounting Hardware

FLX Stix Series are shipped with Standard Mounting Brackets.

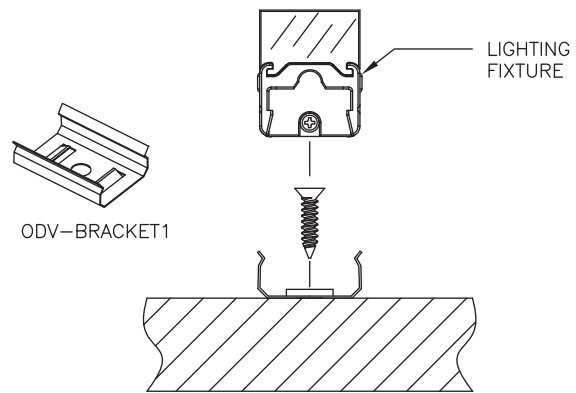
Brackets are to be installed with 2" from ends of the unit to support the junction point. For fixture units of 24" or longer, install a 3rd bracket near the center.

Align all brackets using laser line



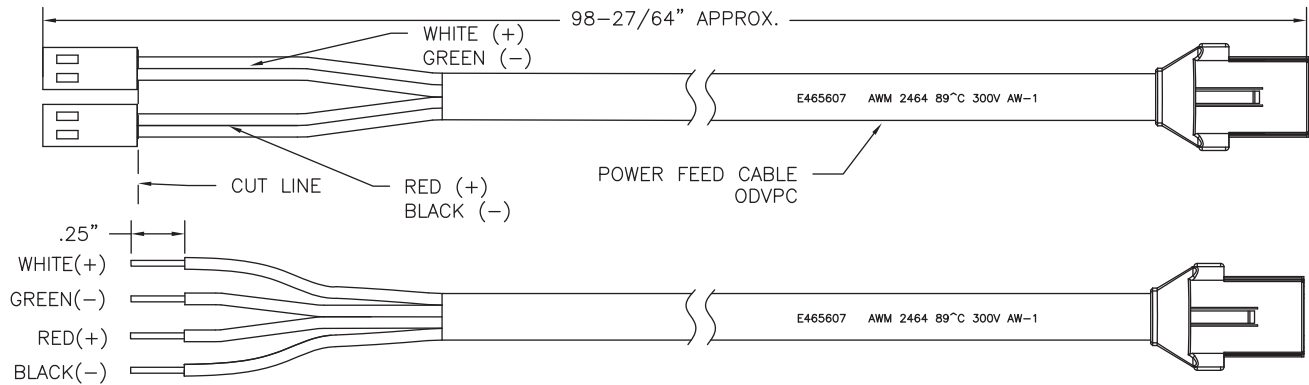
Standard Mounting:

1. Assemble fixtures
2. Align / Install Brackets using laser line
3. Snap fixtures into brackets



DRIVERS & ACCESSORIES

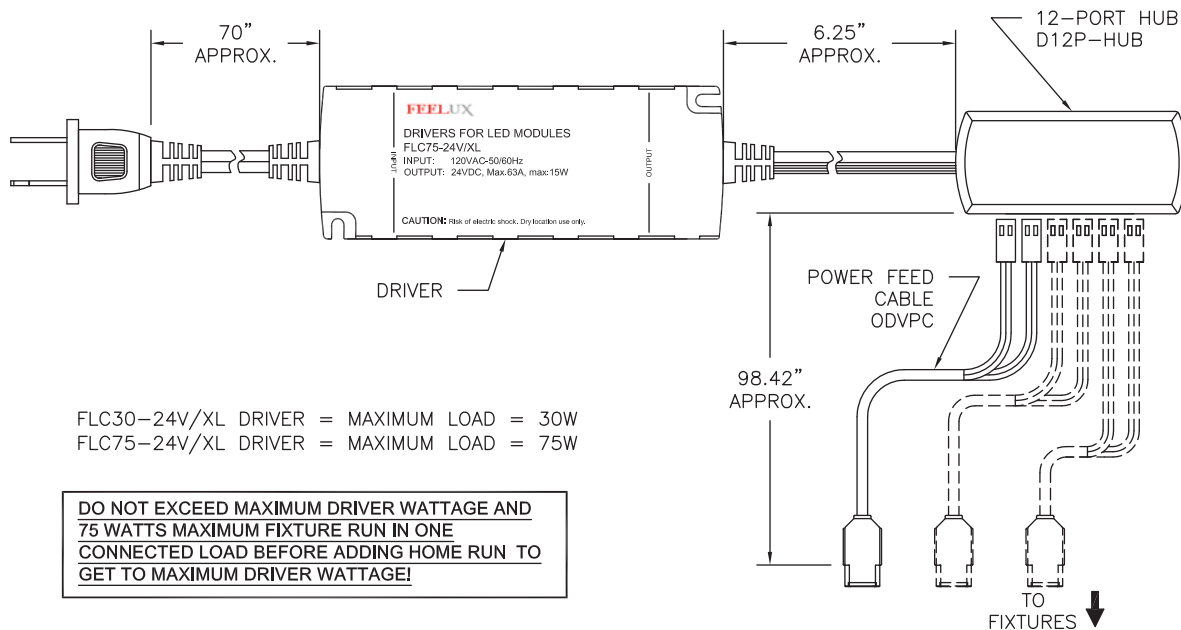
ODVPC Power Feed Cable Modification



1. CUT POWER FEED CABLE, ODVPC BEHIND CONNECTOR AS SHOWN.
2. STRIP BACK POWER FEED CABLE, ODVPC TO APPROX. .25 INCHES.
3. POLARITY MUST BE FOLLOWED:

Lead: White – Positive	Lead: Red – Positive
Lead: Green – Negative	Lead: Black – Negative

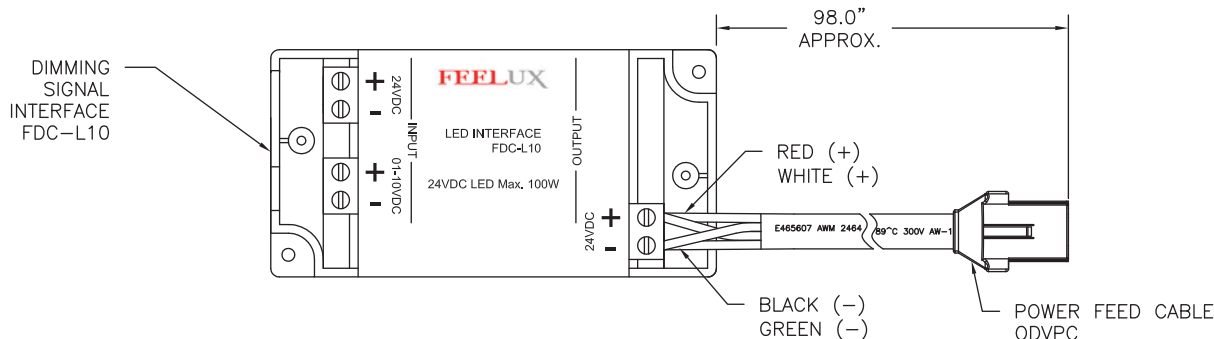
FEELUX Driver FLCXX-24V/XL Driver & 12-Port Hub Standard Install



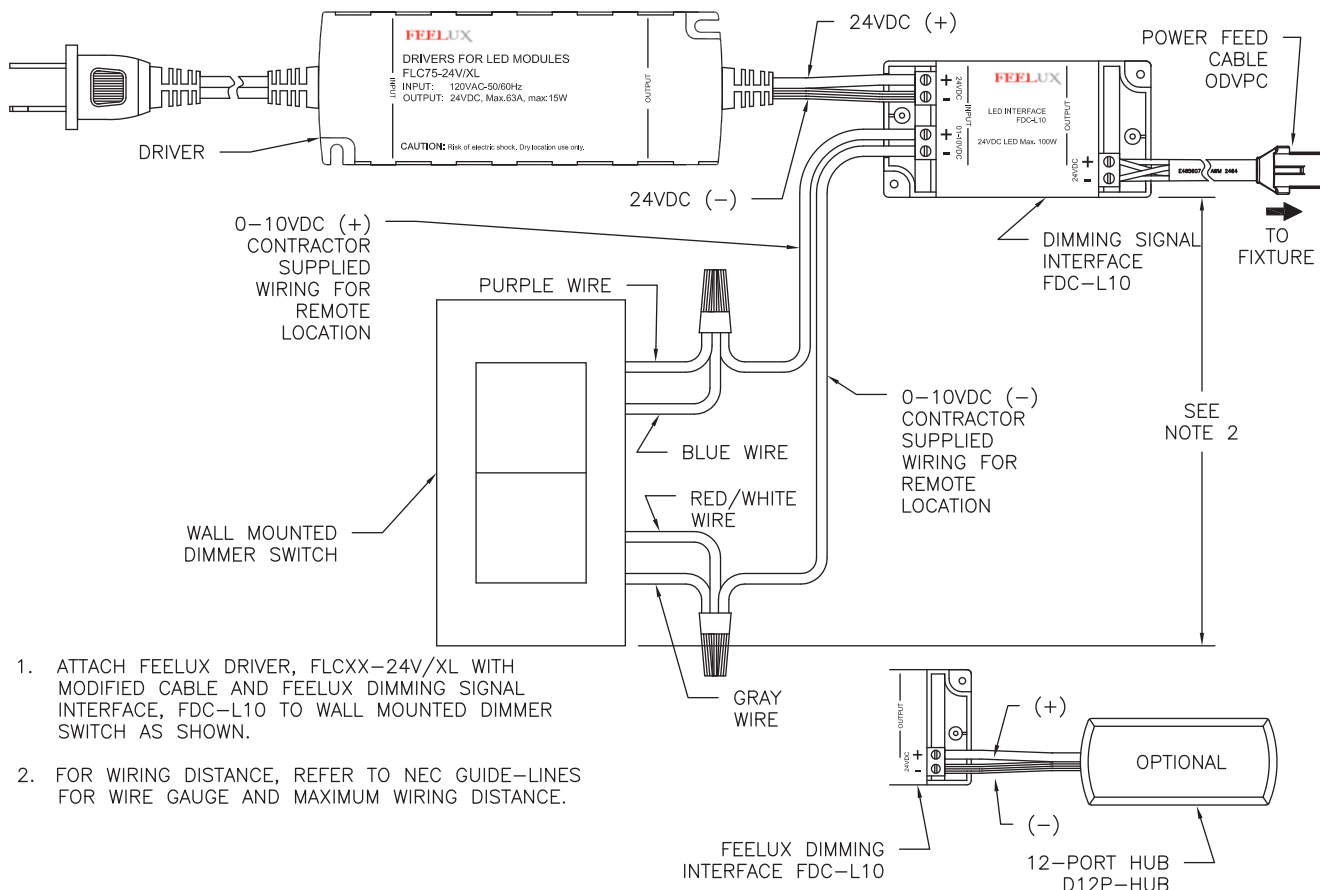
FLC30-24V/XL DRIVER = MAXIMUM LOAD = 30W
 FLC75-24V/XL DRIVER = MAXIMUM LOAD = 75W

DIMMING: FDC-L10 Dimming Interface is required for FLC30, FLC75 and XLD75. Dimming is 0-10V

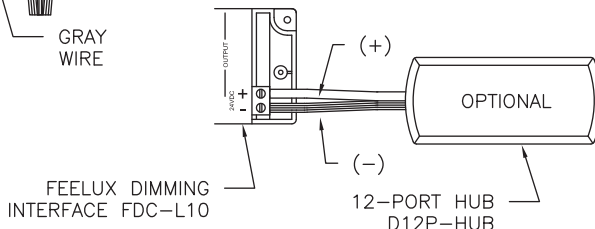
Wiring FEELUX Dimming Signal Interface, FDC-L10 to Power Feed Cable, ODVPC



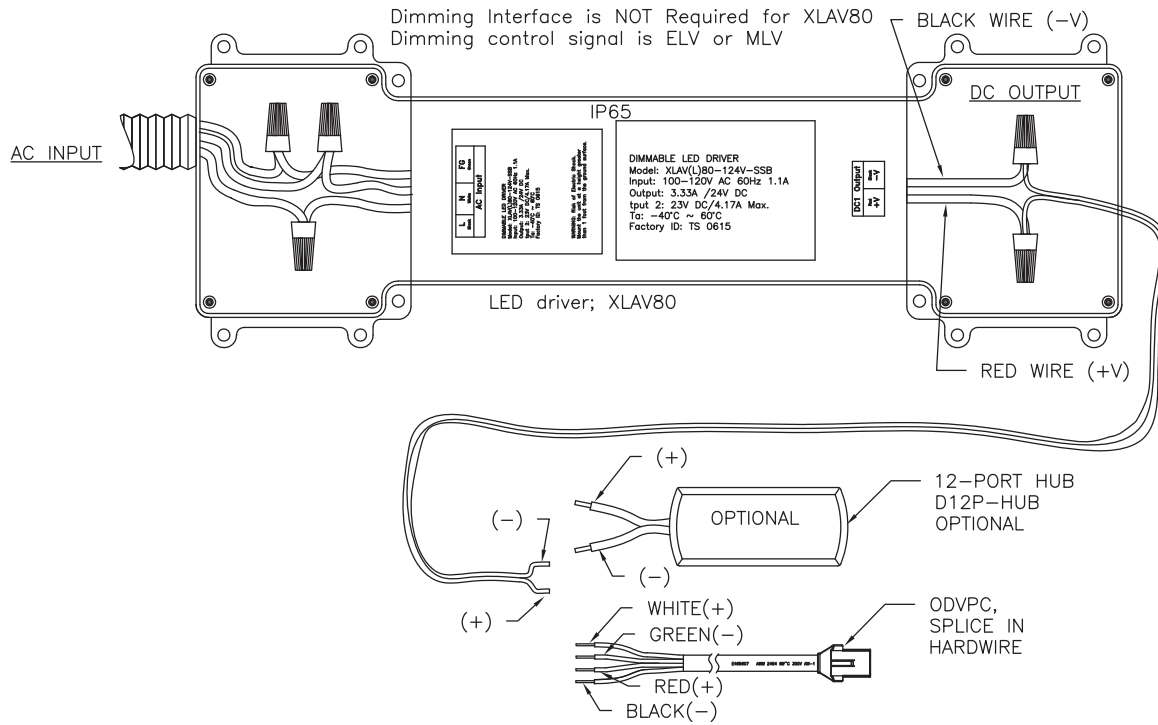
Wiring FEELUX Driver, Dimming Signal Interface FDC-L10 and Power Feed Cable, ODVPC to Wall Mounted Dimmer Switch



1. ATTACH FEELUX DRIVER, FLCXX-24V/XL WITH MODIFIED CABLE AND FEELUX DIMMING SIGNAL INTERFACE, FDC-L10 TO WALL MOUNTED DIMMER SWITCH AS SHOWN.
2. FOR WIRING DISTANCE, REFER TO NEC GUIDE-LINES FOR WIRE GAUGE AND MAXIMUM WIRING DISTANCE.

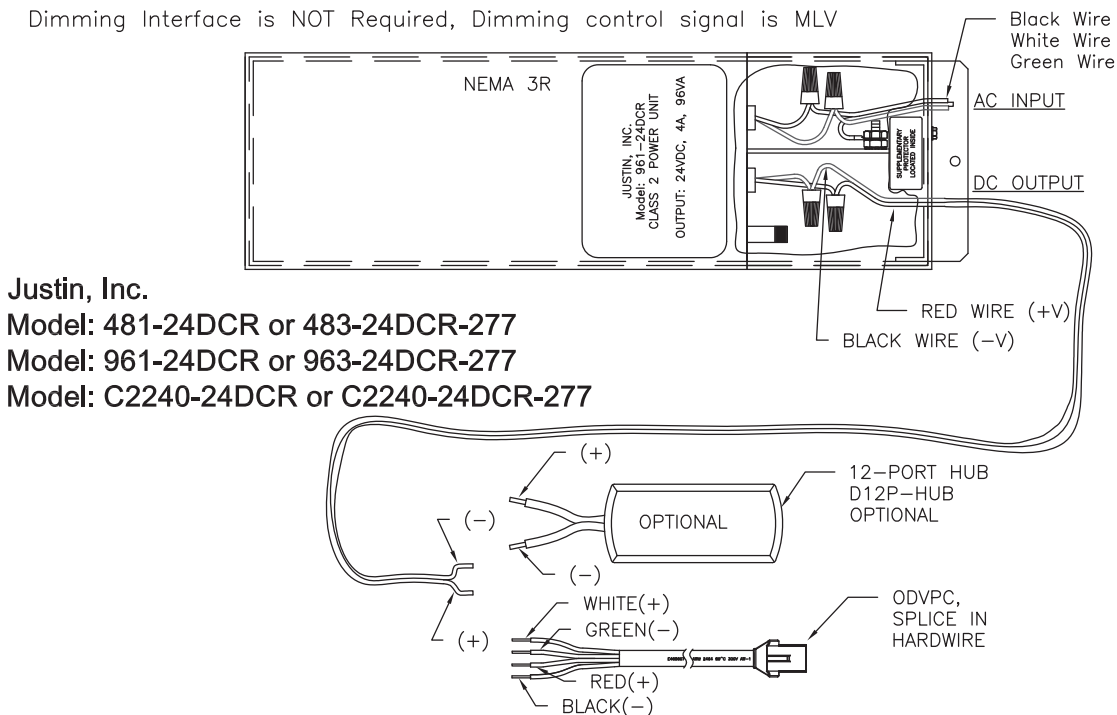


FEELUX XLAV80 Constant Voltage Dimmable LED Driver



FEELUX JUSTIN Dimmable LED Driver, 12-Port HUB and PTC Hardwire

Dimming Interface is NOT Required, Dimming control signal is MLV



Justin, Inc.
Model: 481-24DCR or 483-24DCR-277
Model: 961-24DCR or 963-24DCR-277
Model: C2240-24DCR or C2240-24DCR-277

Feelux Voltage Drop Chart

Feelux FLX Stix 24V Products: Maximum Distance per Wire AWG

Driver	18 AWG	16 AWG	14 AWG	12 AWG
--------	--------	--------	--------	--------

Feelux Cord and Plug Drivers

FLC30-24V/XL	12'	15'	20'	20'
FLC75-24V/XL	12'	15'	20'	20'

Approved Remote Mounted Drivers and Transformers

XLD75-124V-FC	25'	50'	75'	100'
XLD200-224V-FCL-DIM	25'	50'	75'	100'
XLAV80(L)-124V-SSB	25'	50'	75'	100'
Justin	25'	50'	75'	100'
Other Approved Units	25'	50'	75'	100'

* NOTE: Before attempting to install or use fixtures, read and understand the installation instructions and safety labels. If you have any questions, please contact Feelux Lighting Technical Support at 678.668.7005 ext. 113. Feelux products must be installed by a qualified electrician in accordance with all national and local electrical and construction codes and regulations.