

DATE

PROJECT

TYPE



# MonoRail 2

Modular Low Voltage Rail System for Flexibility and Creativity



## PRODUCT FEATURES

- High-end slim linear LED with Spot-free illumination
- Optional Mini Spotlight available with or without Dimming Touch Sensor
- Easy installation with Magnetic rail system
- Surface, Recessed and Pendant mount track options
- Optional illuminated power feed
- Dimmable 0-10V

## PRODUCT SPECIFICATIONS

- Voltage: DC 24V
- Operating Temperature: 32-113°F(0-45°C)
- Lamp Life: 50,000 hrs / 70%
- Available CCTs: 2700K, 3000K, 3500K, 4000K
- Color Rendering Index: CRI > 90
- Finishes: Black, White
- Dimming : 0-10V
- 5 year Warranty

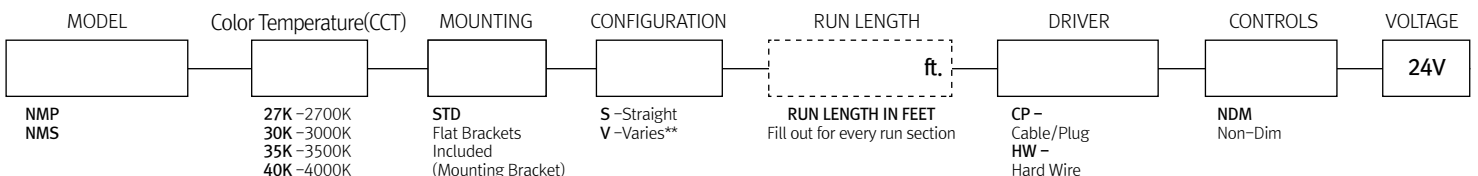
## SPECIFICATION

Performance data shown below for 4000K CCT. Refer to individual luminaire IES files for other CCT options.

Model Name	Power Input	Lamp Power	Luminous Flux	Luminous Efficacy	Color Rendering Index	Color Temperature(CCT)	Beam Angle	Operating Temperature
NMP3 (color)-24V-C90	DC 24V	2.6 W	178.7 lm	69.6 lm/W	CRI > 90	2700K/3000K/3500K/4000K	125°	32-113°F
NMP4 (color)-24V-C90	DC 24V	3.8 W	264.6 lm	68.9 lm/W	CRI > 90	2700K/3000K/3500K/4000K	125°	32-113°F
NMP8 (color)-24V-C90	DC 24V	7.7 W	540.1 lm	70.6 lm/W	CRI > 90	2700K/3000K/3500K/4000K	125°	32-113°F
NMS3 (color)-24V-C90	DC 24V	2.6 W	259.6 lm	100.2 lm/W	CRI > 90	2700K/3000K/3500K/4000K	28°, 40°, 50°	32-113°F
NMS3 (color)-24V-C90-T	DC 24V	2.6 W	259.6 lm	100.2 lm/W	CRI > 90	2700K/3000K/3500K/4000K	28°, 40°, 50°	32-113°F
NMP3 (color)-24V-C90-L134P	DC 24V	2.9 W	211.4 lm	72.8 lm/W	CRI > 90	2700K/3000K/3500K/4000K	125°	32-113°F
NMP5 (color)-24V-C90-CI	DC 24V	5.1 W	305.7 lm	60.1 lm/W	CRI > 90	2700K/3000K/3500K/4000K	-	32-113°F
NMP5 (color)-24V-C90-90	DC 24V	5.1 W	348.8 lm	68.9 lm/W	CRI > 90	2700K/3000K/3500K/4000K	-	32-113°F

## SPECIFICATION GUIDE

NOT TO BE USED FOR ORDERING. The Specification Guide is intended solely to ensure that all options are considered.



\*\*DRAWINGS AND RUN LENGTH MAY BE REQUIRED

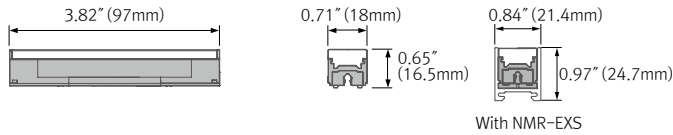
### MonoRail 2 3W



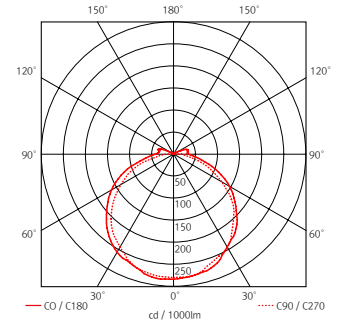
MonoRail 2 3W Length (97mm)

Model Name	Power Input	Lamp Power	Luminous Flux	Luminous Efficacy	Color Rendering Index	Color Temperature(CCT)	Beam Angle	Operating Temperature
NMP3 (color)-24V-C90	DC 24V	2.6 W	178.7 lm	69.6 lm/W	CRI > 90	2700K/3000K/3500K/4000K	125°	32-113°F

Performance data shown above for 4000K CCT. Refer to individual luminaire IES files for other CCT options.



NMP3 40K-24V-C90  
178.7lm, 69.6lm/W



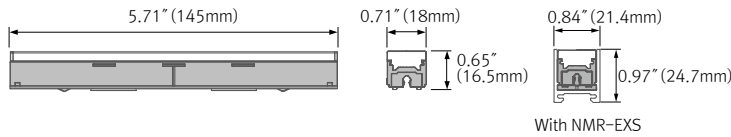
### MonoRail 2 4W



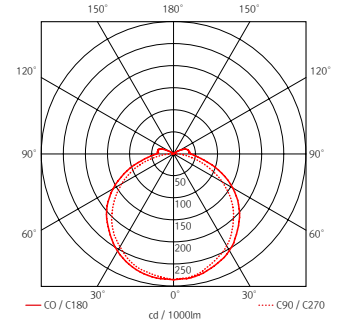
MonoRail 2 4W Length (145mm)

Model Name	Power Input	Lamp Power	Luminous Flux	Luminous Efficacy	Color Rendering Index	Color Temperature(CCT)	Beam Angle	Operating Temperature
NMP4 (color)-24V-C90	DC 24V	3.8 W	264.6 lm	68.9 lm/W	CRI > 90	2700K/3000K/3500K/4000K	125°	32-113°F

Performance data shown above for 4000K CCT. Refer to individual luminaire IES files for other CCT options.



NMP4 40K-24V-C90  
264.6lm, 68.9lm/W



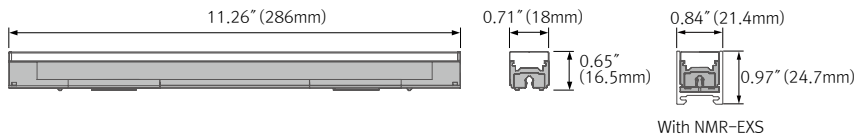
### MonoRail 2 8W



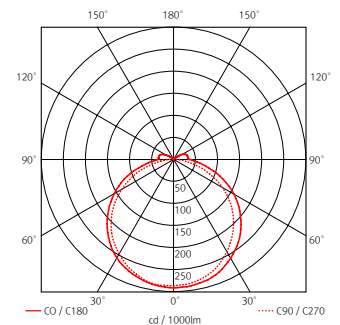
MonoRail 2 8W Length (286mm)

Model Name	Power Input	Lamp Power	Luminous Flux	Luminous Efficacy	Color Rendering Index	Color Temperature(CCT)	Beam Angle	Operating Temperature
NMP8 (color)-24V-C90	DC 24V	7.7 W	540.1 lm	70.6 lm/W	CRI > 90	2700K/3000K/3500K/4000K	125°	32-113°F

Performance data shown above for 4000K CCT. Refer to individual luminaire IES files for other CCT options.



NMP8 40K-24V-C90  
540.1lm, 70.6lm/W

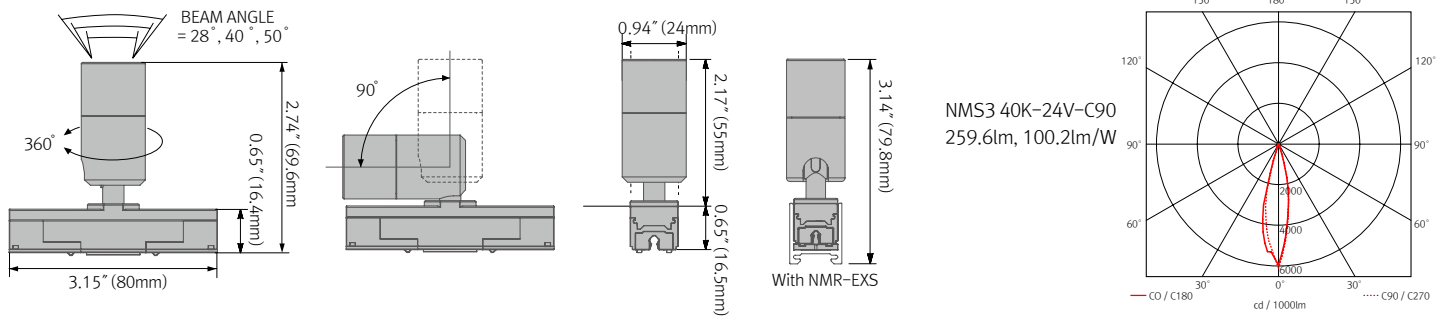


### MonoRail 2 Spot 3W



Model Name	Power Input	Lamp Power	Luminous Flux	Luminous Efficacy	Color Rendering Index	Color Temperature(CCT)	Beam Angle	Operating Temperature
NMS3 (color)-24V-C90	DC 24V	2.6 W	259.6 lm	100.2 lm/W	CRI > 90	2700K/3000K/3500K/4000K	28°, 40°, 50°	32-113°F
NMS3 (color)-24V-C90-T	DC 24V	2.6 W	259.6 lm	100.2 lm/W	CRI > 90	2700K/3000K/3500K/4000K	28°, 40°, 50°	32-113°F

Performance data shown above for 4000K CCT. Refer to individual luminaire IES files for other CCT options.



Beam angle	MonoRail 2 Spot		MonoRail 2 Spot (Touch Dimming)	
	Black	White	Black	White
28°	NMS3 (color)-24V-C90-BK-28	NMS3 (color)-24V-C90-WT-28	NMS3 (color)-24V-C90-T-BK-28	NMS3 (color)-24V-C90-T-WT-28
40°	NMS3 (color)-24V-C90-BK-40	NMS3 (color)-24V-C90-WT-40	NMS3 (color)-24V-C90-T-BK-40	NMS3 (color)-24V-C90-T-WT-40
50°	NMS3 (color)-24V-C90-BK-50	NMS3 (color)-24V-C90-WT-50	NMS3 (color)-24V-C90-T-BK-50	NMS3 (color)-24V-C90-T-WT-50

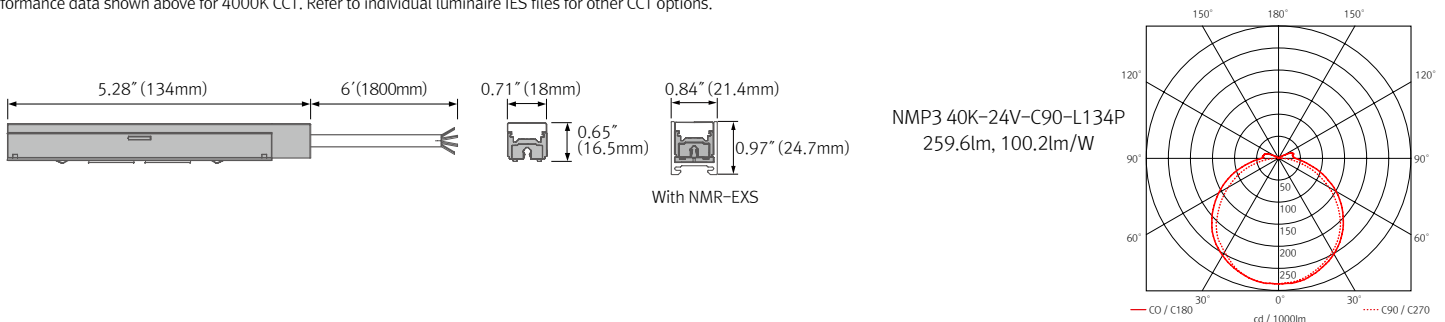
### MonoRail 2 3W-L134P



MonoRail 2 3W Length (134mm)

Model Name	Power Input	Lamp Power	Luminous Flux	Luminous Efficacy	Color Rendering Index	Color Temperature(CCT)	Beam Angle	Operating Temperature
NMP3 (color)-24V-C90-L134P	DC 24V	2.9 W	211.4 lm	72.8 lm/W	CRI > 90	2700K/3000K/3500K/4000K	125°	32-113°F

Performance data shown above for 4000K CCT. Refer to individual luminaire IES files for other CCT options.

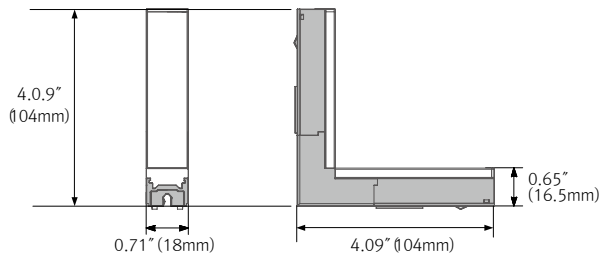


**MonoRail 2 5W Corner In**

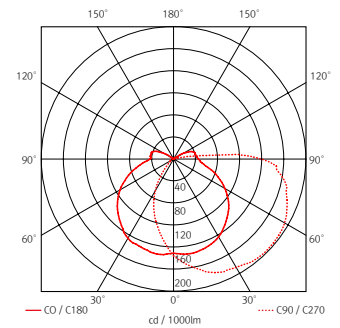


Model Name	Power Input	Lamp Power	Luminous Flux	Luminous Efficacy	Color Rendering Index	Color Temperature(CCT)	Beam Angle	Operating Temperature
NMP5 (color)-24V-C90-CI	DC 24V	5.1 W	305.7 lm	60.1 lm/W	CRI > 90	2700K/3000K/3500K/4000K	-	32-113°F

Performance data shown above for 4000K CCT. Refer to individual luminaire IES files for other CCT options.



NMP5 40K-24V-C90-CI  
305.7lm, 60.1lm/W

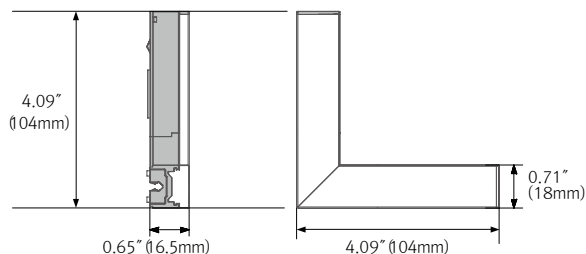


**MonoRail 2 5W 90 Degree**

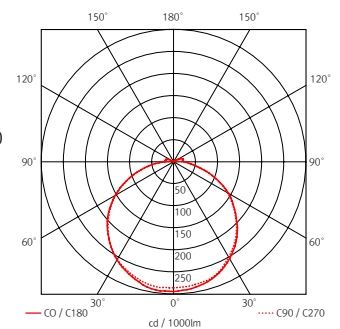


Model Name	Power Input	Lamp Power	Luminous Flux	Luminous Efficacy	Color Rendering Index	Color Temperature(CCT)	Beam Angle	Operating Temperature
NMP5 (color)-24V-C90-90	DC 24V	5.1 W	348.8 lm	68.9 lm/W	CRI > 90	2700K/3000K/3500K/4000K	-	32-113°F

Performance data shown above for 4000K CCT. Refer to individual luminaire IES files for other CCT options.



NMP5 40K-24V-C90-90  
348.8lm, 68.9lm/W



## Extrusion Type

**Surface**

<b>NMP-EXS</b>	<b>NMP-FIX-CAP</b>	<b>NMP-END-CAP</b>	<b>NMP-EXS-CI-CAP</b>	<b>NMP-EXS-90-CAP</b>	<b>NMP-BRACKET</b>	<b>NMP-JOINT BRACKET</b>

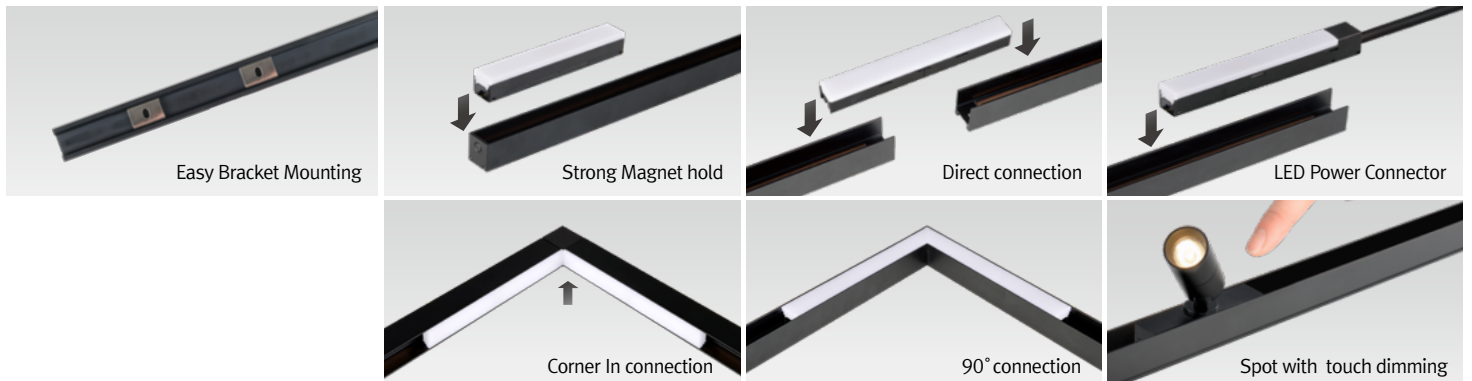
**Recessed**

<b>NMP-EXR</b>	<b>NMP-FIX-CAP</b>	<b>NMP-END-CAP</b>	<b>NMP-BRACKET</b>	<b>NMP-JOINT BRACKET</b>

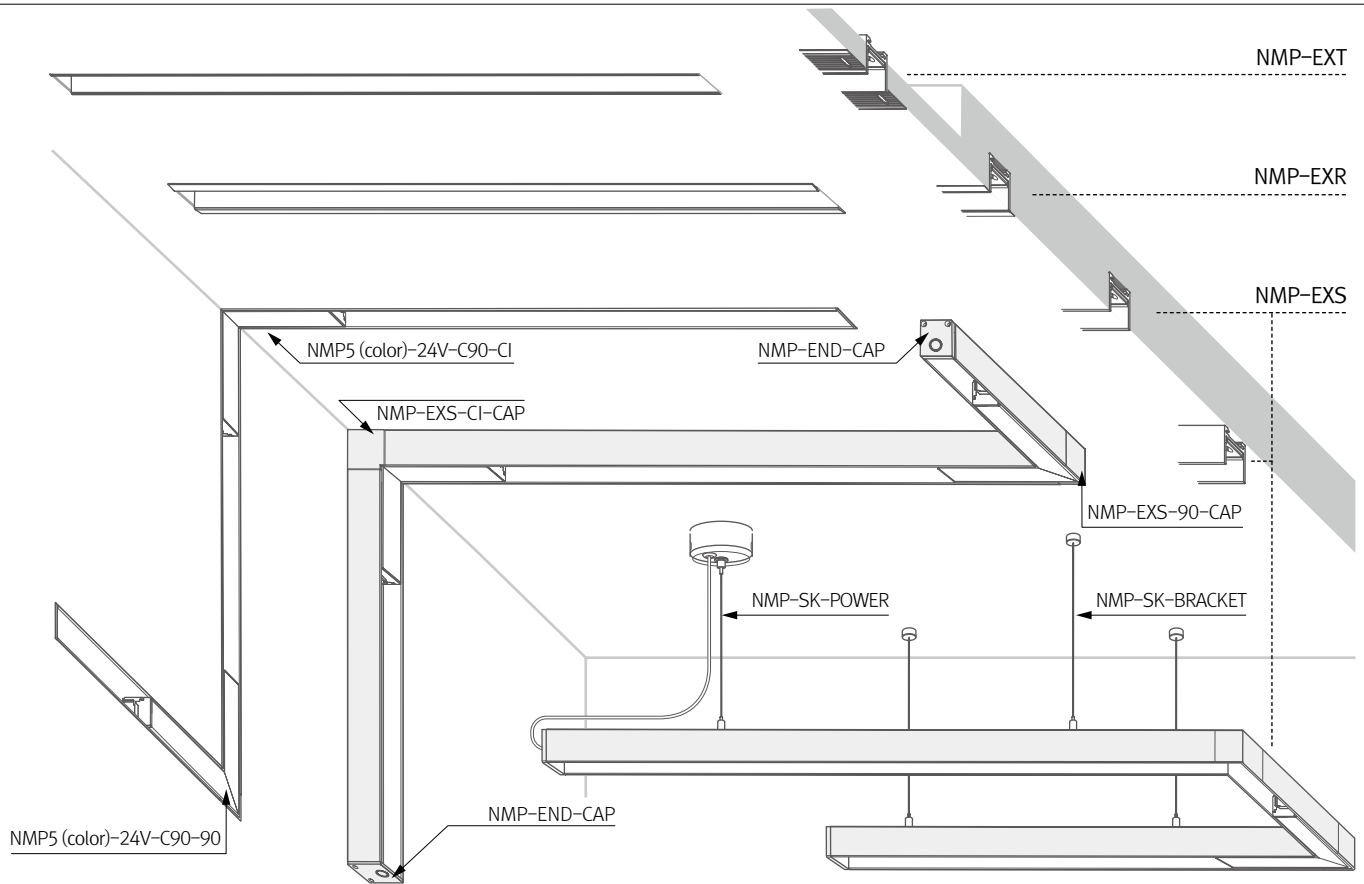
**Trimless**

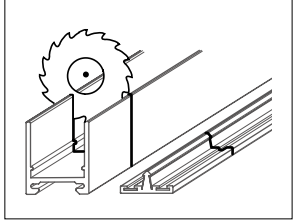
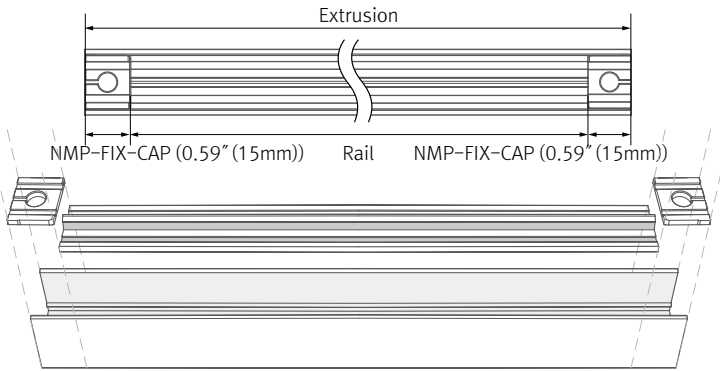
<b>NMP-EXT</b>	<b>NMP-FIX-CAP</b>	<b>NMP-END-CAP</b>	<b>NMP-BRACKET</b>	<b>NMP-JOINT BRACKET</b>

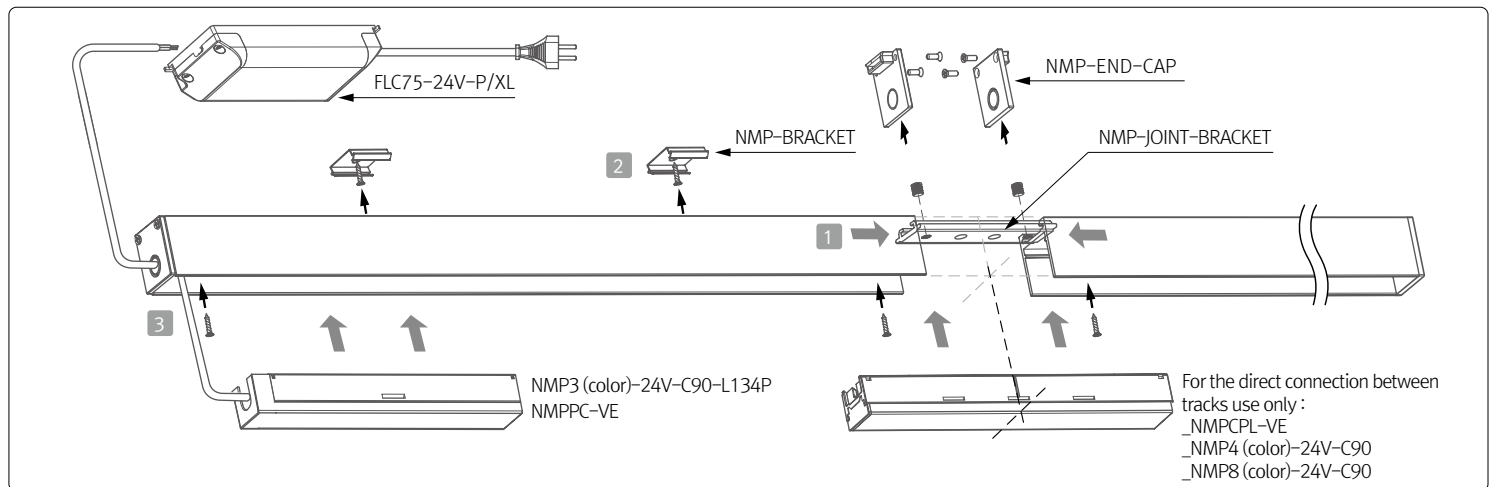
## Various options



## Installation

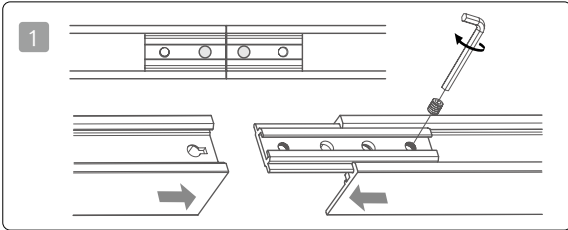


Extrusion length	Cutting extrusions
<p>1.97' (600mm), 3.94' (1200mm), 7.87' (2400mm)</p>	<p><b>⚠ Keep this array: NMP-FIX-CAP / Rail / NMP-FIX-CAP (Rail length+1.18" (30mm) = Track length)</b></p>  



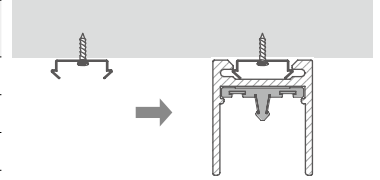


## Installation (continued)

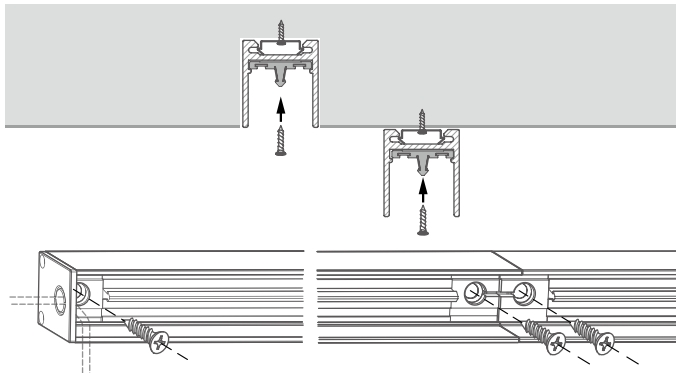


**2** NMP-EXS,EXR-Bracket

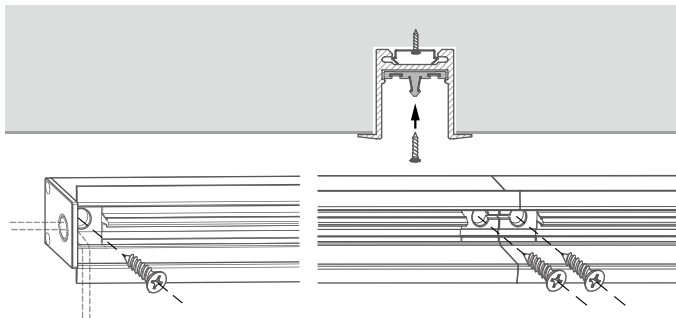
Extrusion	Bracket quantity	Bracket interval
1.97' (600mm)	0EA	-
3.94' (1200mm)	2EA	1.31' (400mm)
7.87' (2400mm)	5EA	1.31' (400mm)



**3**  
NMP-EXS

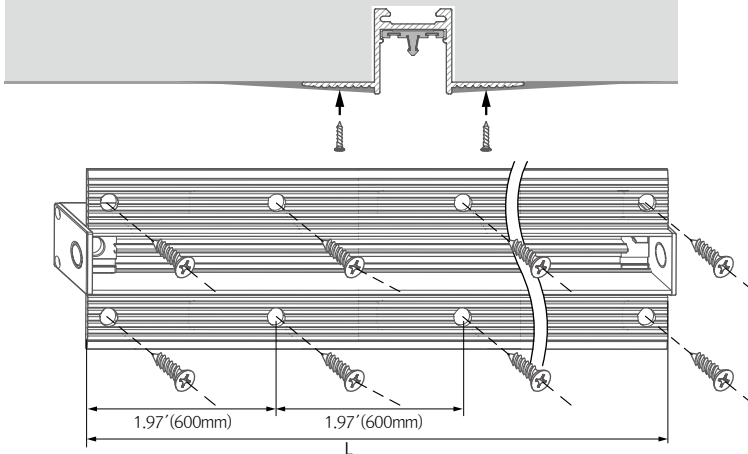


NMP-EXR

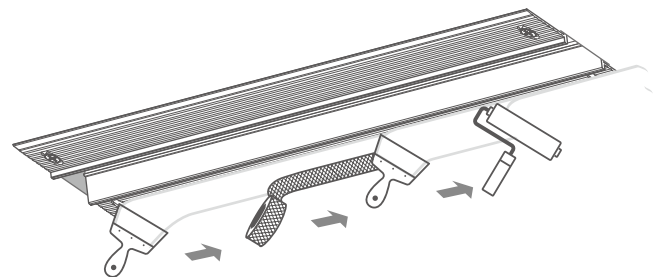
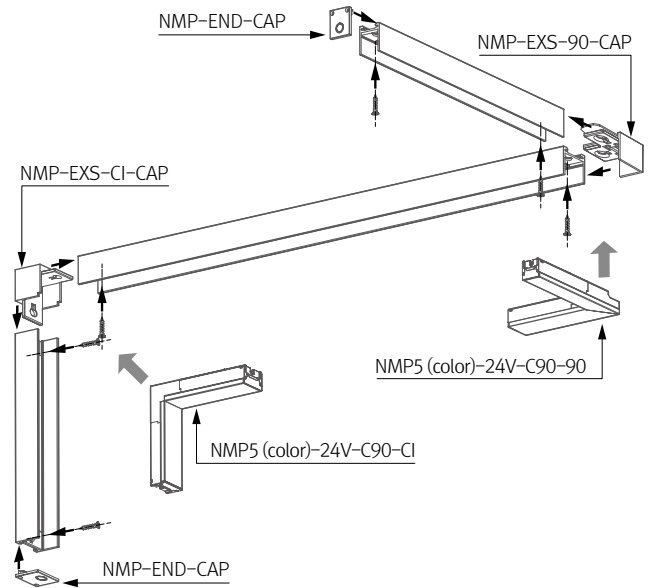


NMP-EXT

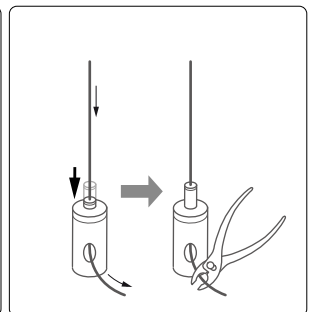
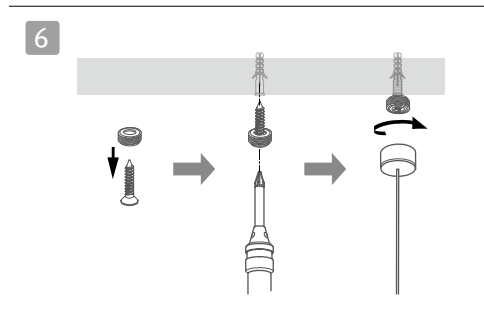
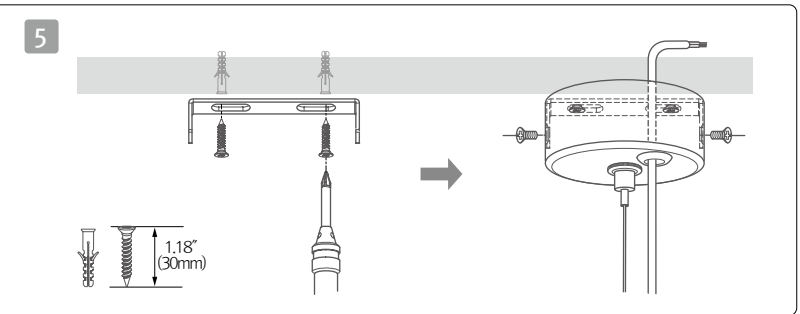
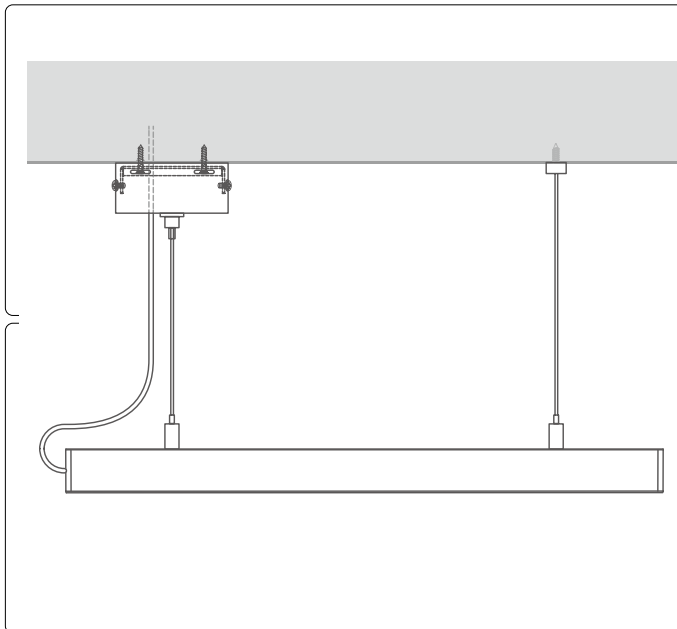
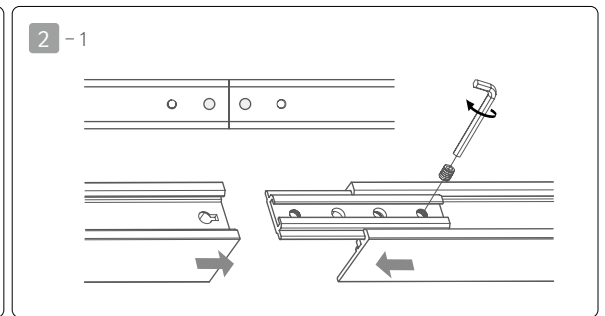
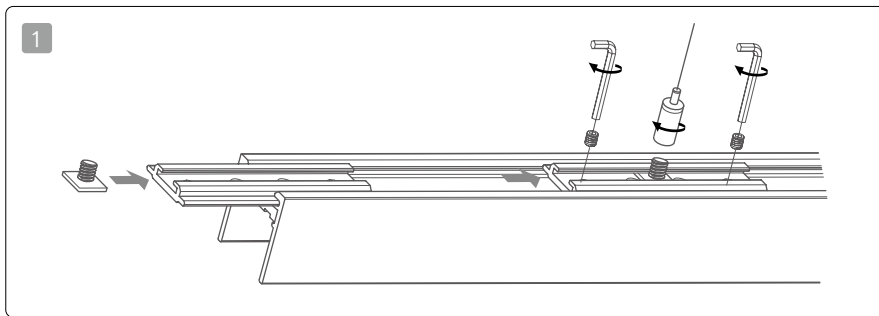
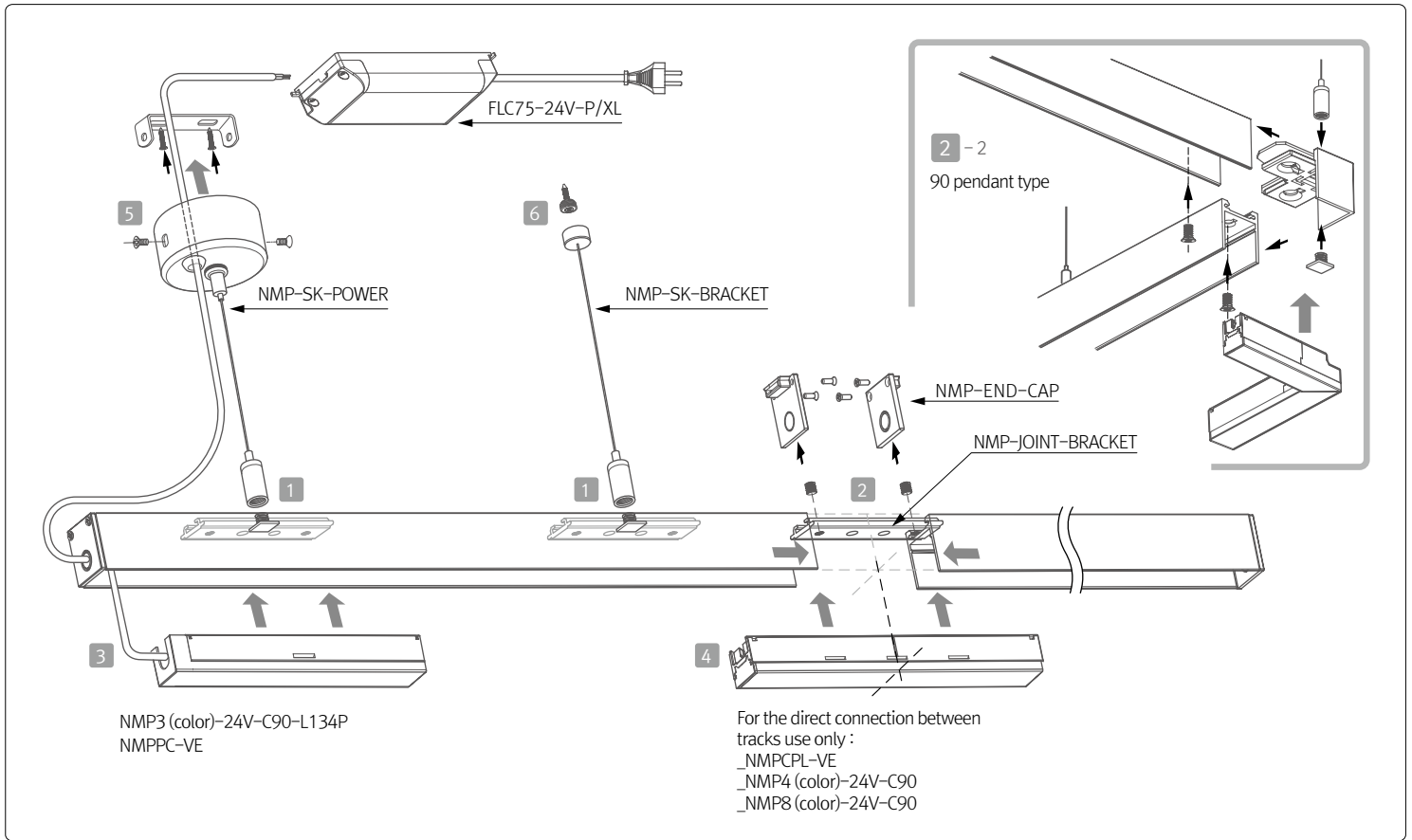
\* Brackets are not required



Extrusion(L)	1.97' (600mm)	3.94' (1200mm)	7.87' (2400mm)
Hole Point	2X2EA	3X2EA	5X2EA

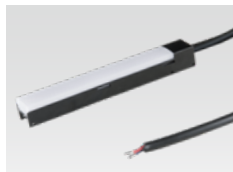


## Installation (continued)

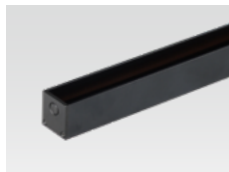




## COMPONENTS



**LED Power Connector**  
\_NMP3(color)-24V-C90-L134P-BK  
\_NMP3(color)-24V-C90-L134P-WT



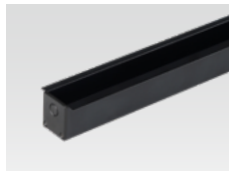
**Surface Track**  
\_NMP-EXS-BK  
\_NMP-EXS-WT



**LED Drivers**  
With distributor and power cord 1800mm(6')  
\_FLC30-24V/XL  
\_FLC75-24V-P/XL



**Power Connector**  
\_NMPPC-VE-BK  
\_NMPPC-VE-WT



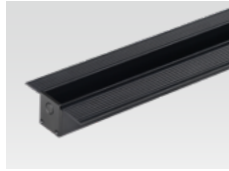
**Recessed Track**  
\_NMP-EXR-BK  
\_NMP-EXR-WT



**12 Port Hub**  
\_D12P-HUB  
Included with Cord and Plug drivers. Order separately for Hard Wire or 3rd Party Drivers



**Direct Connector**  
\_NMPCPL-VE-BK  
\_NMPCPL-VE-WT



**Trimless Track**  
\_NMP-EXT-BK  
\_NMP-EXT-WT



**Hard Wire Driver**  
(90V to 300V)  
  
\_XLD200-224V-FCL-DIM  
\_XLD75-124V-FC



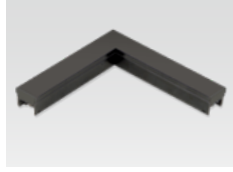
**Corner In Connector**  
\_NMPCPL-CI-BK  
\_NMPCPL-CI-WT



**Track Cover**  
\_NMP-TRACK-COVER-BK  
\_NMP-TRACK-COVER-WT



**Door and motion sensor**  
\_FLS-M24V



**90° Connector**  
\_NMPCPL-90-BK  
\_NMPCPL-90-WT



**Surface Track Corner In Cap**  
\_NMP-EXS-CI-CAP-BK  
\_NMP-EXS-CI-CAP-WT



**Occupancy Sensor**  
\_FLS-P24V



**Power Connector for NMP**  
NMPPC-HE-BK  
NMPPC-HE-WT



**Surface Track 90° Cap**  
\_NMP-EXS-90-CAP-BK  
\_NMP-EXS-90-CAP-WT



**Dimming Interface \***  
(0-10V)  
\_FDC-L10  
Only required for certain Drivers  
Max. 100W (100W/CH, 1CH)



**Connecting Power Connector**  
NMPPTC-HE-BK  
NMPPTC-HE-WT



**Pendent Suspension Power Kit**  
-NMP-SK-POWER



**Fixture Remover**  
\_NMP-REMOVED



**Track to Track Connector**  
NMPCPL-HE-BK  
NMPCPL-HE-WT



**Pendent Suspension Bracket**  
-NMP-SK-BRACKET



**Track End Cap**  
\_NMP-END-CAP  
Included with Track



**Track to Track Corner Connector**  
NMPCPL-HE-L-BK  
NMP-CPL-HE-L-WT



**Track Joint Bracket**  
\_NMP-JOINT BRACKET