

DATE	PROJECT	LOCATION	TYPE
------	---------	----------	------



PRODUCT FEATURES

- Dim to Warm / Tunable White 1800K-3000K
- Link together with FLX series
- Constant Voltage DC 24V driver
- Ultra-Slim Puck Light
- Mill Work Recessed
- Dim 0-10V

PRODUCT SPECIFICATIONS

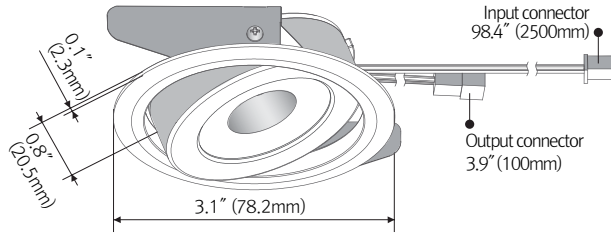
- Voltage : DC 24V
- Operating Temperature : 0-45°C (32-113°F)
- Lamp Life : 50,000hr / 70%
- Available Color : 1,800K~3,000K
- Color Rendering : CRI>90
- Beam Angle: 35° , 50°
- Finishes : Black, White
- Control Options: 0-10V/1-10V, Zigbee
- FDD-L20 required
- 5 year warranty

SPECIFICATION

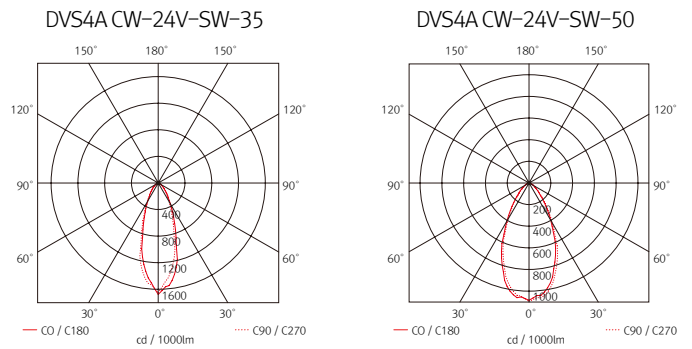
Model Name	Power Input	Lamp Power	Luminous Flux	Luminous Efficacy	Color Rendering Index	Color Temperature	Beam Angle	Operating Temperature
DVS4ACW-24V-SW-WT	DC 24V	3.6 W	292 lm	81 lm/W	CRI > 90	1800K ~ 3000K	35° 50°	0-45°C

DIMENSION

* Type A (Linkable)

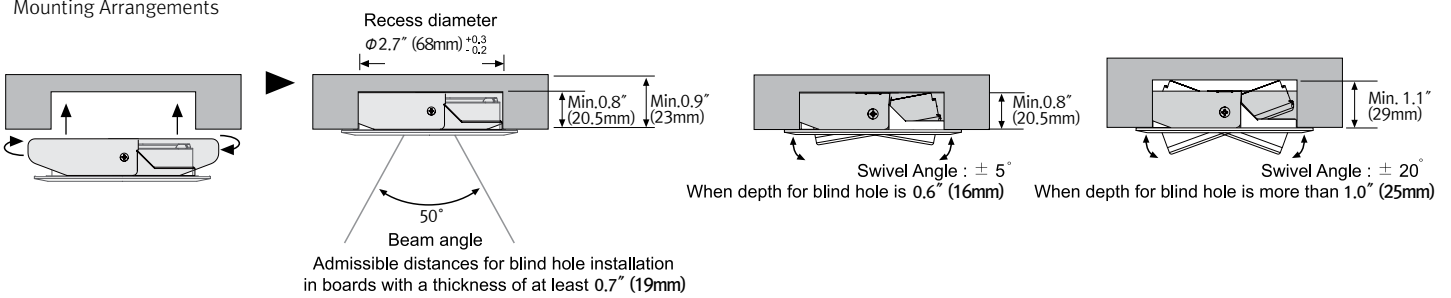


BEAM ANGLE

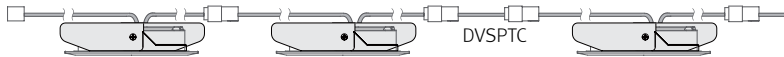


INSTALLATION

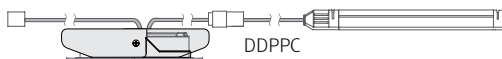
Mounting Arrangements



★ Linkable between FLX Spot DVS Swivel Dim to Warm and FLX Spot DVS Swivel Dim to Warm (Max 7 units connectable)



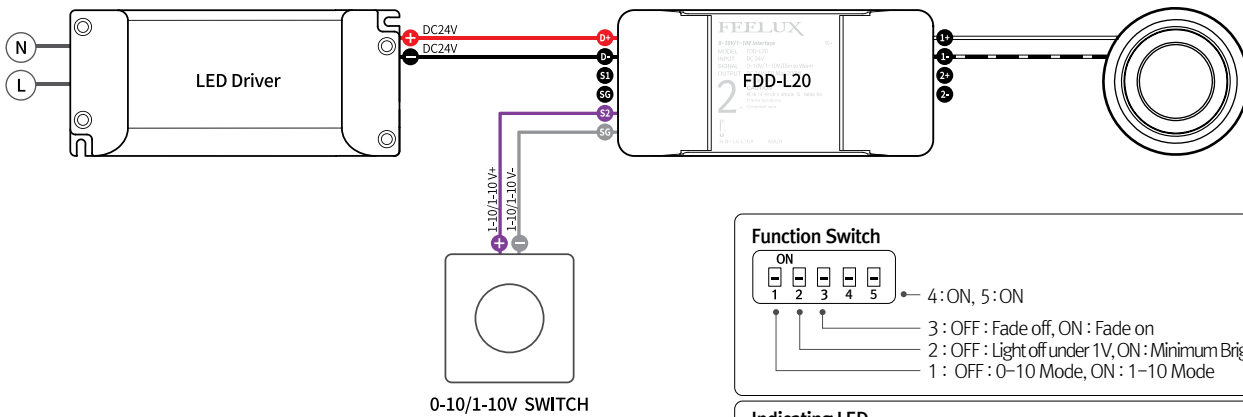
Linkable between FLX Spot DVS Swivel Dim to Warm & FLX Stix DDPro



VARIOUS OPTIONS



Dim to Warm Mode



Function Switch

- 4: ON, 5: ON
- 3: OFF : Fade off, ON : Fade on
- 2: OFF : Light off under 1V, ON : Minimum Brightness under 1V
- 1: OFF : 0-10 Mode, ON : 1-10 Mode

Indicating LED

- PWR(RED LED)**
: Light on when Interface is powered
- SIG(GREEN LED)**
: Blinks 2 times per second

COMPONENTS

	<p>FLX Spot DVS Swivel Dim to Warm __DVS4A CW-24V-SW-WT __DVS4A CW-24V-SW-BK</p>		<p>Dimming Interface (0-10V/1-10V) __FDD-L20</p>		<p>12 Port Hub __ D12P-HUB Included with Cord and Plug drivers. Order separately for Hard Wire or 3rd Party Drivers</p>
	<p>Extension Cable __DVSPTC (2,500mm)</p>		<p>Dimming Interface __FDC-L10 Max. 100W (100W/CH, 1CH) 0-10V Signal</p>		<p>LED Drivers __FLC30-24V/XL (30W) * __FLC75-24V/XL (75W) * with distributor and power cord 1,800mm(6')</p>
	<p>Connecting cable __NDPDVSPCT (1,000mm/39.37")</p>				<p>Driver Junction Box __ MHWB-FLE</p>
	<p>Connecting cable __NDPPC (2,500mm/98.43")</p>				<p>Hard Wire Driver __XLD200-224V-FCL-DIM __XLD75-124V-FC * (90V to 300V)</p>

A larger selection of drivers are available including remote and hard wire drivers. Please consult factory.