

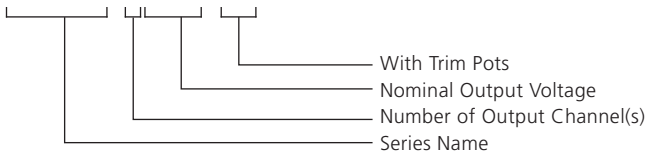
XLD75-124V-FC

UL/cUL Listed LED Driver



MODEL SELECTION KEY

XLD75-124V-FC



CLASS 2 75 WATT LED DRIVER

The XLD series is a standalone unit, uniquely patented, and conduit-ready. The LED power supply will enable complete installation of your system without having to install external junction boxes saving you invaluable time and money. Efficient, reliable and easy to install, the XLD 75 (75 Watt power rating) is fully potted and works in extremely low temperature environments (-40°C– 60°C). With user adjustable output voltage and current pots, the universal input 90-305 VAC is suitable for a wide range of high powered LED lighting applications enabling outdoor LED lighting systems.

FEATURES

- UL Listed LED Driver
- Reduces installation time
- Eliminates need for external junction boxes
- Wide Input Voltage: 90-305 V_{AC}
- High Efficiency: Active PFC
- Low Operating Temperature: 40°C to 60°C
- 0-10V Dimming – FDC-L10 Interface required.
- 5 Years Warranty
- No Minimum Load



Model Number	Voltage Input Range (V _{AC})	Channel(s) Output	CV mode				Max Output Power (per Channel)(W)	Total Output Power (W)	
			Preset Vout (V _{oc})	Load Range (per Channel) (A)		Voltage Pot Adjustable Range (V _{oc})			
				min	max	min			max
XLD75-124V-FC	90-305	1	24	0	3.30	16.8	25.2	75	75

FC = Patented, easy install enclosure with integral wiring compartments

SPECIFICATIONS ARE SUBJECT TO CHANGE AT MANUFACTURER'S DISCRETION AND WITHOUT NOTICE.

INPUT SPECIFICATION

Voltage Range	Frequency Range	Max Inrush Current	Power Factor	THD
90-305 VAC (NOM: 120/240/277 VAC)	47-63 Hz	50A@230 VAC input, 25°C, cold start-up	0.9 min @ 100-277 VAC, Full load	< 25% @ full load

OUTPUT SPECIFICATION

Max Power	75W	Transient Response	8 mS, full load to Half load, 100 VAC Input
Line Regulation	+/- 1% Max	Short Circuit Protection	Hiccup-Mode, Auto-Recovery upon removal of short circuit condition.
Efficiency	230 V _{AC} input, Full Load, See model table page	Constant Voltage (CV) Mode Load Regulation	+/- 5% Max (Voltage Setting Adjustable via on-board pot: +5%/-30%)
Over Current Protection	125% Max	Over Voltage Protection	132% Max
Hold-up Time	2 mS @ full load, 120V _{AC} input	Start-up Time	2 sec. Typical@start-up to full load, 120V _{AC} input
		Over temperature Protection	105°C Max, Hiccup-Mode, Auto-Recovery

*All noise measurements made at the output terminals, connected to a 20MHz low pass filter

ENVIRONMENTAL SPECIFICATION

MTBF	Cooling	Operating Temp	Storage Temp	Relative Humidity
55,000 hours (Full load @ 25°C Ambient, Based on MIL-217F)	Convection	-40°C to 60°C (Full load)	-40°C to 85°C	5% - 95%

DIMMING
0-10V DC
FDC-L10 INTERFACE REQUIRED

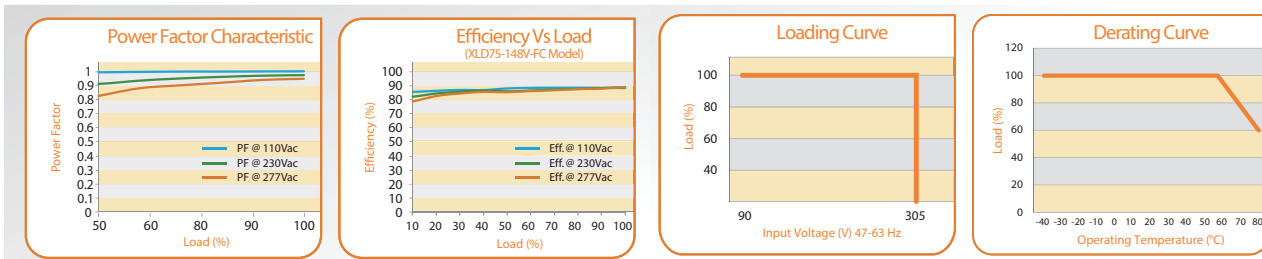
COMPLIANCE / SAFETY

EMI/RFI	CISPR-22 Class B FCC part 15 Class B EN 55015
Safety Standards	UL 1012/1585, UL8750, UL Class 2 Wet Locations, UL 48, cUL, CE, UL #: E342485
Weatherability	EN60529 IP 65

MECHANICAL

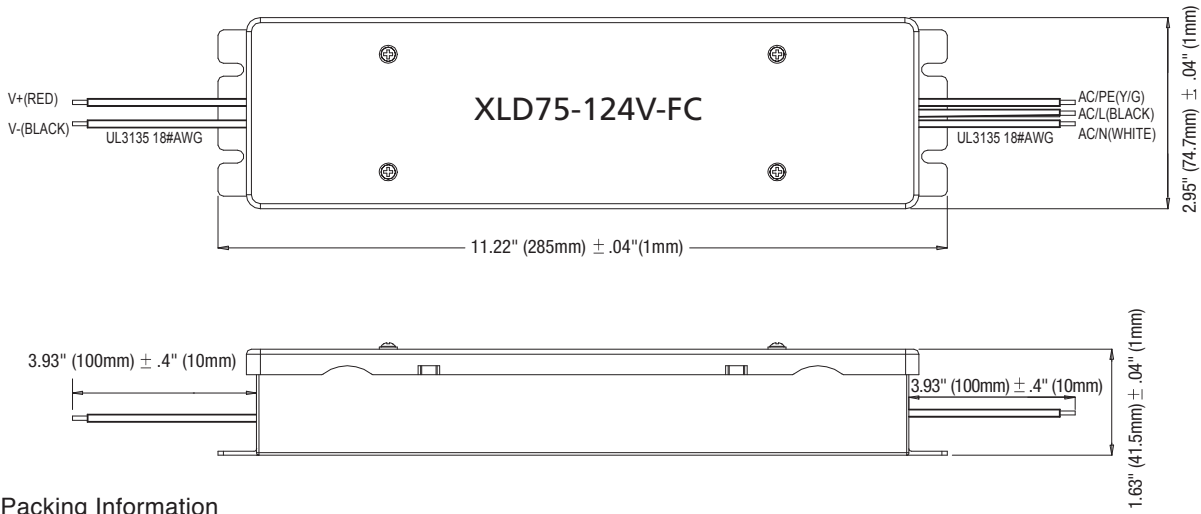
Material	NEMA 3 Design with patented AC and DC Wiring compartments, fully potted PCB.
----------	--

RELIABILITIES CURVES



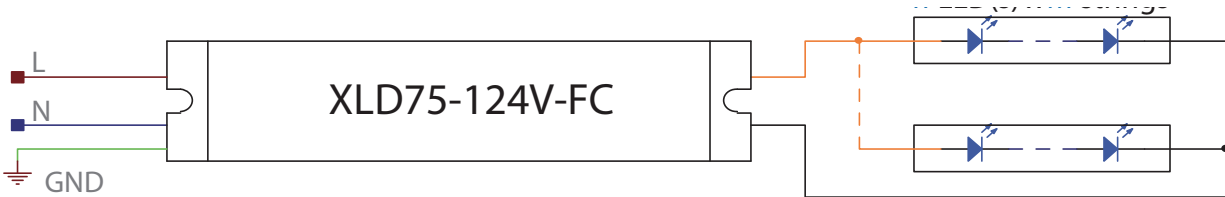
SPECIFICATIONS ARE SUBJECT TO CHANGE AT MANUFACTURER'S DISCRETION AND WITHOUT NOTICE.

MECHANICAL DIAGRAM

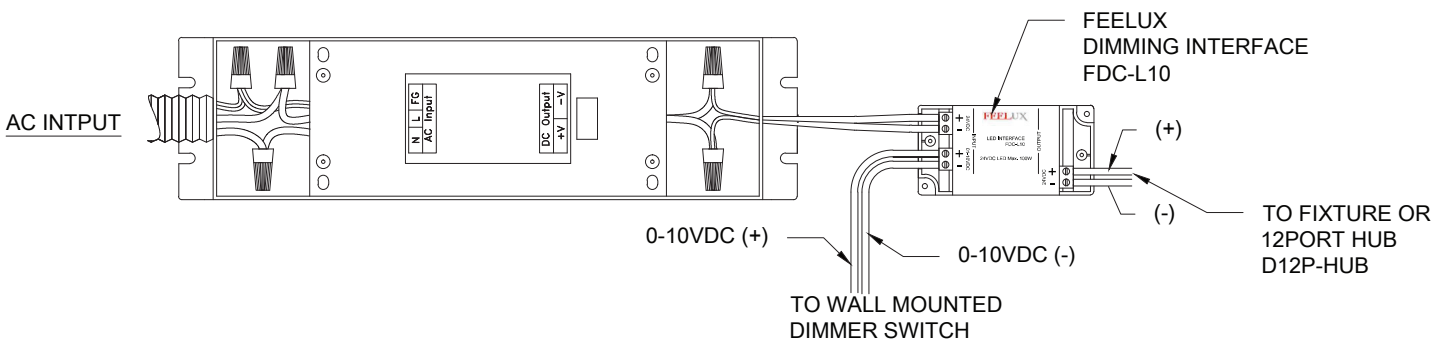


Packing Information
2.11lbs/pcs

CONFIGURATION ARRAYS



FEELUX XLD75 DRIVER INTERFACE FDC-L10



SPECIFICATIONS ARE SUBJECT TO CHANGE AT MANUFACTURER'S DISCRETION AND WITHOUT NOTICE.