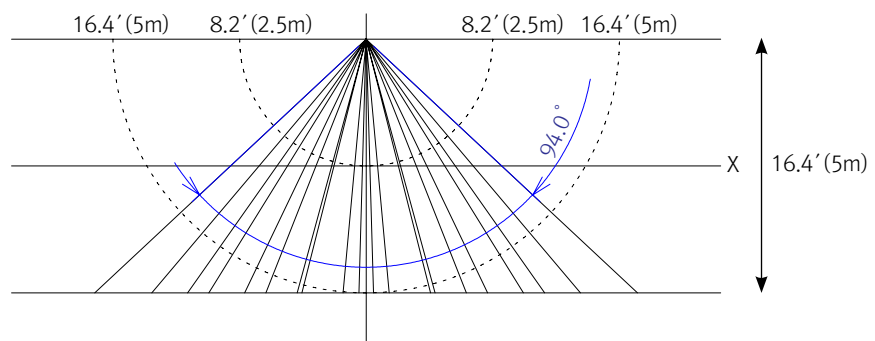


HDP-OSM

Occupancy Sensor Inline Module

Specifications

Input Voltage	DC 24V With Constant Voltage LED Convertor (Only CV Mode)
Output Voltage	DC 24V PWM Output (1kHz)
Output Power	Max. 75W
Dimming Range	1-100%
Dimming Curve	Linear
Sensing Technology	PIR
Timeout	30 seconds
Operating Temperature	0°C ~ 50°C
Coverage	5M, 16.4ft (Ceiling height 5M) * Coverage of PIR sensor may varies by ceiling height
Detection Angle	94°



Product Dimensions, weight

Dimensions	W72.4 X L15 H15 (mm)
	W2.85 X L0.59 H0.59 (in)
Weight	20g

