

## FLXible Neon 2

Super Slim Flexible LED With Spot-free Output

Curve Perfection with FLXible Neon



- Bend direction Vertically
- Ultra Slim spot free illumination
- Dimmable with 0-10V, Forward/Reverse Phase
- Indoor and Outdoor Application
- Field Cuttable (38.5mm) for customized length
- Available in Standard Lengths of 1, 2, 3, 4, 5M reels





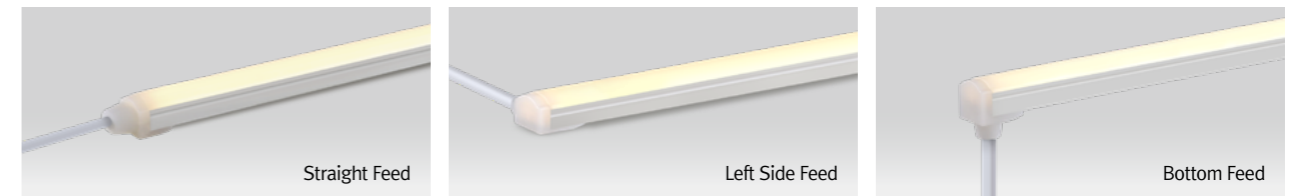


**Specification**

| Model Number   | Power Input | Lamp Power | Lumens/m | Color Temperature | Color Rendering | Operating Temperature |
|----------------|-------------|------------|----------|-------------------|-----------------|-----------------------|
| FN2 22K-24V-1M | DC 24V      | 12.5 W     | 653 lm   | 2,200K            | Ra > 80         | -10°C to 50°C         |
| FN2 27K-24V-1M | DC 24V      | 12.5 W     | 702 lm   | 2,700K            | Ra > 80         | -10°C to 50°C         |
| FN2 30K-24V-1M | DC 24V      | 12.5 W     | 709 lm   | 3,000K            | Ra > 80         | -10°C to 50°C         |
| FN2 35K-24V-1M | DC 24V      | 12.5 W     | 837 lm   | 3,500K            | Ra > 80         | -10°C to 50°C         |
| FN2 40K-24V-1M | DC 24V      | 12.5 W     | 837 lm   | 4,000K            | Ra > 80         | -10°C to 50°C         |

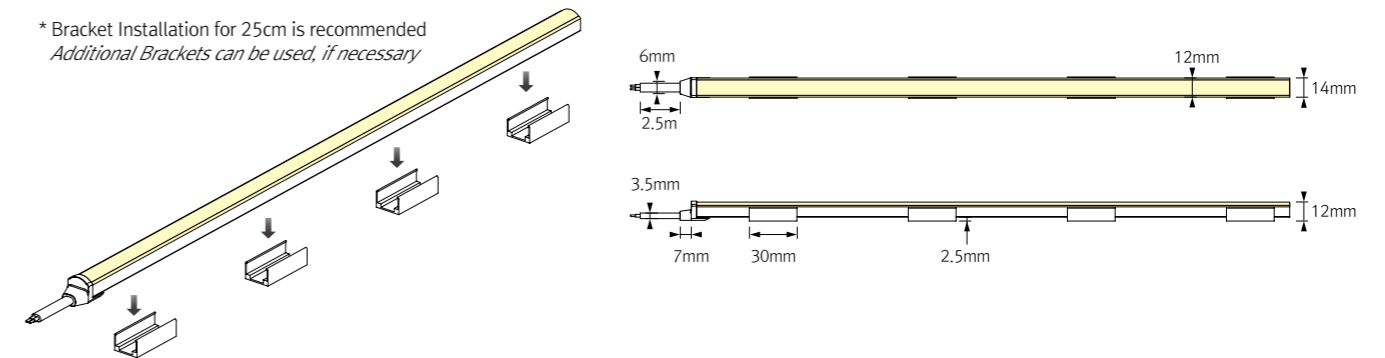
\* IP Rate  
 IP67 with Factory Termination (Customized Length Available)  
 IP65 with Field Termination  
 IP20 with Indoor Termination

**Powerfeed type**

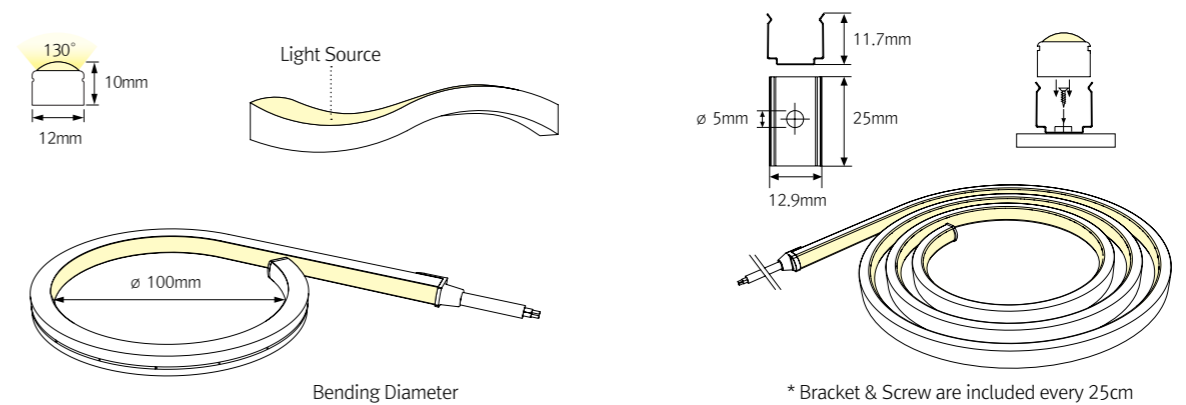


**Installation**

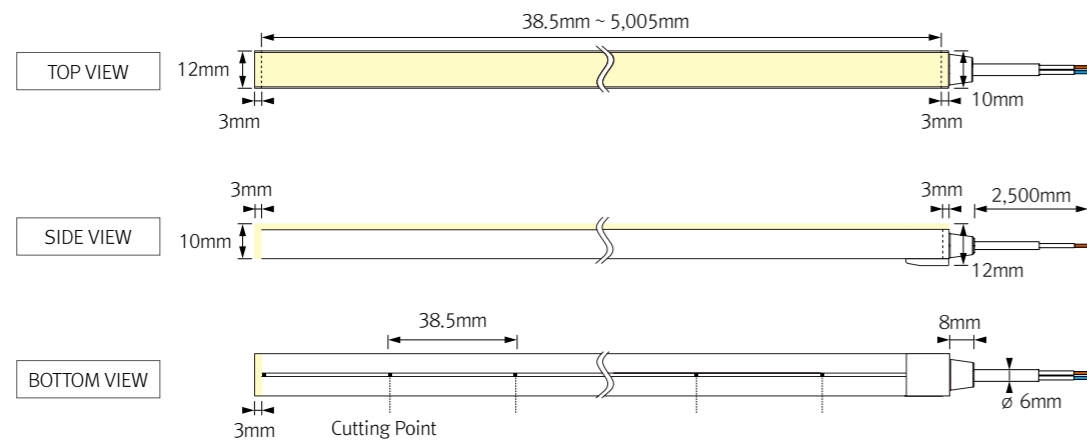
\* Bracket Installation for 25cm is recommended  
 Additional Brackets can be used, if necessary



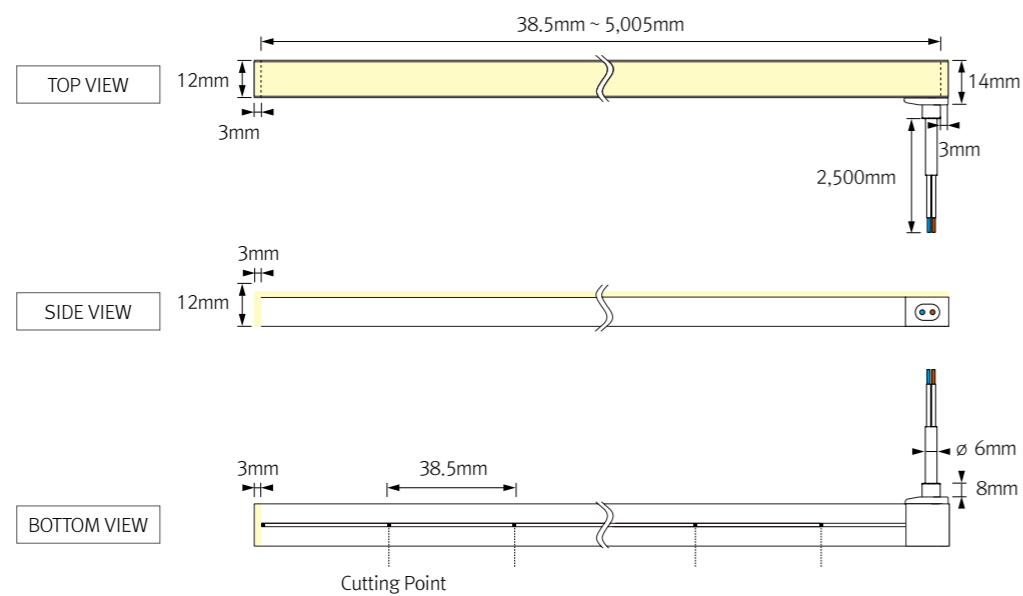
**Physical specifications**



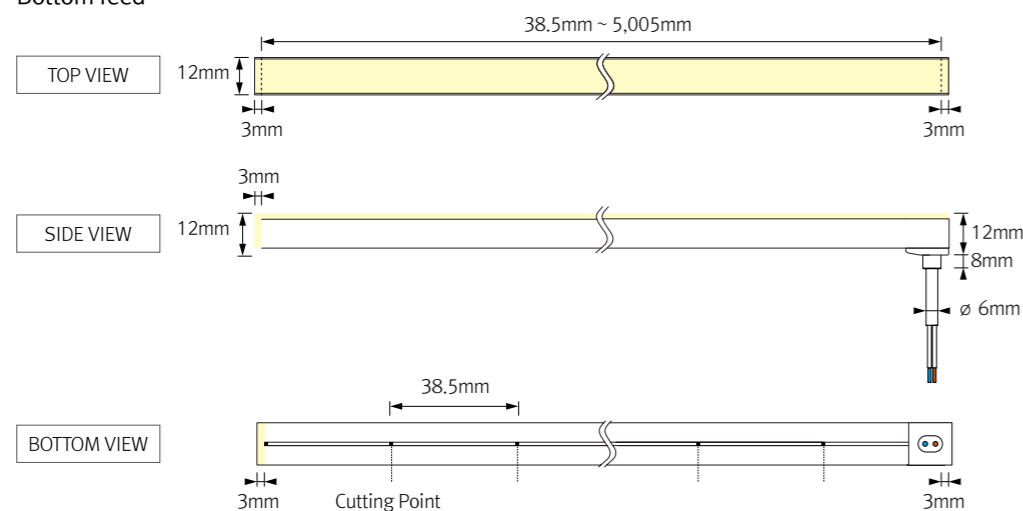
Straight Feed



Left Side Feed



Bottom feed



FLXible Neon can be cut every 38.5mm. Please follow the cutting point mark to cut precisely as needed.

Accessories

Ⓐ FLXible Neon 2 Straight Feed (Customized Length Available)

- FN2 40K-24V (5m)      FN2 40K-24V (2m)
- FN2 40K-24V (4m)      FN2 40K-24V (1m)
- FN2 40K-24V (3m)

Ⓑ FLXible Neon 2 Left Side Feed (Customized Length Available)

- FN2 40K-24V-LS (5m)      FN2 40K-24V-LS (2m)
- FN2 40K-24V-LS (4m)      FN2 40K-24V-LS (1m)
- FN2 40K-24V-LS (3m)

Ⓒ FLXible Neon 2 Bottom Feed (Customized Length Available)

- FN2 40K-24V-BS (5m)      FN2 40K-24V-BS (2m)
- FN2 40K-24V-BS (4m)      FN2 40K-24V-BS (1m)
- FN2 40K-24V-BS (3m)

Ⓓ Mounting Brackets

- FN2-BRACKET1, 1set = 4pcs

Ⓔ FN2 Extrusion Line (1,200mm)

- FN2-EXL

Ⓕ Transparent Brackets

- FN2 - BRACKET1-T

Ⓖ Expanding Stick

- FN-EPS

Ⓗ Indoor Power Cable (Max.62.5W)

- FN2-INPC (2,500mm) with END CAP

Ⓘ Indoor Power Cable Bottom Feed (Max.62.5W)

- FN2-INPC-BS (2,500mm) with END CAP

Ⓛ Indoor Direct Connector

- FN2-INCP

Ⓚ Indoor Connecting Cable

- FN2-INPTC (150mm)      FN2-INPTC4 (1,200mm)
- FN2-INPTC1 (300mm)      FN2-INPTC6 (1,800mm)
- FN2-INPTC2 (600mm)

Ⓛ Field Termination

- FN2-FTKIT

Ⓜ LED Driver with 12way distributor, with power cord (1,800mm)

| Part No  | FLC30-24V/T | FLC75-24V-P/T |
|----------|-------------|---------------|
| Capacity | 30W 24V     | 75W 24V       |

Ⓝ LED Driver : FLC200-24V/T (200W, DC24V)

- LED Driver with 12way distributor

Ⓞ Dimming Interface (0-10 V) : FDC-L10

- Max. 100W (100W/CH, 1CH)

Ⓟ Dimming Interface (0-10/1-10, DMX512)

- FDA-L2M0 : Max. 200W (100W/CH, 2CH)
- FDA-L5M : Max. 200W (50W/CH, 5CH)

Ⓠ Dimming Interface (Dai): FDD-L1DA

- Max. 200W (100W/CH, 1CH)

