

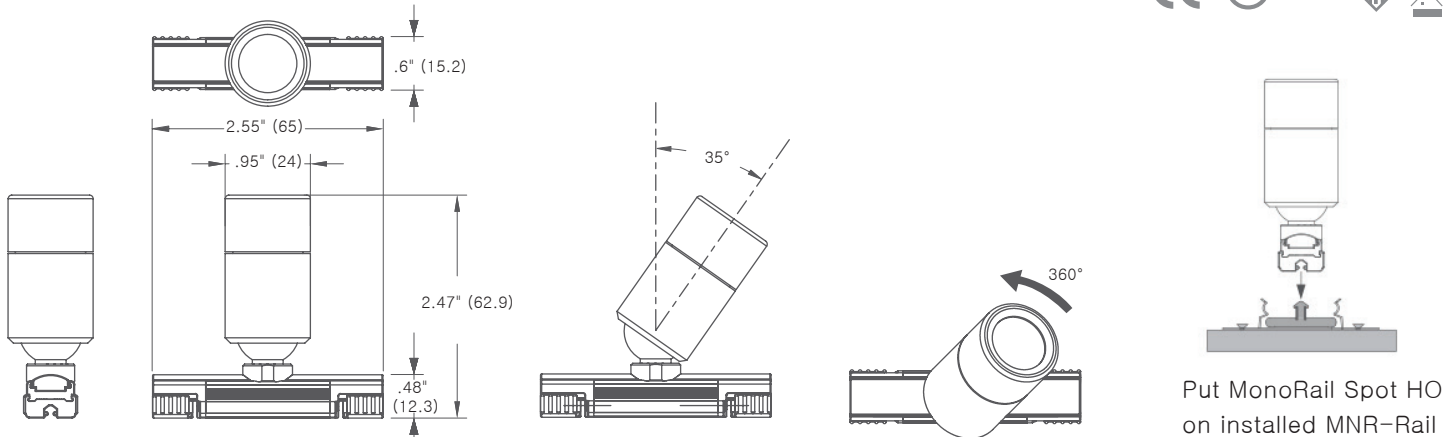
PRODUCT FEATURES

- Compatible with MonoRail system
- Slide and swivel LED spotlight
- Simple Plug and Play connection to the power track
- Available in silver, black
- Dim 0-10V

PRODUCT SPECIFICATIONS

- Voltage: DC 24V
- Operating temperature: 32-113°F (0-45°C)
- Lamp Life: 50,000hr / 70%
- Available color : 2700K, 3000K, 3500K, 4000K
- CRI/Ra>85
- Lumen Output: 195
- Degree of protection: IP20
- Beam Angle: 45°(STD), 25°, 60° available lens options
- Total energy consumption of 2.6W

INSTALLATION



LOOSEN LENS CAP, AIM, AND TIGHTEN

**SPECIFICATION GUIDE** NOT TO BE USED FOR ORDERING. The Specification Guide is intended solely to ensure that all options are considered.

MODEL	COLOR	BEAM	MOUNTING	FINISH	DRIVER	CONTROLS	VOLTAGE
MRS3			MONORAIL				
	27K -2700K 30K -3000K 35K -3500K 40K -4000K	25 Degree 45 Degree 60 Degree		BK -Black SV -Silver WH -White	CP - Cable/Plug HW - Hard Wire TD - 3rd Party Drivers Consult Factory	NDM Non-Dim FDC 0-10V Interface	

For Anti-glare snoot, please add AG to part number.

For all other MonoRail System components please refer to MonoRail and MonoRail Pro specification sheets