

PRODUCT FEATURES

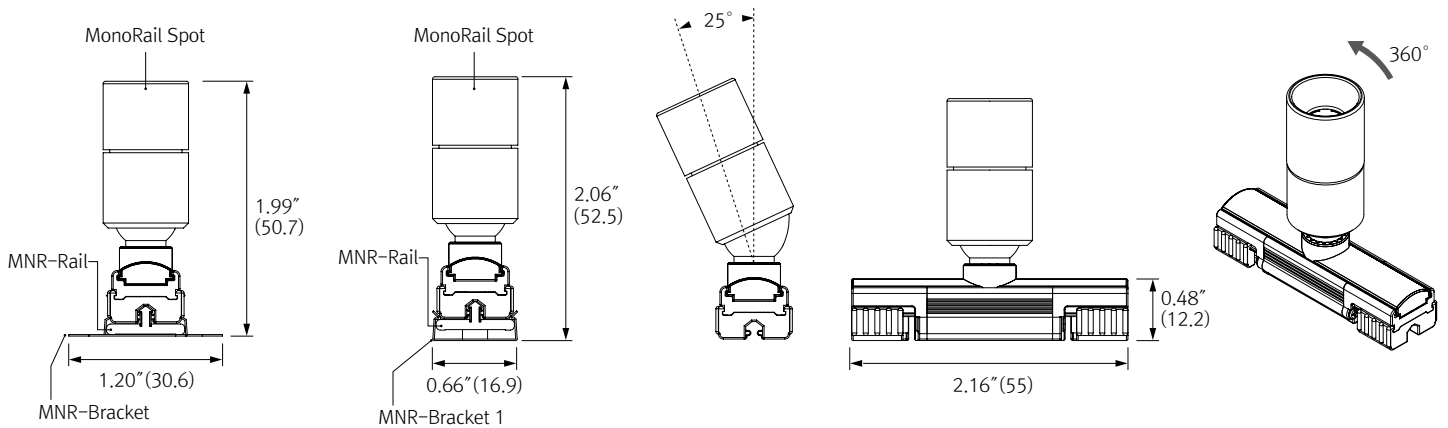
- Compatible with MonoRail system
- Slide and swivel LED spotlight
- Simple Plug and Play connection to the power track
- Available in silver, black
- Dim 0-10V

PRODUCT SPECIFICATIONS

- Voltage: DC 24V
- Operating temperature: 32-113°F (0-45°C)
- Lamp Life: 50,000hr / 70%
- Available Color: 2700K, 3000K, 3500K, 4000K
- CRI/Ra>85
- Lumen Output: 95
- Degree of protection: IP20
- Beam Angle: 35° (STD), 15° available lens option
- Total energy consumption of 1.3W



INSTALLATION



SPECIFICATION GUIDE

NOT TO BE USED FOR ORDERING. The Specification Guide is intended solely to ensure that all options are considered.

MODEL	COLOR	BEAM	MOUNTING	FINISH	DRIVER	CONTROLS	VOLTAGE
MRS1	27K -2700K 30K -3000K 40K -4000K	15 Degree 35 Degree	MONORAIL	BK Black SV Silver	CP- Cable/Plug HW - Hard Wire TD - 3rd Party Drivers Consult Factory	NDM Non-Dim FDC 0-10V Interface	

* For all other MonoRail System components please refer to MonoRail and MonoRail Pro specification sheets