

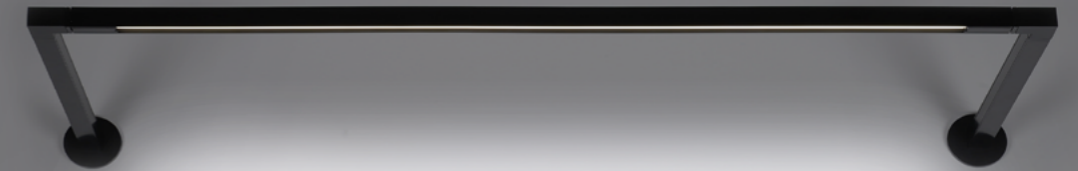
NDPro Showcase Arm

LED for Showcase and Display

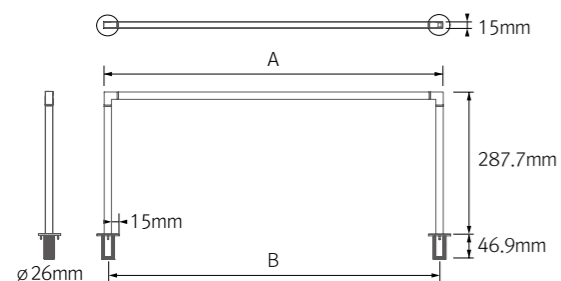
Rotatable Arm for NDPro



- Aluminum body with rotating top bar
- Easy assembly with NDPro fixture
- Various length available
- Ideal for showcase or exhibition



Dimensions

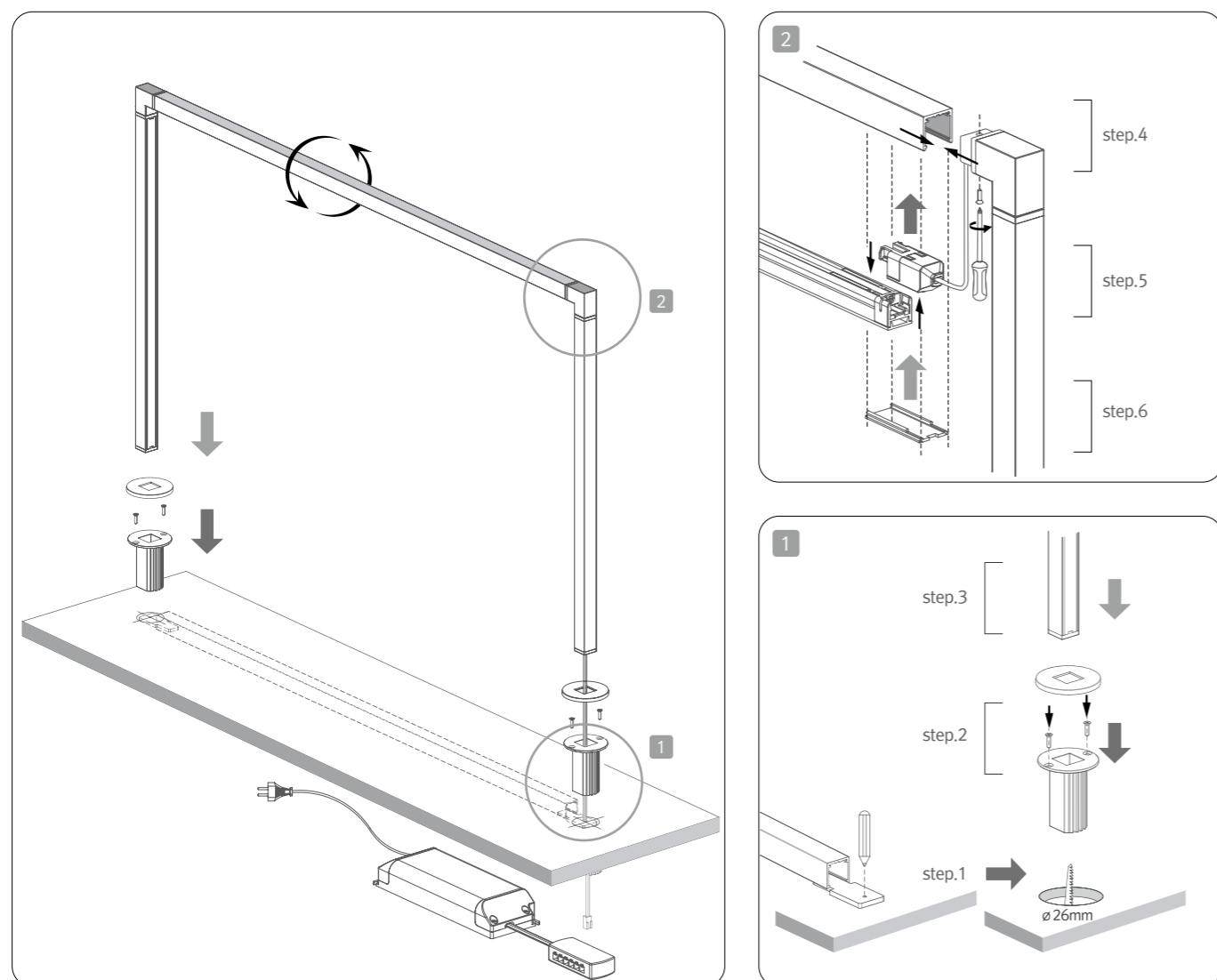


NDPro Showcase Arm for	Lamp Power	Lumens (4000K)	A (Top Length)	B (Recommended Distance for Mounting Holes)
NDP4 40K-24V-C90	3.6 W	259 lm	396.5mm	381mm
NDP7 40K-24V-C90	7.1 W	515 lm	676.5mm	661mm
NDP11 40K-24V-C90	10.8 W	823 lm	955.5mm	940mm
NDP15 40K-24V-C90	14.4 W	1,032 lm	1,234.5mm	1,219mm

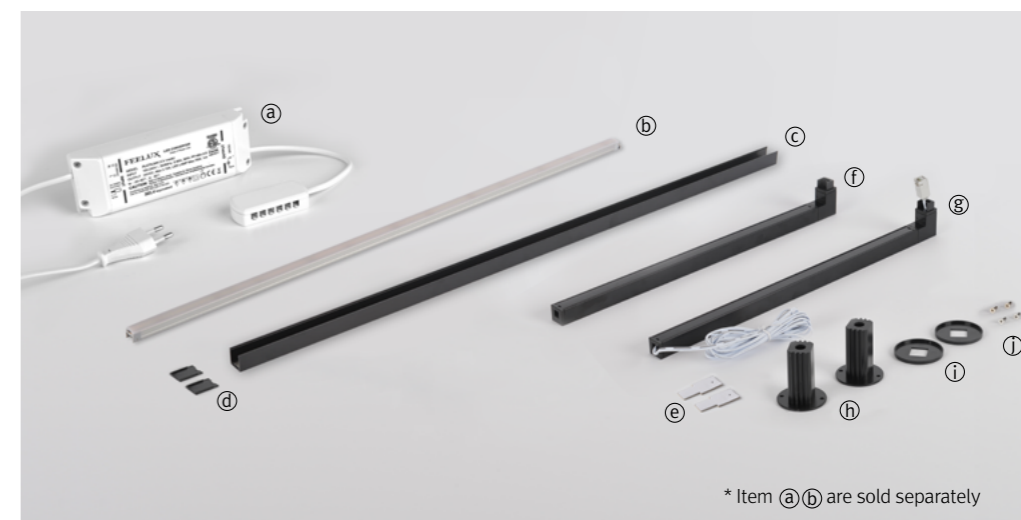
Various options



Installation



Required Accessories



* Item (a)(b) are sold separately

- (a) LED Driver
 - (b) FLX Stix NDPro
 - (c) Top Bar
 - (d) Fix Cover
 - (e) Hole guide
 - (f) Side Pole
 - (g) Power Pole
 - (h) Mounting Base
 - (i) Mounting Base Cover
 - (j) Screw
- NDProTop Bar
- NDP Showcase Arm Kit

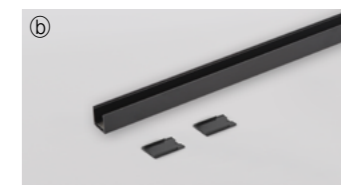
Accessories

(a) NDP Showcase Arm Kit : NDP-SA-KIT



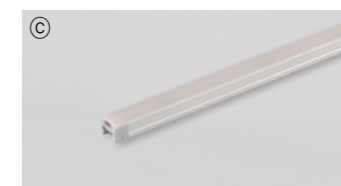
(b) NDPro Top Bar

- NDP4TB
- NDP7TB
- NDP11TB
- NDP15TB



(c) NDPro Fixture

- NDP4 40K-24V-C90
- NDP7 40K-24V-C90
- NDP11 40K-24V-C90
- NDP15 40K-24V-C90



(d) LED Driver with 12way distributor, with power cord (1,800mm)

Part No	FLC30-24V/T	FLC75-24V-P/T
Capacity	30W 24V	75W 24V

